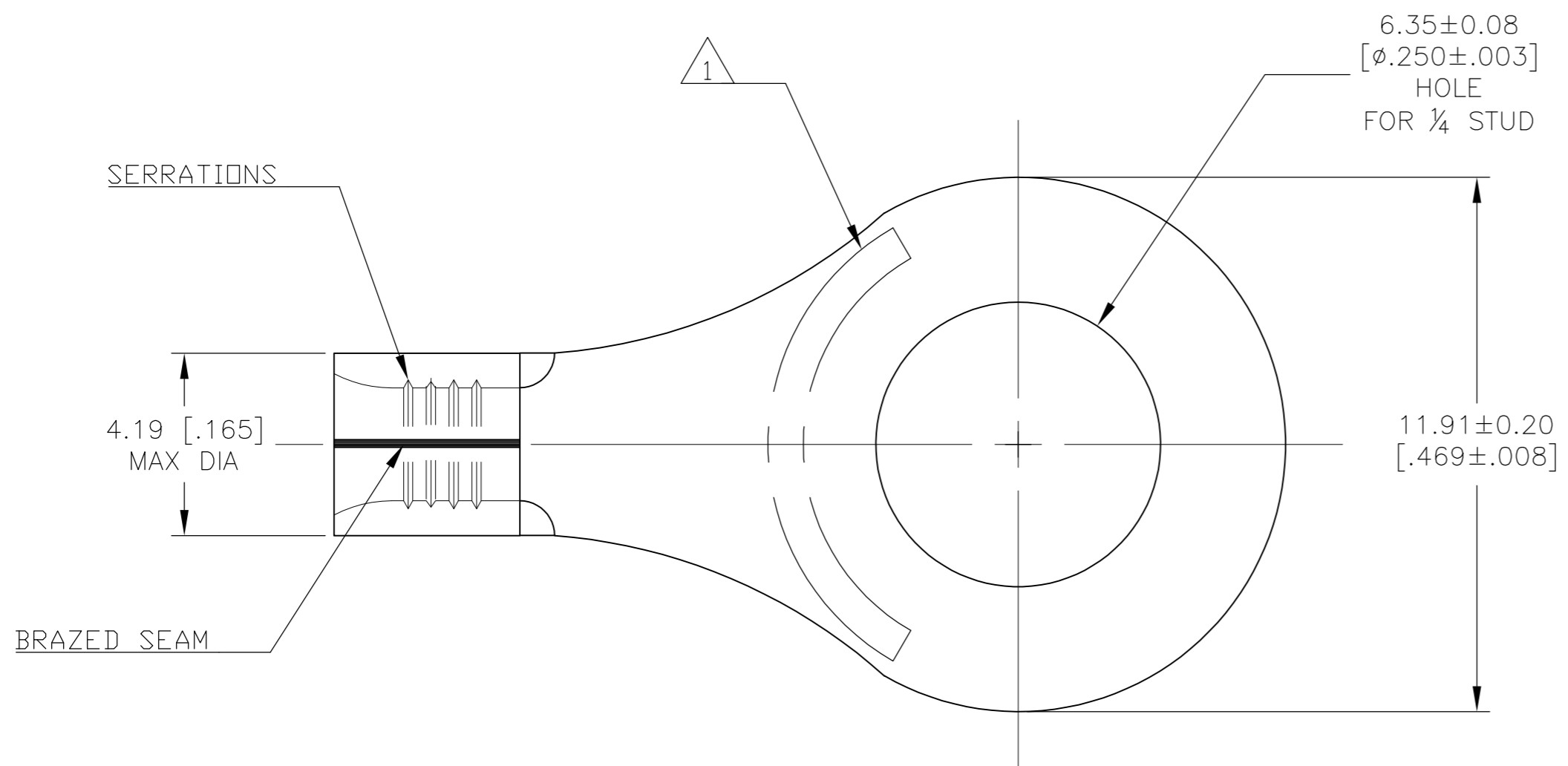


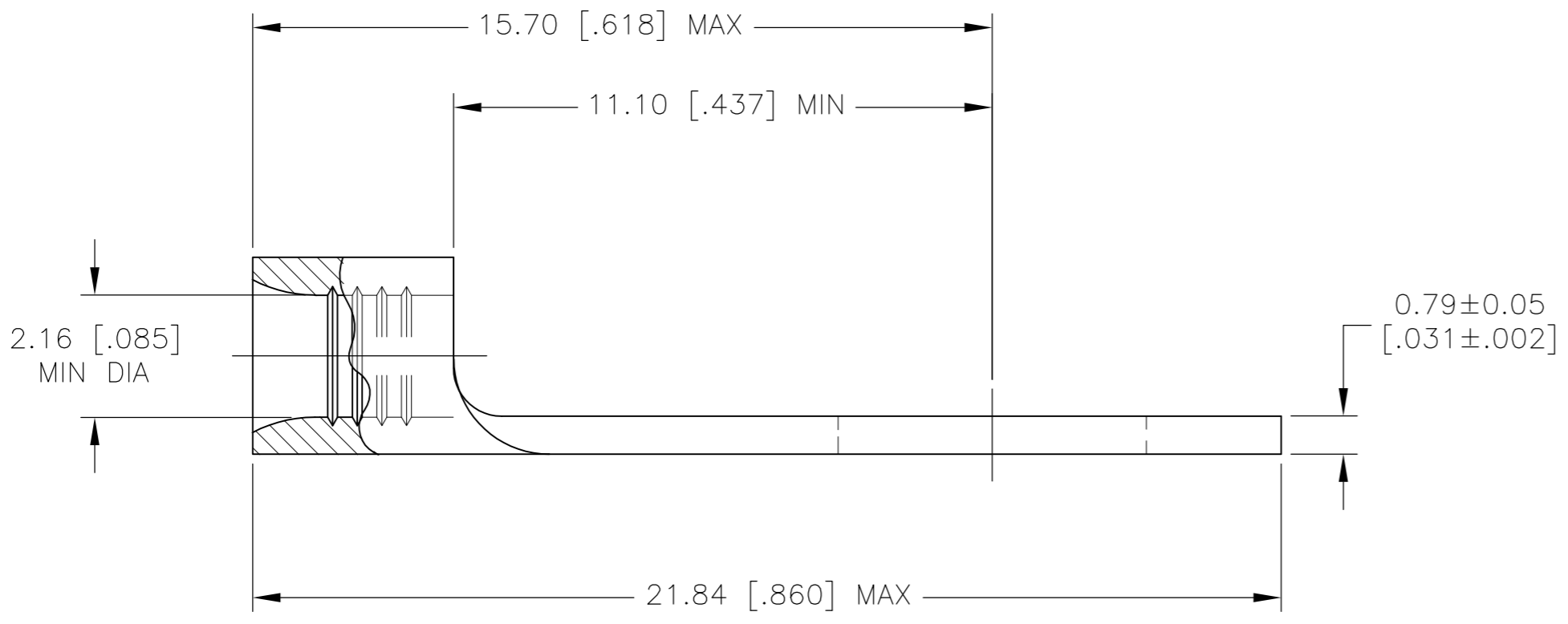
THIS DRAWING IS UNPUBLISHED. RELEASED FOR PUBLICATION  
 © COPYRIGHT BY TYCO ELECTRONICS CORPORATION. ALL INTERNATIONAL RIGHTS RESERVED.

LOC	DIST	REVISIONS			
P	LTR	DESCRIPTION	DATE	DWN	APVD
G	14	B	DRAWN	01MAR10	JR TM



<b>AMP</b> WIRE RANGE	Listed FILE E13288	LR7189 Certified
16-14 AWG SOLID OR STRANDED	16-14 AWG SOLID OR STRANDED	16-14 AWG SOLID OR STRANDED

- 1 STAMP AMP 16-14\* APPROX AS SHOWN
- 2 0.00254 [ $.000100$ ] MIN TIN PER ASTM B-545.
- 3 SUPERSEDED BY 130130



FINISH	QTY	PACKAGING TYPE	PART NO.
2	100	LOOSE PIECE, BOX	8-130130-1
2	5000	ON TAPE	2-130130-1
2	1000	LOOSE PIECE	130130

**AMP INCORPORATED  
CUSTOMER SERVICE SYSTEMS**

FOR ADDITIONAL PRODUCT INFORMATION OR COPIES OF DRAWINGS AND TECHNICAL DOCUMENTS: PRODUCT INFORMATION CENTER 1-800-522-6752

FOR APPLICATION TOOLING ASSISTANCE CENTER: TOOLING ASSISTANCE CENTER 1-800-722-1111

FOR ORDER ENTRY: 1-800-526-5142

MAX RECOMMENDED OPERATING TEMPERATURE: 105°C [221° F]

VOLTAGE RATING: 600V MAX (1000V FIXTURE OR SIGN)

CIRCULAR MIL AREA: 1.04-2.62mm<sup>2</sup> [2,050-5,180] SOLID OR STRANDED

THIS DRAWING IS A CONTROLLED DOCUMENT FOR AMP INCORPORATED. IT IS SUBJECT TO CHANGE AND THE CONTROLLING ENGINEERING ORGANIZATION SHOULD BE CONTACTED FOR THE LATEST REVISION.

THIS DRAWING IS A CONTROLLED DOCUMENT.

DIMENSIONS: MM [ INCHES ]

TOLERANCES UNLESS OTHERWISE SPECIFIED:

0 PLC	± -
1 PLC	± -
2 PLC	± 0.20 [.008]
3 PLC	± -
4 PLC	± -
ANGLES	± -

MATERIAL: COPPER PER ASTM B-152 ANNEALED

FINISH: SEE TABLE

APVD: JR RUTH, TOM MICHIELUTTI, TOM MICHIELUTTI

CHK: TOM MICHIELUTTI

APVD: TOM MICHIELUTTI

PRODUCT SPEC: -

APPLICATION SPEC: -

WEIGHT: -

SCALE: 8:1

SHEET: 1 of 1

REV: B

SIZE: A2

CAGE CODE: 00779

DRAWING NO: 130130

RESTRICTED TO: -

CUSTOMER DRAWING