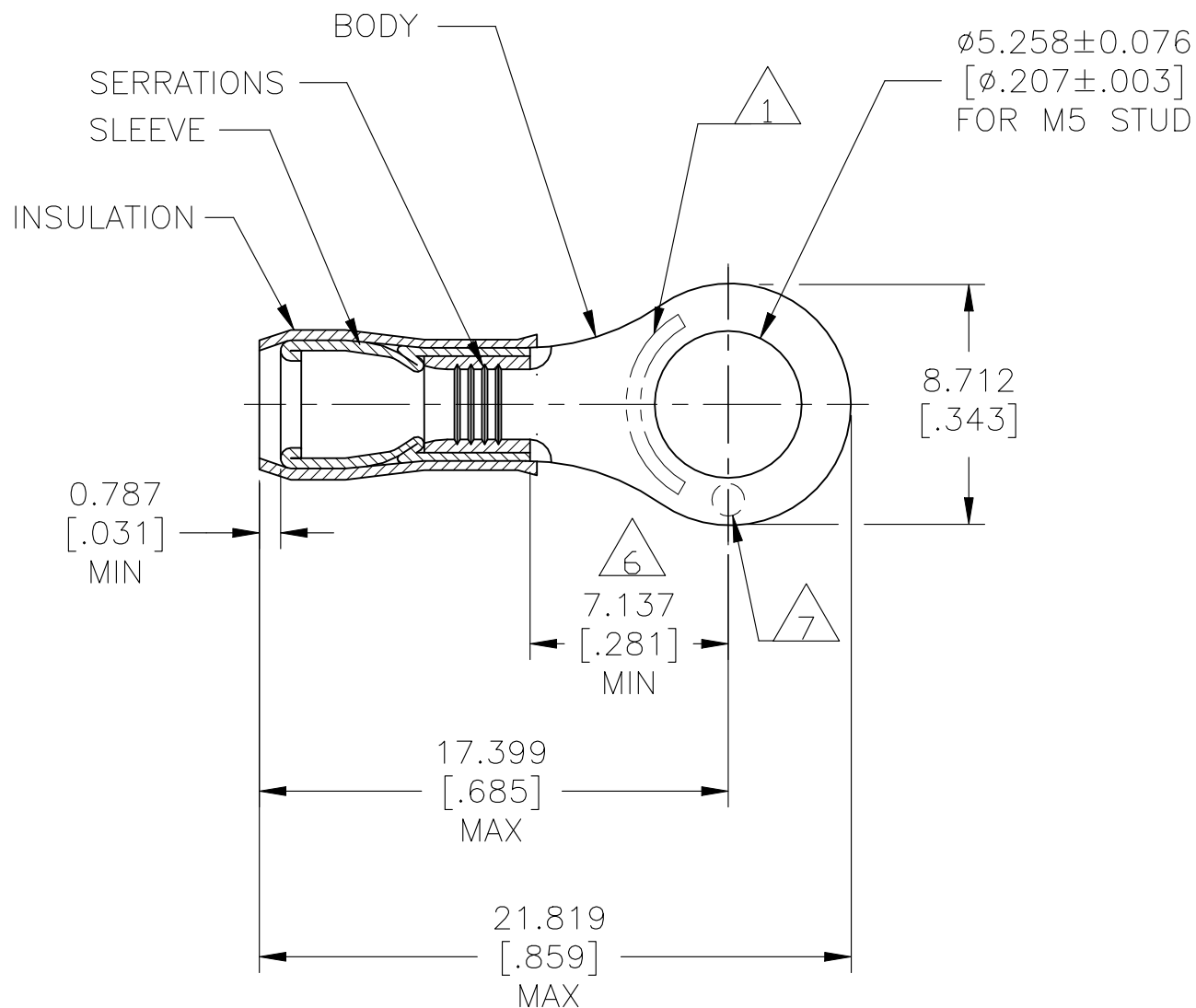


REVISIONS				
P	LTR	DESCRIPTION	DATE	APVD
	L	REVISED PER ECR-23-181664	04AUG2023	AP DSC



- 1 STAMP AMP 16-14\* APPROX AS SHOWN
- 2 WIRE INSULATION DIAMETER:  $\phi 2.921[.115]$  TO  $\phi 4.318[.170]$
- 3 BODY MATERIAL THK:  $0.787\pm 0.051[.031\pm.002]$
- 4 FINISH:  
BODY & SLEEVE - TIN PLATE  $0.00254[.000100]$   
MIN EXT THK PER ASTM B545  
INSULATION COLOR - BLUE
- 5 MATERIAL:  
BODY & SLEEVE - COPPER PER ASTM B152  
INSULATION - NYLON
- 6 APPLIES FROM EDGE OF METAL WIRE BARREL TO CENTER OF STUD HOLE.
- 7 DIMPLE STAMP MARK OPTIONAL

<b>AMP</b> WIRE RANGE	Listed FILE E13288	LR7189 Certified
16-14 AWG SOLID OR STRANDED	16-14 AWG SOLID OR STRANDED	16-14 AWG SOLID OR STRANDED

5000	ON TAPE	2-130094-1
1000	LOOSE PIECE	130094
QTY	PACKAGE TYPE	PART NO

AMP INCORPORATED CUSTOMER SERVICE SYSTEMS		MAX RECOMMENDED OPERATING TEMPERATURE: 105°C [221°F] MAX	THIS DRAWING IS A CONTROLLED DOCUMENT.		DWN JR RUTH 10JAN08	TE Connectivity			
FOR ADDITIONAL PRODUCT INFORMATION OR COPIES OF DRAWINGS AND TECHNICAL DOCUMENTS	PRODUCT INFORMATION CENTER 1-800-522-6752	VOLTAGE RATING: 300 V MAX	DIMENSIONS: mm [INCHES]	TOLERANCES UNLESS OTHERWISE SPECIFIED:	CHK T MICHELUTTI 10JAN08				NAME TERMINAL, RING TONGUE, P.I.D.G.
FOR APPLICATION TOOLING INFORMATION	TOOLING ASSISTANCE CENTER 1-800-722-1111	CIRCULAR MIL AREA: 1.04-2.62mm² [2050-5180] SOLID OR STRANDED		0 PLC ± - 1 PLC ± - 2 PLC ± - 3 PLC ± 0.127[.005] 4 PLC ± - ANGLES ± -	APVD T MICHELUTTI 10JAN08	PRODUCT SPEC UL 486A-B			
FOR ORDER ENTRY	1-800-526-5142		MATERIAL	FINISH	APPLICATION SPEC 114-2157	SIZE A3	CAGE CODE 00779	DRAWING NO C-130094	RESTRICTED TO -
					WEIGHT -	CUSTOMER DRAWING			SCALE 4:1
								SHEET 1 OF 1	REV L