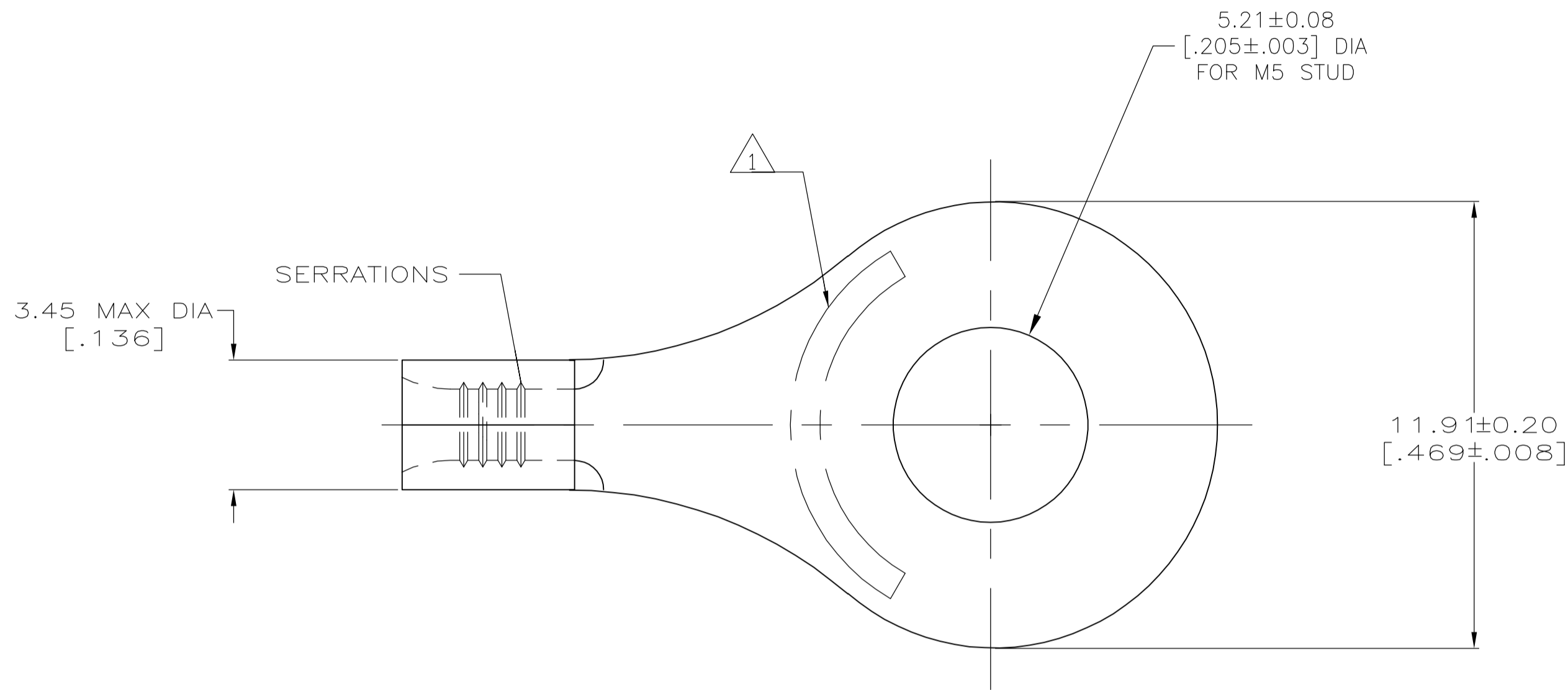
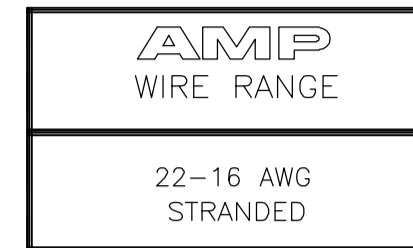
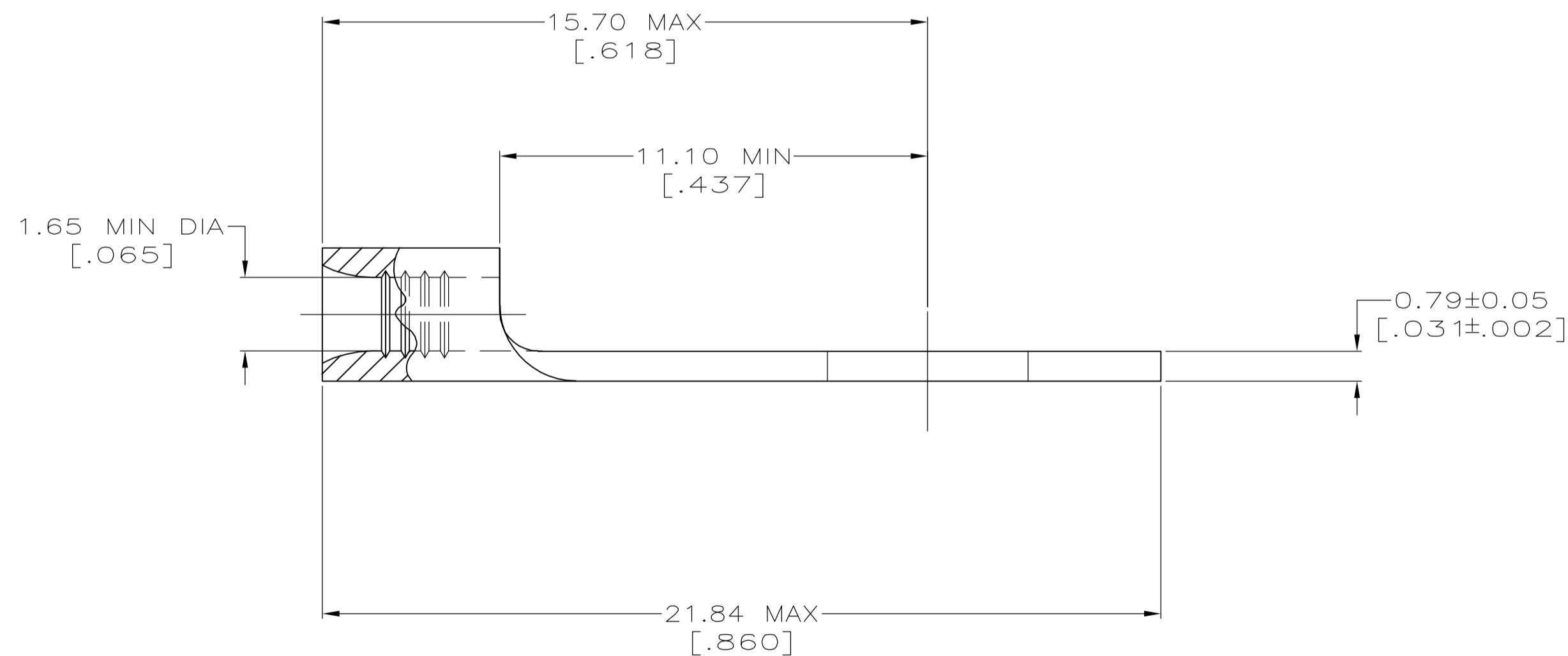


THIS DRAWING IS UNPUBLISHED. RELEASED FOR PUBLICATION  
 © COPYRIGHT BY TYCO ELECTRONICS CORPORATION. ALL RIGHTS RESERVED.

LOC	DIST	REVISIONS					
G	14	P	LTR	DESCRIPTION	DATE	DWN	APVD
		A1		REV PER ECR 06-011374	19MAY06	JR	TM



- 1 STAMP "AMP 22-18\*" APPROX AS SHOWN, 22-16 TERMINALS ARE STAMPED 22-18 IN ACCORDANCE WITH MILITARY SPECIFICATION MIL-T-7928, COMMERCIAL WIRE RANGE IS 22-16.
- 2 MATERIAL: COPPER PER ASTM B-152, ANNEALED.
- 3 0.00254 [0.00100] MIN TIN PLATE PER ASTM B-545
- 4 MAX RECOMMENDED OPERATING TEMP 170°C MAX
- 5 0.26-1.65mm<sup>2</sup> [509-3,260] CMA, STRANDED



130036  
PART NO

THIS DRAWING IS A CONTROLLED DOCUMENT.		DWN jr ruth 19MAY06	Tyco Electronics Corporation Harrisburg, PA 17105-3608	
DIMENSIONS: MM [INCHES]		CHK T MICHELUTTI 19MAY06	NAME T MICHELUTTI 19MAY06	
TOLERANCES UNLESS OTHERWISE SPECIFIED:		APVD T MICHELUTTI 19MAY06	PRODUCT SPEC	
0 PLC ± - 1 PLC ± - 2 PLC ± - 3 PLC ± - 4 PLC ± - ANGLES ± 5°		APPLICATION SPEC		
MATERIAL	FINISH	WEIGHT	SIZE A2	CAGE CODE 00779
			DRAWING NO C=130036	RESTRICTED TO
CUSTOMER DRAWING			SCALE 8:1	SHEET 1 of 1
			REV A1	