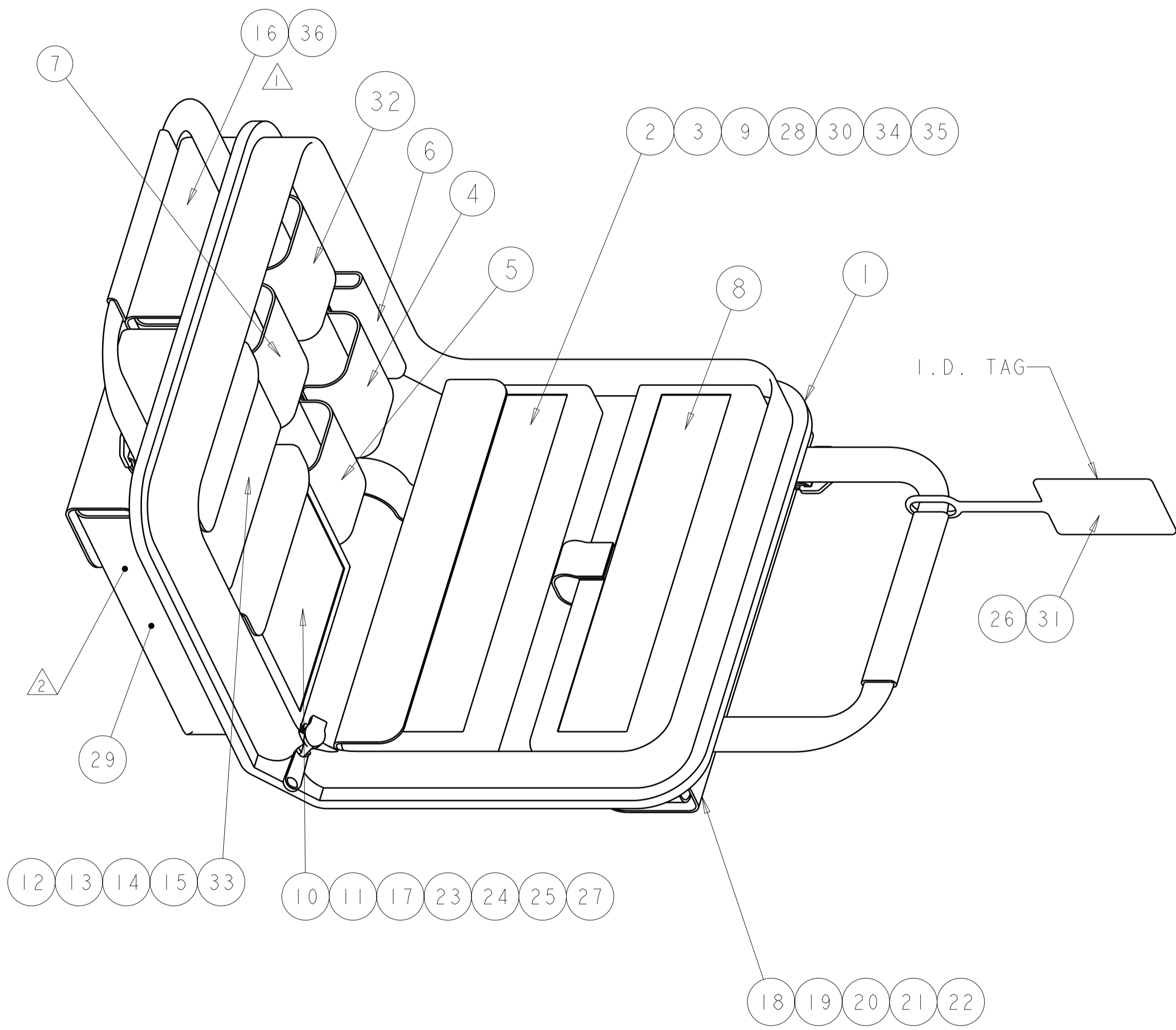


THIS DRAWING IS UNPUBLISHED. RELEASED FOR PUBLICATION
 © COPYRIGHT 20 BY - ALL RIGHTS RESERVED.

| LOC | | DIST | | REVISIONS | | | |
|-----|-----|----------------|-----------|-----------|------|--|--|
| P | LTR | DESCRIPTION | DATE | DWN | APVD | | |
| | NI | MINOR REVISION | 11MAY2011 | DLF | SB | | |

SUPERCEDED BY:
1278949-2

- 1. MANUFACTURERS' INSTRUCTION SHEETS.
- 2. SHOULDER STRAP.
- 3. INSTRUCTION SHEETS 408-4020, 408-8925, 408-10103, 408-4066, 408-4457, 408-4471, 408-4555, AND 408-9860 EXPLAIN THE LightCrimp Plus LC TERMINATION TECHNIQUE AND ARE AVAILABLE FOR DOWNLOAD AT www.tycoelectronics.com/documents



| | | | DESCRIPTION | PART NUMBER | ITEM |
|----|----|----|--|-------------|------|
| 1 | 1 | - | FIBER OPTICS CLEANING & INSPECTION GUIDE | 2064710-1 | 36 |
| 1 | - | - | MICROSCOPE ADAPTER, 1.25mm | 1754765-1 | 35 |
| 1 | - | - | MICROSCOPE ADAPTER, MT-RJ | 1754768-1 | 34 |
| 1 | 1 | - | CABLE CLAMP | 1278625-1 | 33 |
| 1 | 1 | - | SLITTER TOOL, 2mm & 3mm | 1553661-1 | 32 |
| 1 | - | - | LABEL, TERMINATION KIT | 1374410-2 | 31 |
| 1 | - | - | 200x MICROSCOPE KIT | 1754767-1 | 30 |
| 1 | 1 | - | FIBER CLEAVER, SLIDE CUTTER | 1871696-1 | 29 |
| 1 | 1 | - | DIESET, LightCrimp Plus/SC | 492783-1 | 28 |
| 1 | 1 | 1 | BALL END HEX KEY (5) | 1457999-1 | 27 |
| - | 1 | 1 | LABEL, TERMINATION KIT | 1374410-1 | 26 |
| 5 | 5 | 5 | BUSHING, POLISHING, LightCrimp/AMP SC | 502631-1 | 25 |
| 1 | 1 | 1 | BUSHING, POLISHING, ST | 503304-2 | 24 |
| 1 | 1 | 1 | BUSHING, POLISHING, ST | 503304-1 | 23 |
| 10 | 10 | 1 | POLISHING FILM, 5um | 228433-8 | 22 |
| 10 | 10 | 1 | POLISHING FILM, 0.3um | 228433-5 | 21 |
| 1 | 1 | 1 | PAD, POLSHING, CIRCULAR | 501523-1 | 20 |
| 1 | 1 | 1 | PAD, POLISHING, RECTANGULAR | 504584-1 | 19 |
| 1 | 1 | 1 | PLATE, POLISHING, 8.5x11 INCHES | 501197-1 | 18 |
| 2 | 2 | 2 | ACTUATION KEY, 39mm MT-RJ JACK | 1278576-1 | 17 |
| 1 | 1 | 1 | CD ROM, TERMINATION TRAINING | 1374503-1 | 16 |
| 14 | 14 | 15 | ALCOHOL WIPES | 501857-2 | 15 |
| 1 | 1 | 1 | TEMPLATE, CABLE PREP, MT-RJ JACK MODULE | 1278598-1 | 14 |
| 1 | 1 | 1 | TEMPLATE, CABLE PREP, LightCrimp/AMP SC | 503694-1 | 13 |
| 1 | 1 | 1 | TEMPLATE, CABLE PREP, LightCrimp/ST | 503574-1 | 12 |
| 1 | 1 | 1 | CABLE HOLDER, LightCrimp Plus/LC/SC | 2064540-1 | 11 |
| 1 | 1 | 1 | CABLE HOLDER, LightCrimp Plus/ST | 492703-1 | 10 |
| 1 | 1 | 1 | DIESET, LightCrimp Plus/ST | 492622-1 | 9 |
| 1 | 1 | 1 | HANDTOOL, LightCrimp Plus/LC/SC/SPLICE | 2064603-1 | 8 |
| 1 | 1 | 1 | MICRO-STRIP TOOL, MT-RJ (.008IN) | 492109-2 | 7 |
| 2 | 2 | 2 | OPEN END WRENCH, 1/4IN | 1278422-1 | 6 |
| 1 | 1 | 1 | KEVLAR SHEARS | 1278637-1 | 5 |
| 1 | 1 | 1 | FIBER STRIP TOOL, COMBINATION | 1754708-1 | 4 |
| 1 | 1 | 1 | CLEAVE TOOL, UNIVERSAL | 503705-1 | 3 |
| - | - | 1 | CLEAVE TOOL, S-315 | 492674-1 | 2 |
| 1 | 1 | 1 | PREMIUM SOFTCASE | 1278540-1 | 1 |
| -3 | -2 | -1 | DESCRIPTION | PART NUMBER | ITEM |

| | | | |
|---|--|----------------------------|--|
| THIS DRAWING IS A CONTROLLED DOCUMENT. | | DWN T. GREEN 07SEP99 | TE Connectivity |
| DIMENSIONS: INCHES | | CHK J. SABO 07SEP99 | |
| TOLERANCES UNLESS OTHERWISE SPECIFIED: | | APVD J. SABO 07SEP99 | |
| 0 PLC ± 1 PLC ±0.1 2 PLC ±0.02 3 PLC ±0.005 4 PLC ±0.0005 ANGLES ± FINISH | | PRODUCT SPEC - | NAME TERMINATION KIT, LightCrimp, LightCrimp Plus, AND MT-RJ JACK |
| MATERIAL | | APPLICATION SPEC - | SIZE A2 |
| | | WEIGHT - | CAGE CODE 00779 |
| | | CUSTOMER DRAWING | DRAWING NO 1278949 |
| | | SCALE 1:2 | RESTRICTED TO - |
| | | SHEET 1 | REV NI |