

4

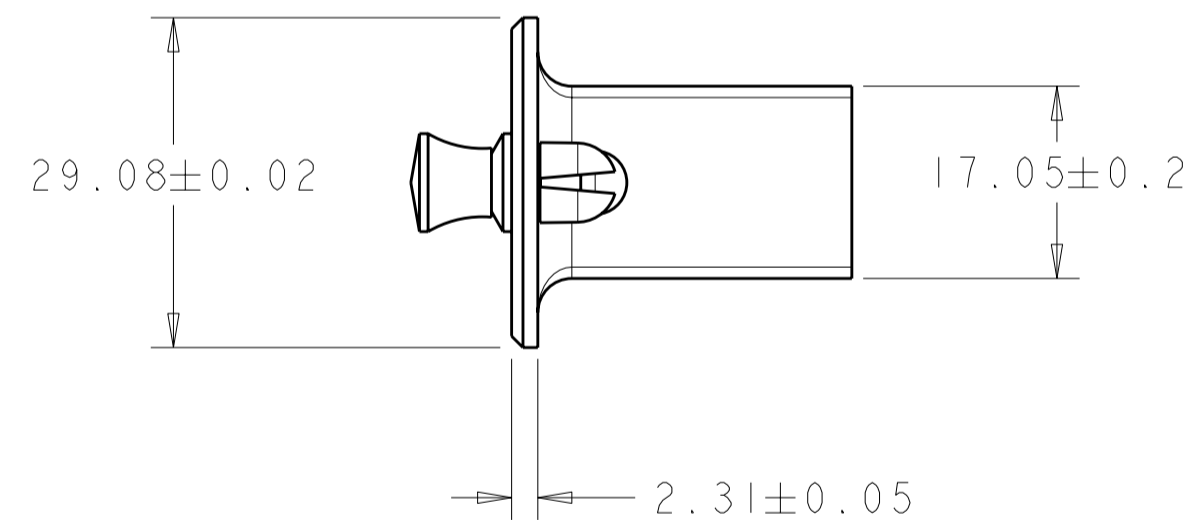
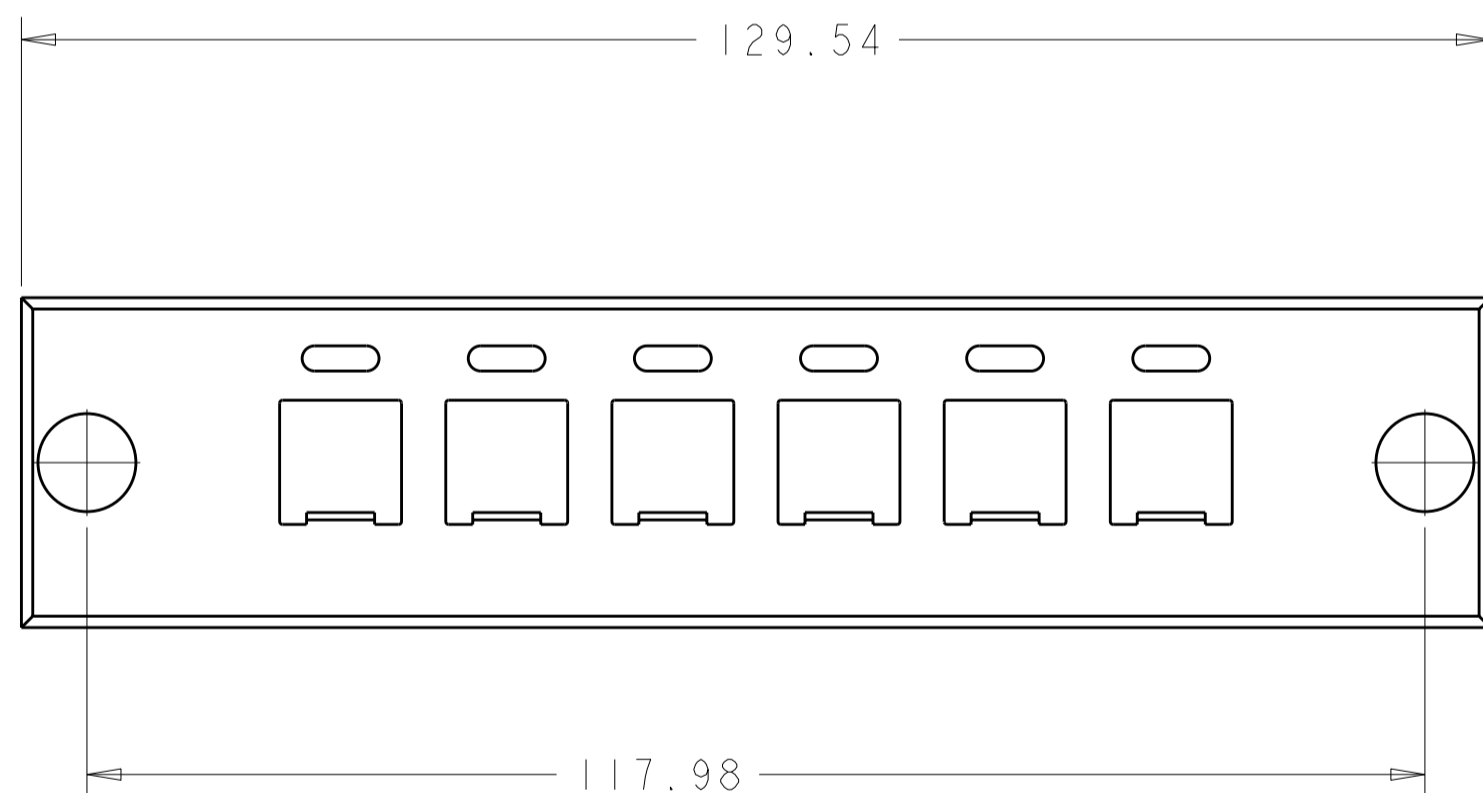
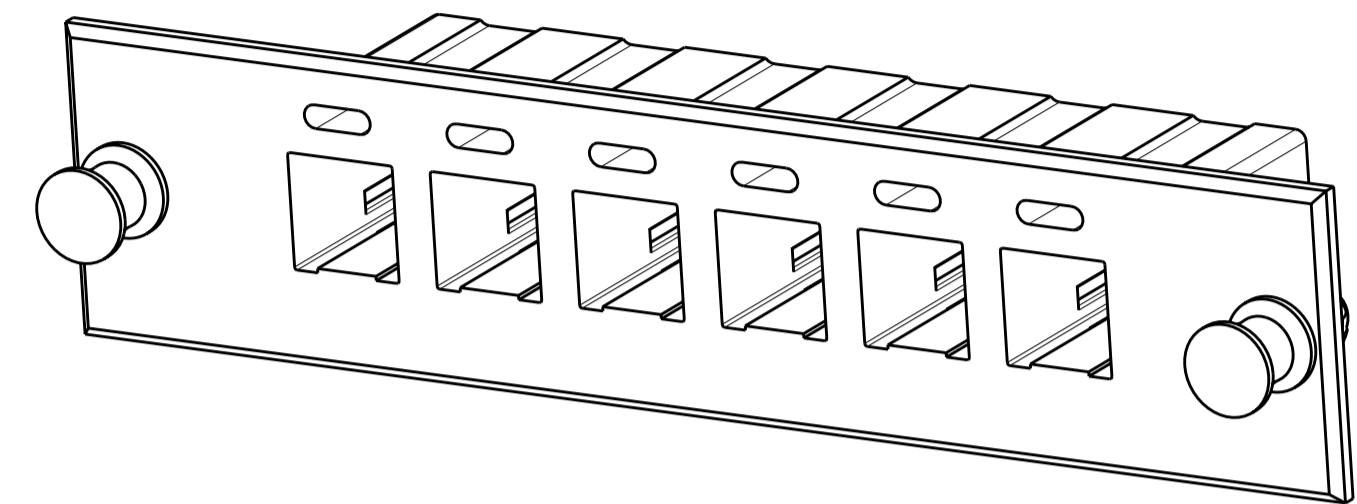
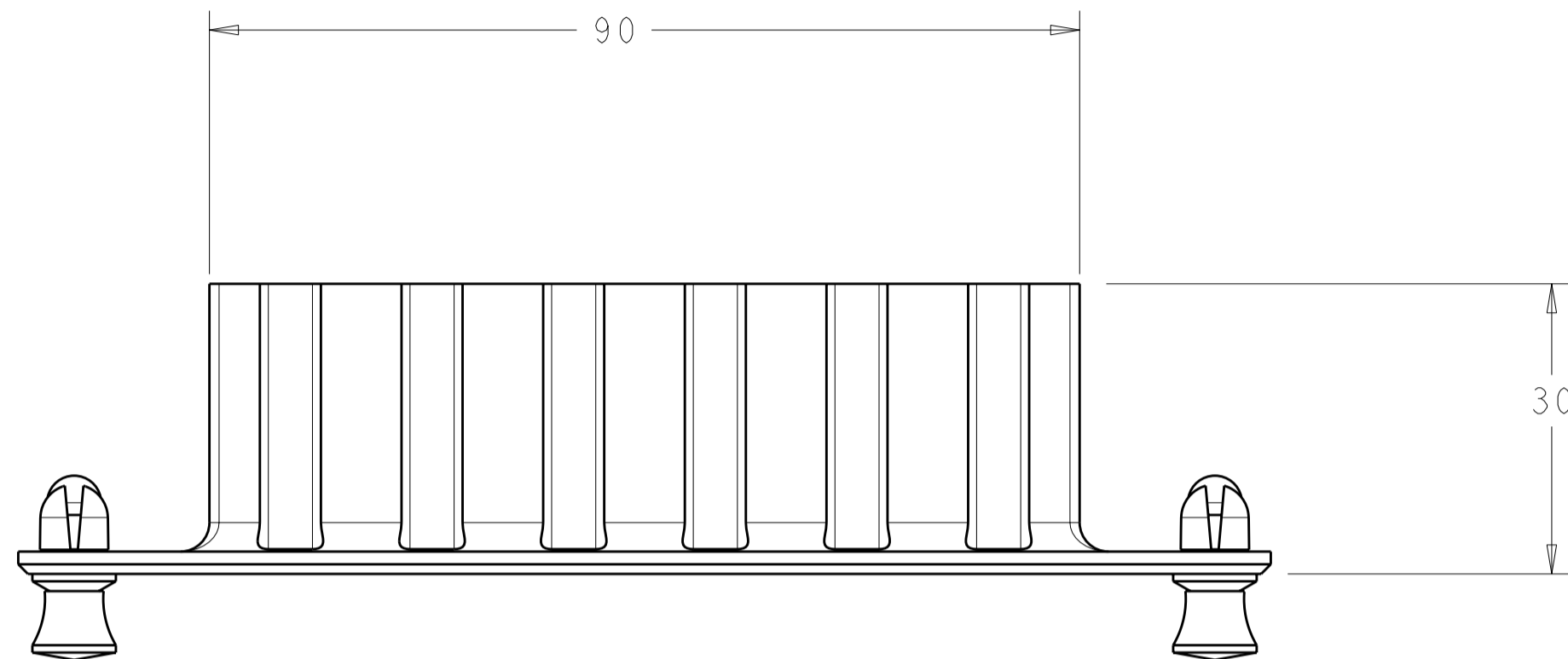
3

2

1

THIS DRAWING IS UNPUBLISHED. RELEASED FOR PUBLICATION
 © COPYRIGHT 19 BY TYCO ELECTRONICS CORPORATION. ALL RIGHTS RESERVED.

LOC	DIST	REVISIONS			
P	LTR	DESCRIPTION	DATE	DWN	APVD
CE	00				
	O	RELEASE PER NPR 98-428	30MAR99	BB	RG
	A	REVISE PER ECR-06-019531	11AUG2006	BB	DK



△ MATERIAL: THERMOPLASTIC
 COLOR: ADAPTER - BLACK, FASTENERS - WHITE.

1278328-3
 PART NUMBER

<small>THIS DRAWING IS A CONTROLLED DOCUMENT FOR TYCO ELECTRONICS CORPORATION IT IS SUBJECT TO CHANGE AND THE CONTROLLING ENGINEERING ORGANIZATION SHOULD BE CONTACTED FOR THE LATEST REVISION.</small>		DWN B. BRIGGS 30MAR99 CHK R. GALLAGHER 30MAR99 APVD B. EDWARDS 30MAR99	AMP AMP Incorporated Harrisburg, PA 17105-3608
DIMENSIONS: mm 	TOLERANCES UNLESS OTHERWISE SPECIFIED: 0 PLC ±0.1 1 PLC ± 2 PLC ±0.13 3 PLC ± 4 PLC ± ANGLES ± FINISH -	PRODUCT SPEC - APPLICATION SPEC - WEIGHT -	NAME MT-RJ PUSH-PIN ADAPTER PLATE KIT SIZE A2 CAGE CODE 00779 DRAWING NO. 1278328 RESTRICTED TO -
MATERIAL - △		CUSTOMER DRAWING	SCALE 3:2 SHEET 1 OF 1 REV A