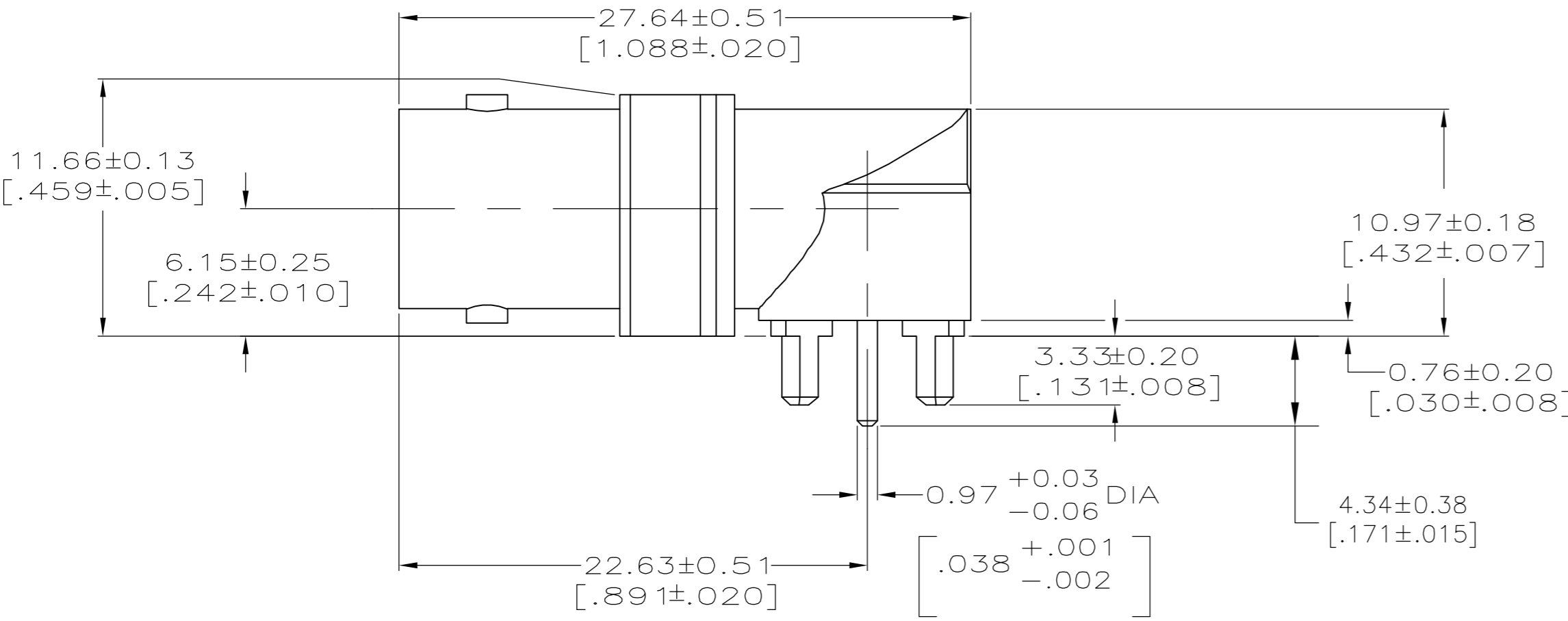
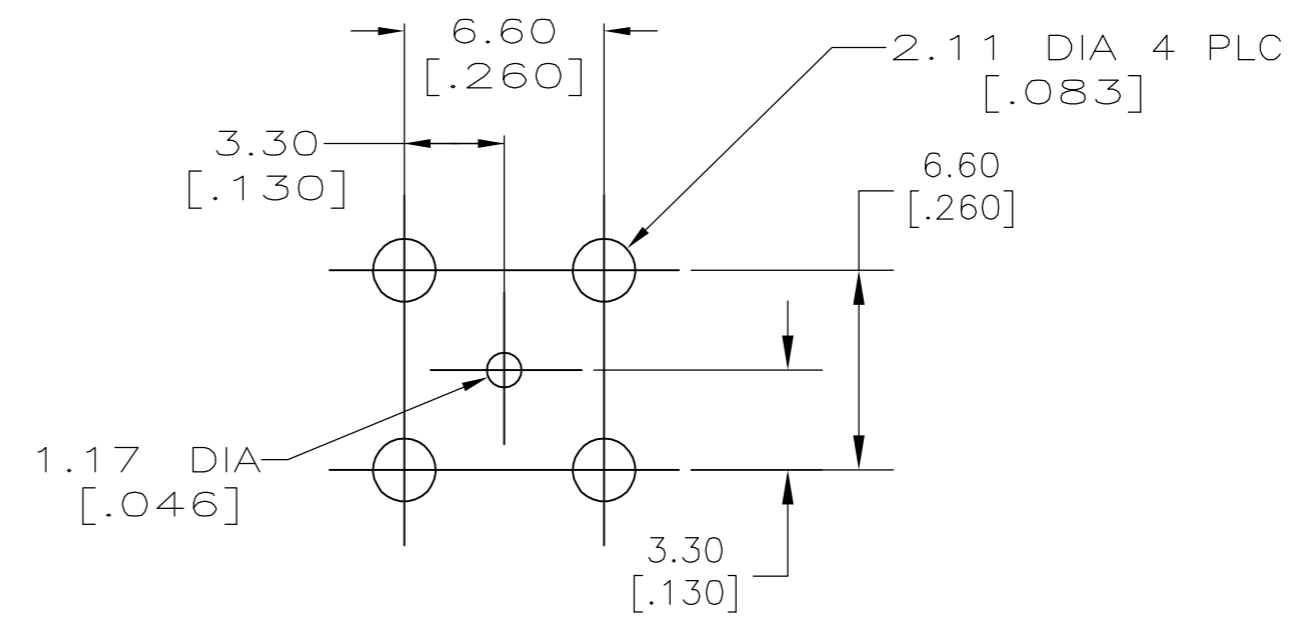
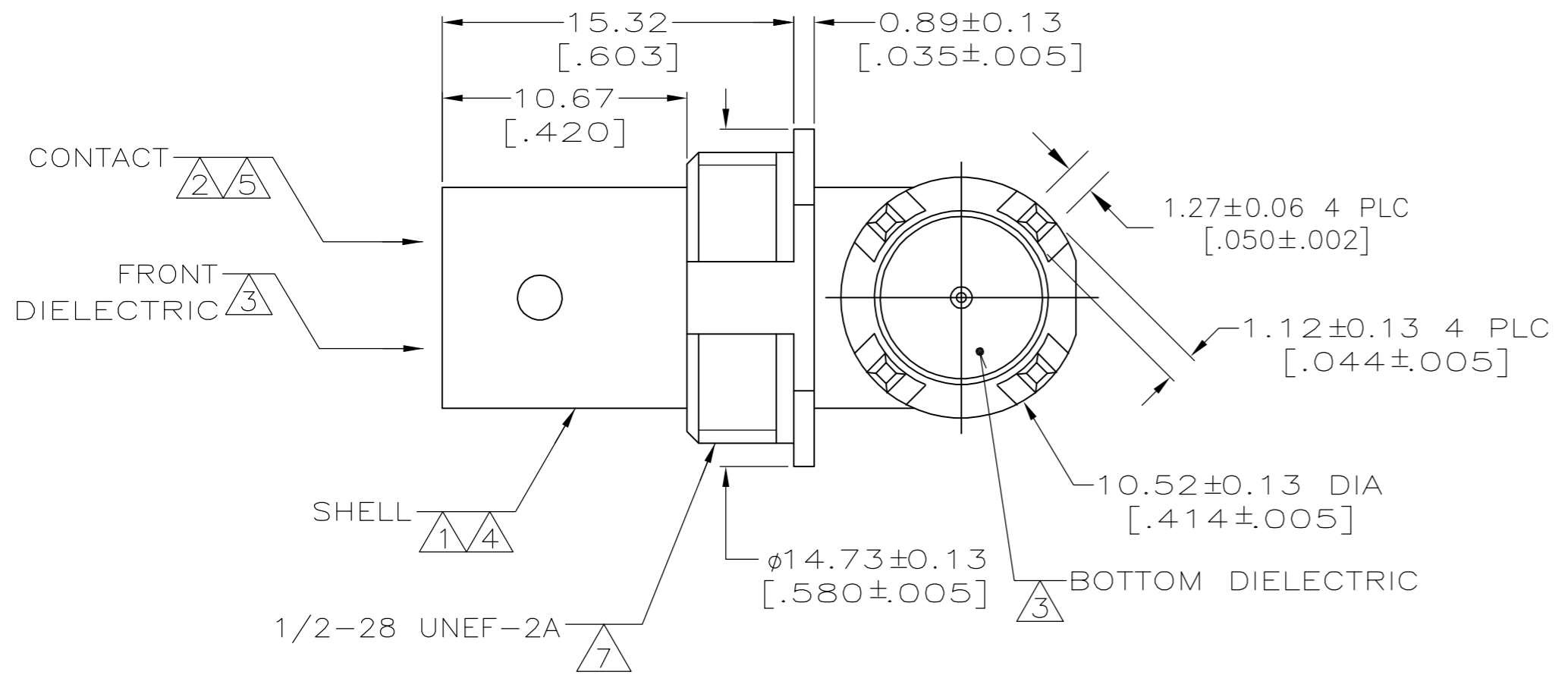


THIS DRAWING IS UNPUBLISHED. RELEASED FOR PUBLICATION  
 © COPYRIGHT BY TYCO ELECTRONICS CORPORATION. ALL RIGHTS RESERVED.

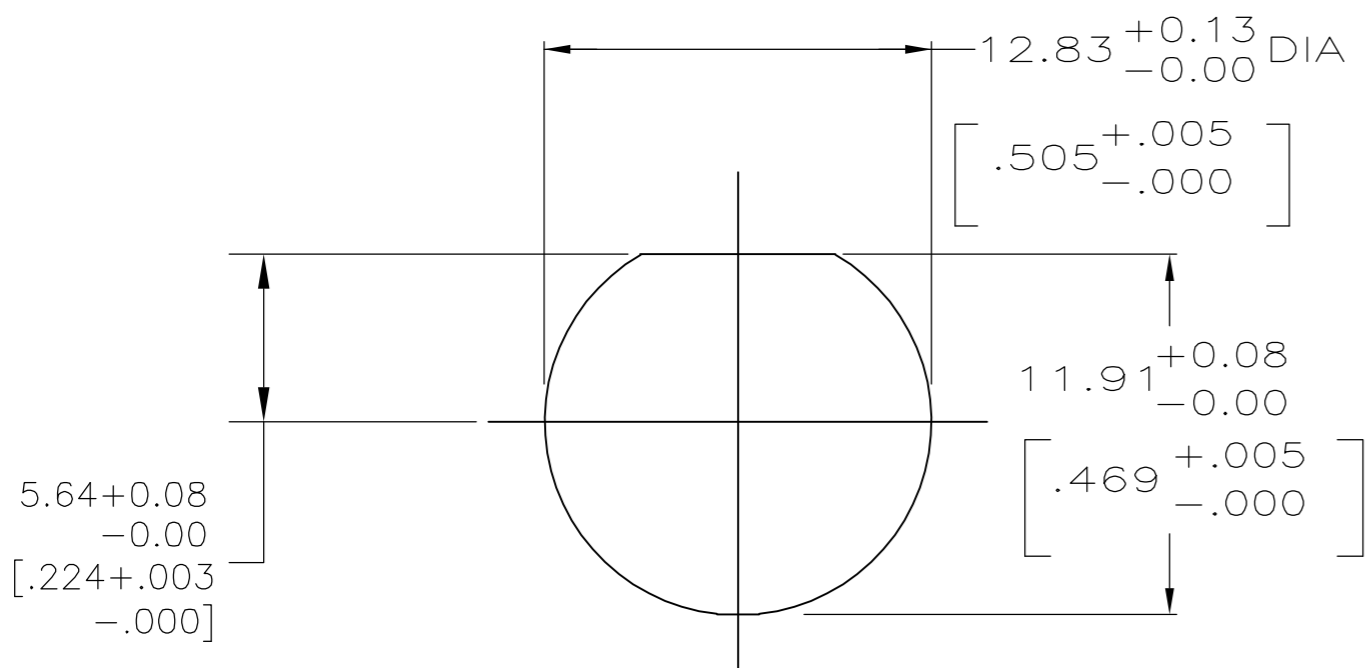
LOC		DIST		REVISIONS					
AJ		00		P	LTR	DESCRIPTION	DATE	DWN	APVD
				H		REVISED PER ECO 06-024121	1/29/2007	DW	JL



- 1 ZINC PER QQ-Z-363.
- 2 BERYLLIUM COPPER PER QQ-C-530.
- 3 PTFE PER MIL-P-19468.
- 4 TIN-LEAD PLATE PER ASTM B 545, 3.81 μm [.000150] MIN THICK.
- 5 GOLD PLATE PER MIL-G-45204, 0.76 μm [.000030] MINIMUM THICK.
- 6 INTERFACE PER MIL-C-39012
- 7 MODIFIED MAJOR DIAMETER TO 12.29 [.484]



PCB CONFIGURATION



RECOMMENDED PANEL CUTOUT

1274425-2  
 1274425-1  
 PART NUMBER

THIS DRAWING IS A CONTROLLED DOCUMENT.		DWN	J. LIPPERT	1-3-00	 Tyco Electronics Corporation Harrisburg, PA 17105-3608							
DIMENSIONS: INCHES		CHK	J. LIPPERT	1-3-00								
TOLERANCES UNLESS OTHERWISE SPECIFIED:		APVD	J. LIPPERT	1-3-00								
0 PLC ± - 1 PLC ± - 2 PLC ± 0.08 [.003] 3 PLC ± - 4 PLC ± - ANGLES ± - FINISH SEE NOTES 5, 6		PRODUCT SPEC	NAME			JACK, RIGHT ANGLE, 75 OHM, PCB, BNC						
MATERIAL	SEE NOTES 1 - 4	WEIGHT	-		SIZE	A2	CAGE CODE	00779	DRAWING NO	C=1274425	RESTRICTED TO	-
CUSTOMER DRAWING		SCALE	4:1		SHEET	1 of 1		REV	H			

1274425