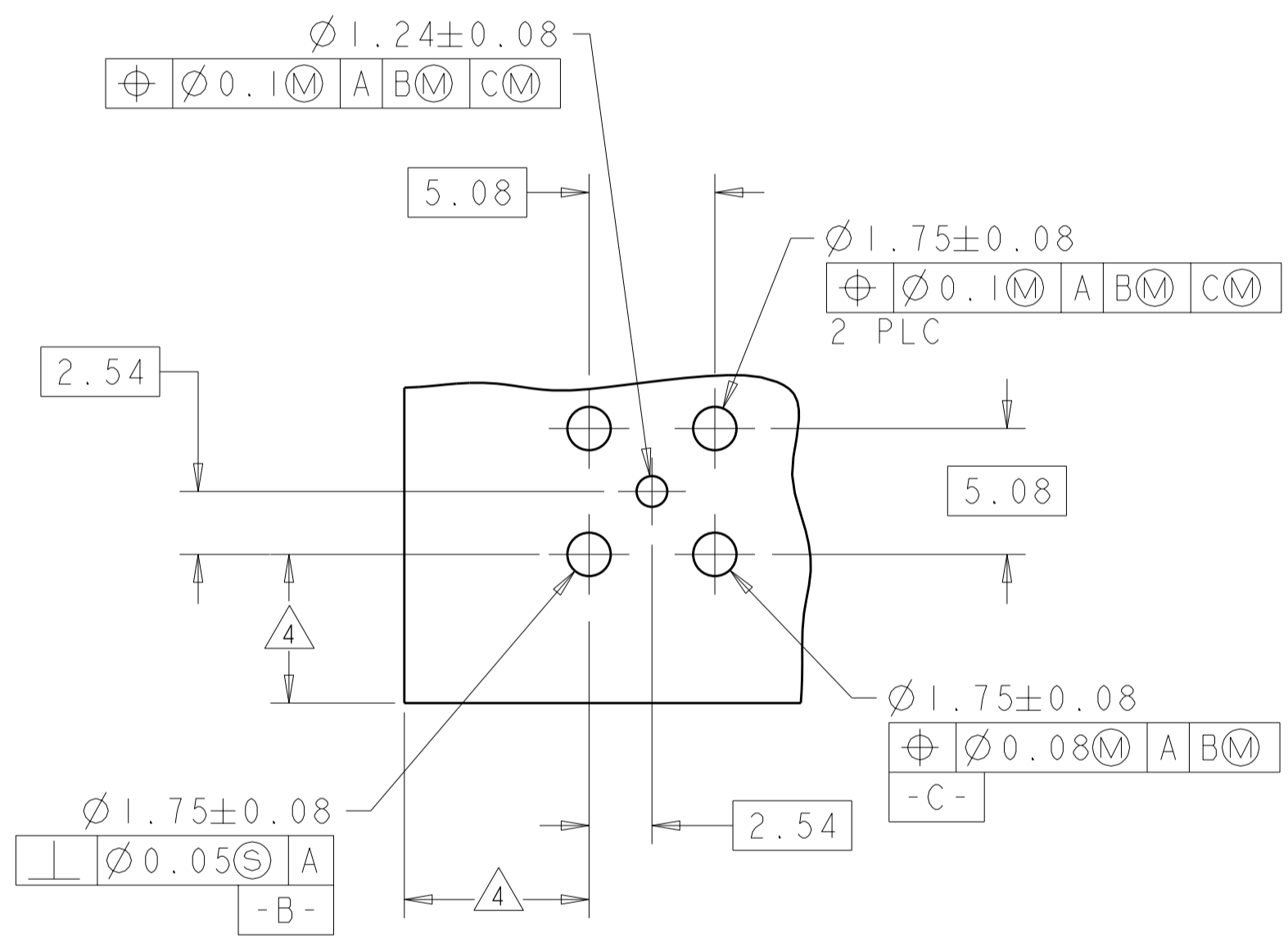
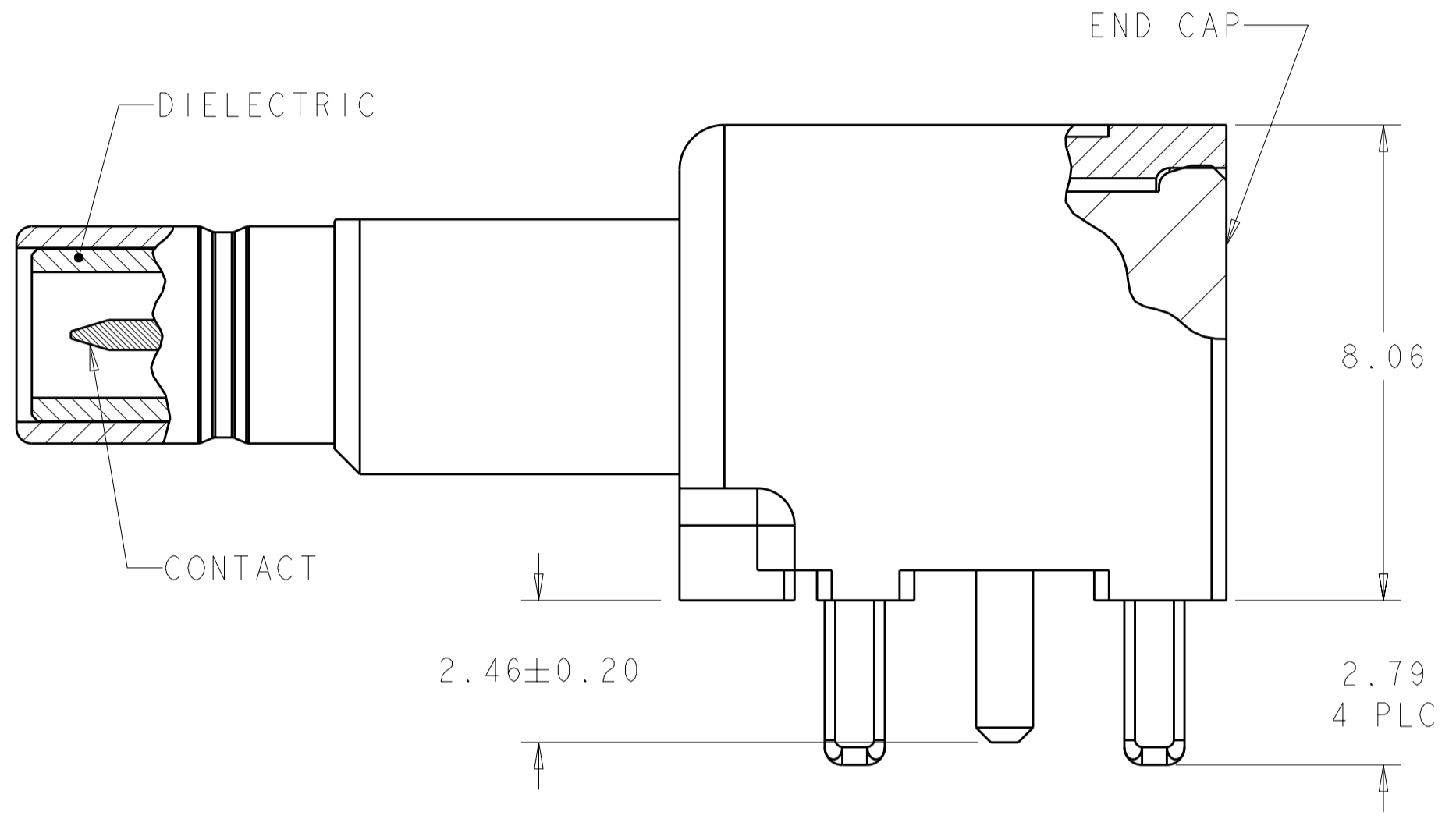
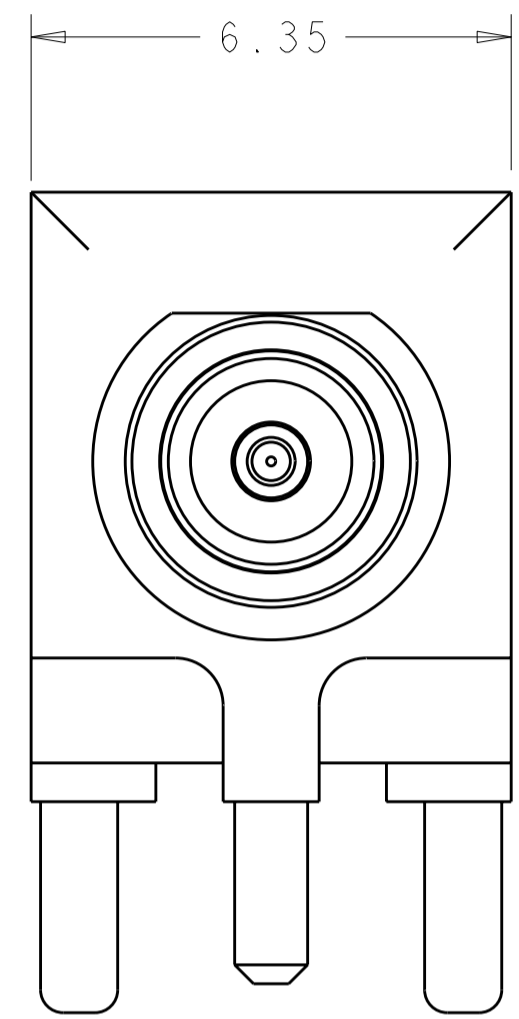
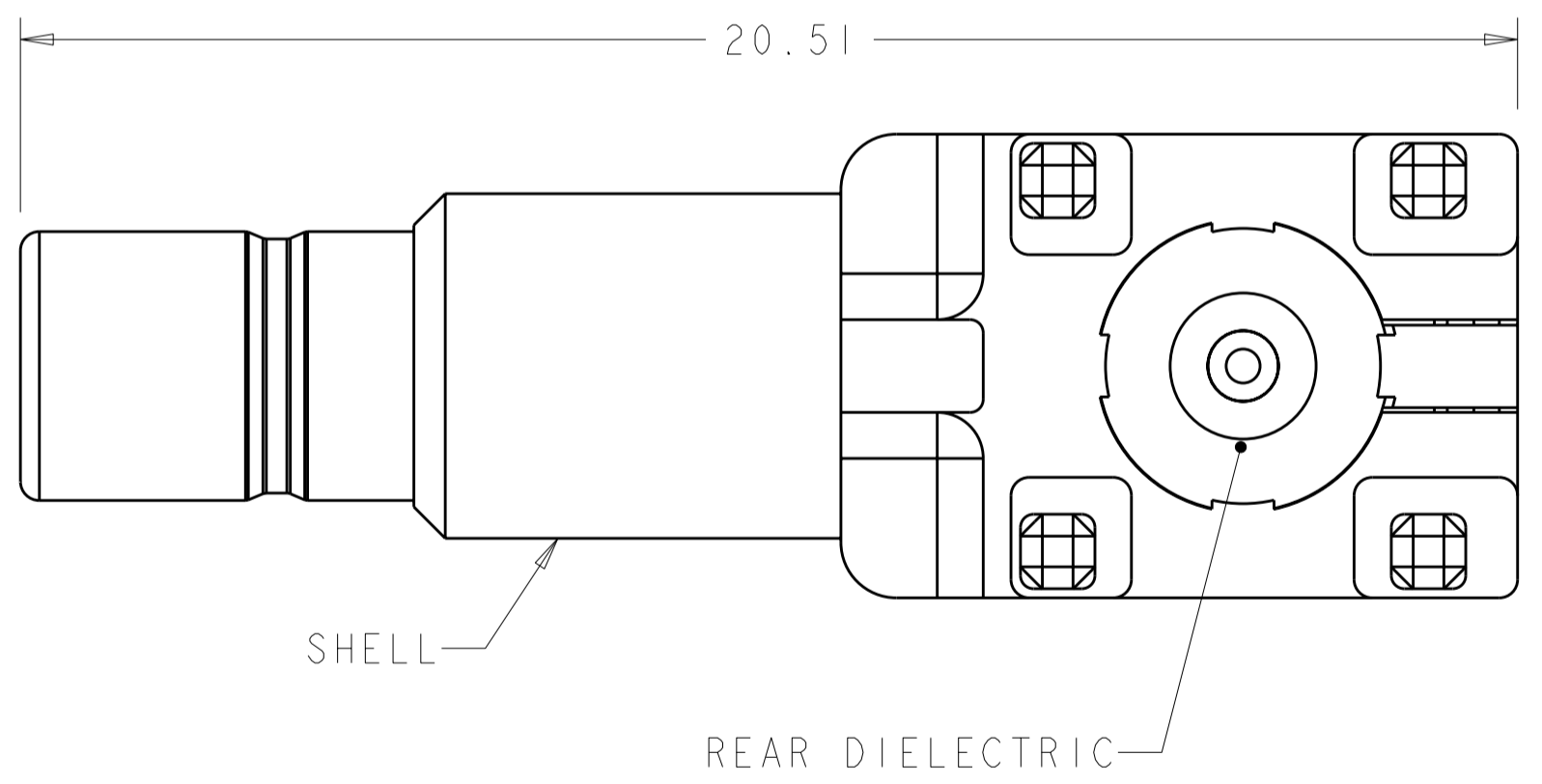


THIS DRAWING IS UNPUBLISHED. RELEASED FOR PUBLICATION 20
 © COPYRIGHT 20 BY TYCO ELECTRONICS CORPORATION. ALL INTERNATIONAL RIGHTS RESERVED.

LOC	DIST	REVISIONS			
P	LTR	DESCRIPTION	DATE	DWN	APVD
FX	00				
	H	REVISED PER EC OK40-0709-02	11JUL2002	JLM	SLM
	J	REVISED PER ECO-10-004862	09MAR2010	DLD	LLV



RECOMMENDED PC BOARD LAYOUT
SCALE 4:1



PCB JACK NOT SALEABLE,
DRAWING IS FOR REFERENCE ONLY

1274412-1
PART NUMBER

- 1 MATERIAL:
JACK - ZINC
PIN - BRASS
DIELECTRIC - REAR: POLYMETHYLPENTENE AND FRONT: TEFLON
- 2 FINISH:
JACK - PLATE 2.0µm - 4.0µm TIN OVER 1.52µm - 4.06µm BRIGHT NICKEL OVER 2.54µm COPPER FLASH
PIN - PLATE 1.27µm MIN GOLD OVER 1.3µm MIN NICKEL
- 3. JACK INTERFACE PER SAE/USCAR-18, FAKRA SMB RF CONNECTOR SUPPLEMENT.
- 4 DIMENSIONS ESTABLISHED BY CUSTOMER RELATIVE TO LOCATION ON PCB.

<small>THIS DRAWING IS A CONTROLLED DOCUMENT FOR TYCO ELECTRONICS CORPORATION. IT IS SUBJECT TO CHANGE AND THE CONTROLLING ENGINEERING ORGANIZATION SHOULD BE CONTACTED FOR THE LATEST REVISION.</small>		DWN: 15NOV2000 CHK: 16NOV2000 APVD: 16NOV2000	Tyco Electronics Harrisburg, PA 17105-3608
DIMENSIONS: mm	TOLERANCES UNLESS OTHERWISE SPECIFIED: 0 PLC ± 1 PLC ± 2 PLC ±0.25 3 PLC ± 4 PLC ± ANGLES ± FINISH 2	PRODUCT SPEC: 108-2054 APPLICATION SPEC: 114-13043 WEIGHT: -	NAME: JACK ASSEMBLY, ASSEMBLED, RIGHT ANGLE, PCB, 50 Ohm, SMB SIZE: A2 CAGE CODE: 00779 DRAWING NO: 1274412 RESTRICTED TO: -
MATERIAL: 1		CUSTOMER DRAWING	
SCALE: 10:1		SHEET 1 OF 1 REV J	