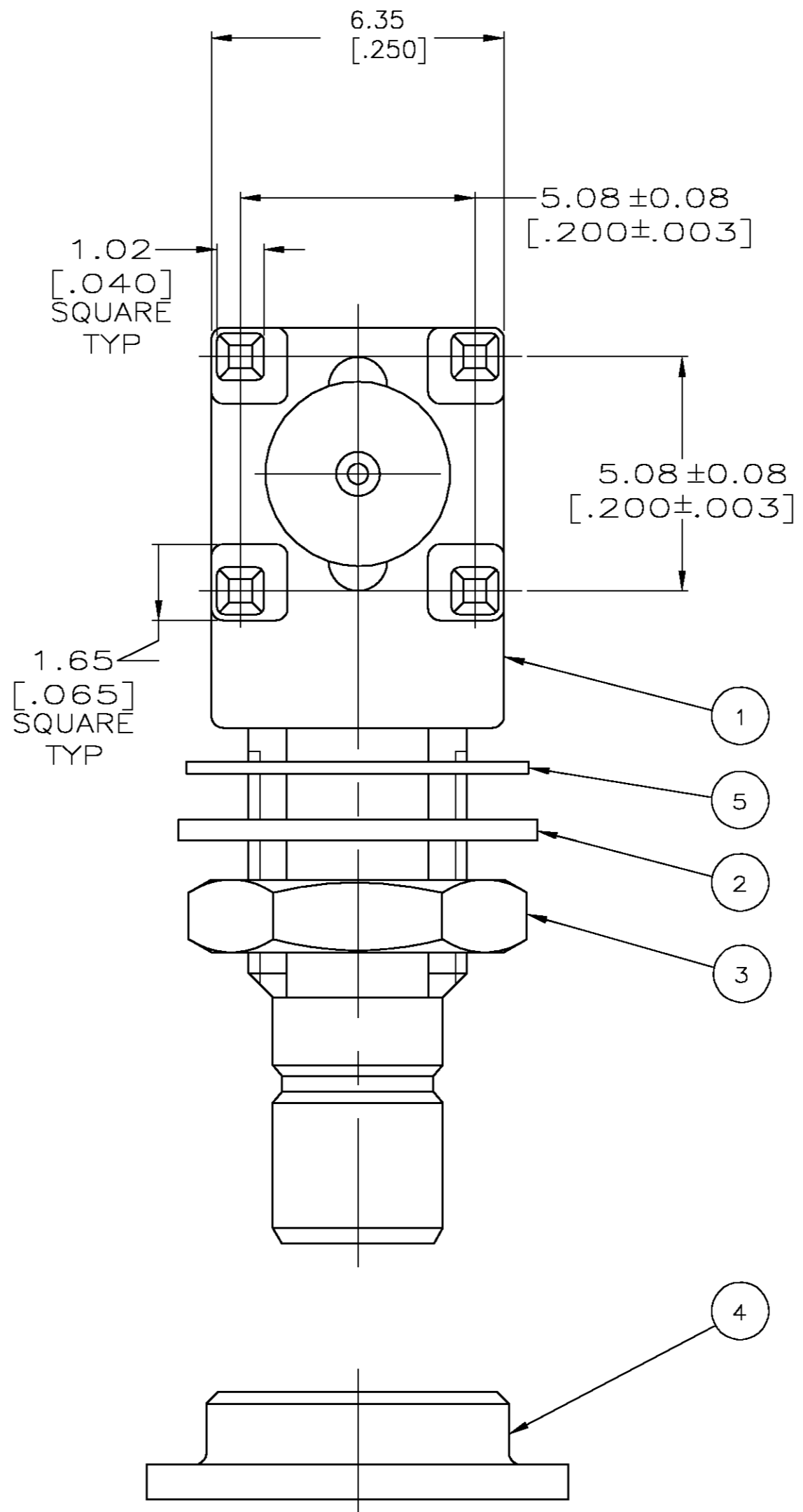
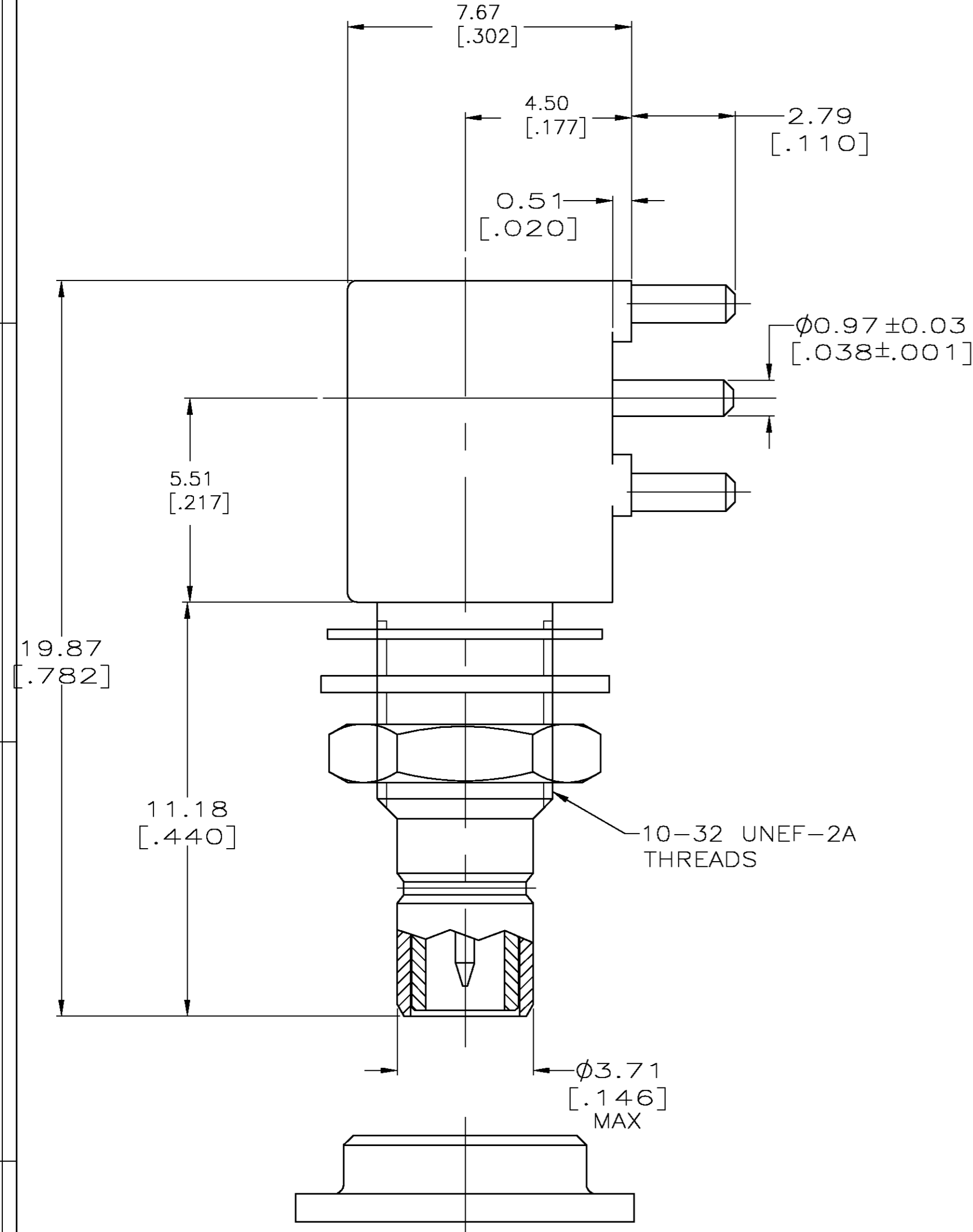
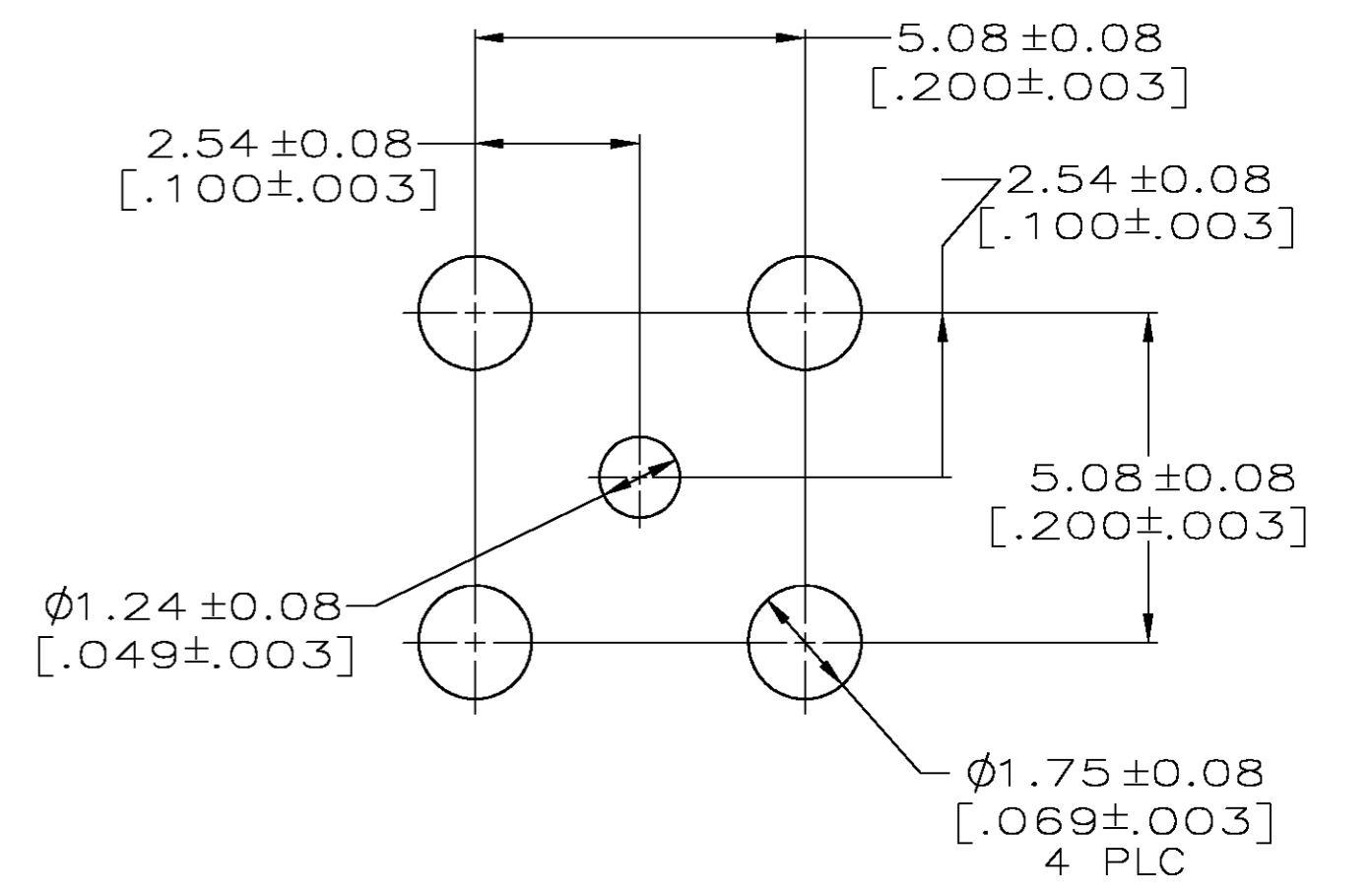


THIS DRAWING IS UNPUBLISHED. RELEASED FOR PUBLICATION  
 © COPYRIGHT BY TYCO ELECTRONICS CORPORATION. ALL RIGHTS RESERVED.

LOC	DIST	REVISIONS			
P	LTR	DESCRIPTION	DATE	DWN	APVD
B		EC 0514-0303-03	07JUL03	RMF	RMF



1. PARTS PACKAGED UNASSEMBLED.



RECOMMENDED PCB CONFIGURATION

228019-3 ISOLATING WASHER QTY=1	415784-1 ISOLATING BUSHING QTY=1	414969-3 JAM NUT QTY=1	415001-2 LOCKWASHER QTY=1	414963-1 JACK ASSY QTY=1	1274330-1 PART NUMBER
---------------------------------------	--	------------------------------	---------------------------------	--------------------------------	--------------------------

THIS DRAWING IS A CONTROLLED DOCUMENT.

DWN	B. MOYER	27APR99
CHK	B. MOYER	27APR99
APVD	B. MOYER	27APR99

NAME: B. MOYER

PRODUCT SPEC: -

APPLICATION SPEC: -

WEIGHT: -

SCALE: 8:1

SHEET 1 OF 1

REV B

TYCO Electronics Tyco Electronics Corporation Norwood, Mass, 02062

JACK, RIGHT ANGLE, PCB, BULKHEAD, 50 OHM, SMB

SIZE: A2 CAGE CODE: 00779 DRAWING NO: C=1274330 RESTRICTED TO: -

CUSTOMER DRAWING