

4

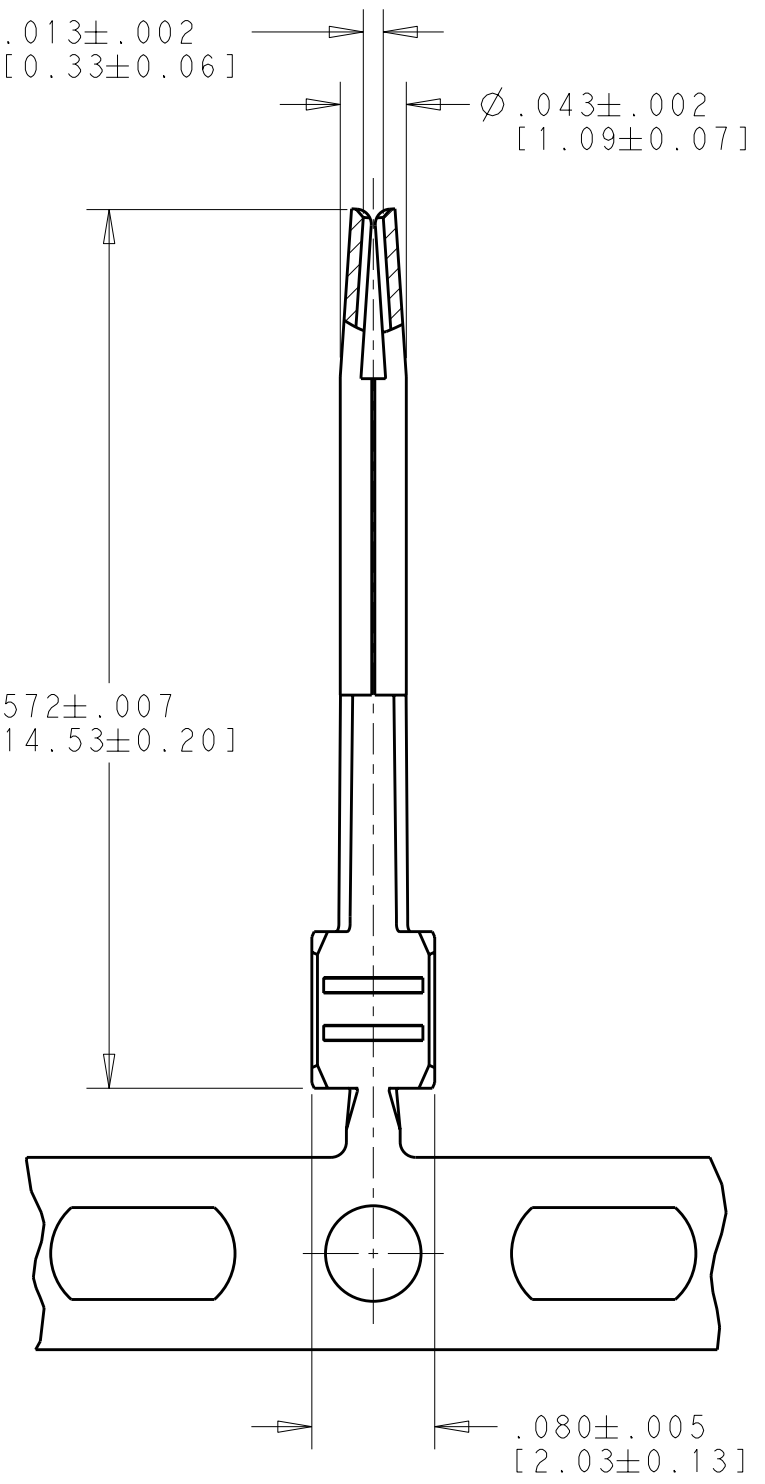
3

2

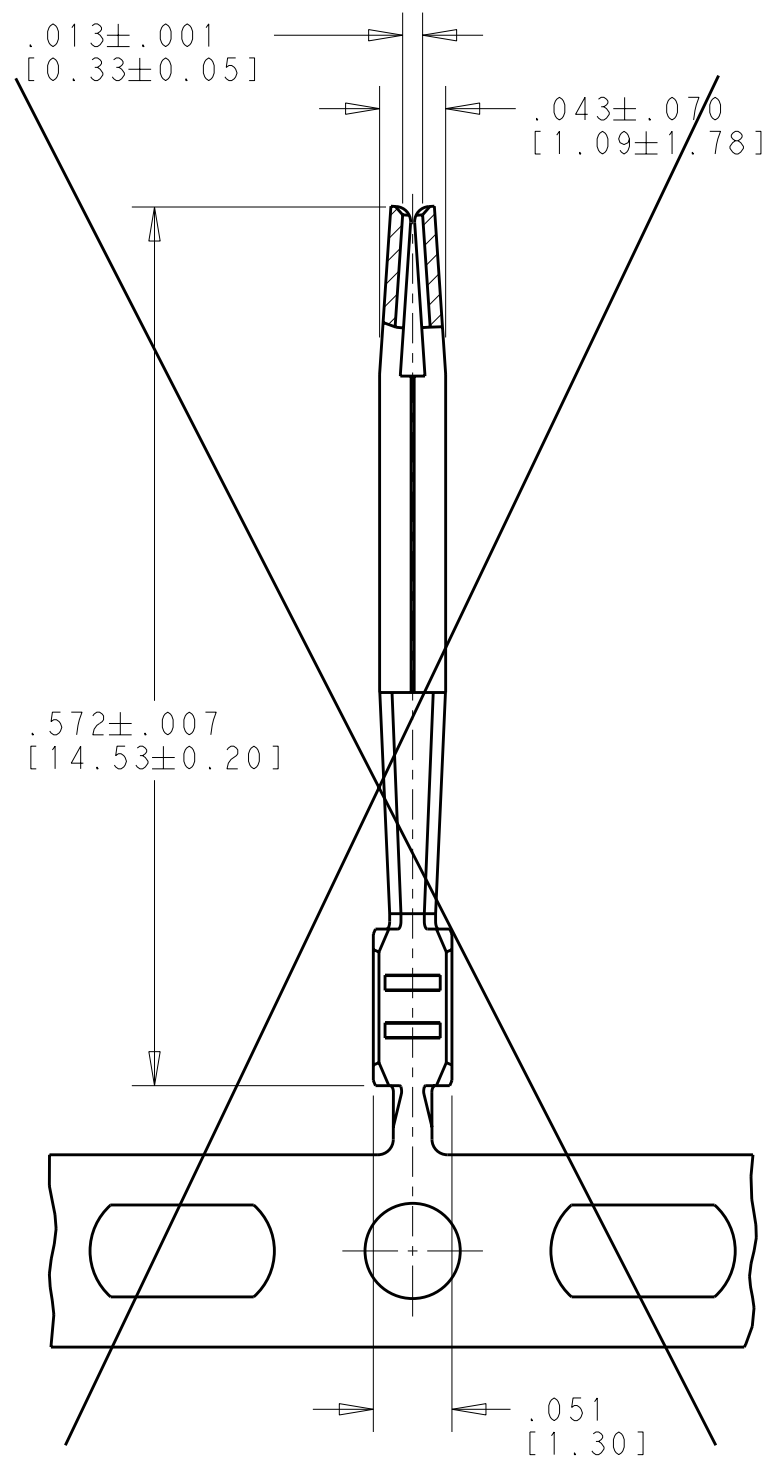
1

THIS DRAWING IS UNPUBLISHED. RELEASED FOR PUBLICATION 20
 © COPYRIGHT 20 BY TYCO ELECTRONICS CORPORATION. ALL INTERNATIONAL RIGHTS RESERVED.

LOC	DIST	REVISIONS			
P	LTR	DESCRIPTION	DATE	DWN	APVD
GQ	00				
	G	REVISED PER ECO-10-022323	31JAN2011	DLD	LLV
	G1	REVISED PER ECO-11-004614	03MAR2011	DLD	LLV



VIEW X



VIEW Y

△1 MATERIAL: PHOSPHOR BRONZE PER ASTM-B-103
 △2 FINISH: TIN PL PER ASTM-B-545

OBSOLETE	RG-62/U MODIFIED	Y	1274232-4
	RG-62/U	X	1274232-2
	CABLE SIZE	VIEW	PART NUMBER

<small>THIS DRAWING IS A CONTROLLED DOCUMENT FOR TYCO ELECTRONICS CORPORATION IT IS SUBJECT TO CHANGE AND THE CONTROLLING ENGINEERING ORGANIZATION SHOULD BE CONTACTED FOR THE LATEST REVISION.</small>		DWN AJ GRAFF 15OCT98 CHK G. MICHAEL 15OCT98 APVD G. MICHAEL 15OCT98		Tyco Electronics Harrisburg, PA 17105-3608	
DIMENSIONS: INCHES [mm]		TOLERANCES UNLESS OTHERWISE SPECIFIED: 0 PLC ±- 1 PLC ±- 2 PLC ±- 3 PLC ±- 4 PLC ±- ANGLES ±-		NAME CONTACT, PLUG, SNAP-LOCK	
MATERIAL △1		FINISH △2		PRODUCT SPEC - APPLICATION SPEC 114-13010 WEIGHT -	
CUSTOMER DRAWING				SIZE A3 CAGE CODE 00779 DRAWING NO. 1274232	RESTRICTED TO -
SCALE 8:1				SHEET 1 OF 1	REV G1