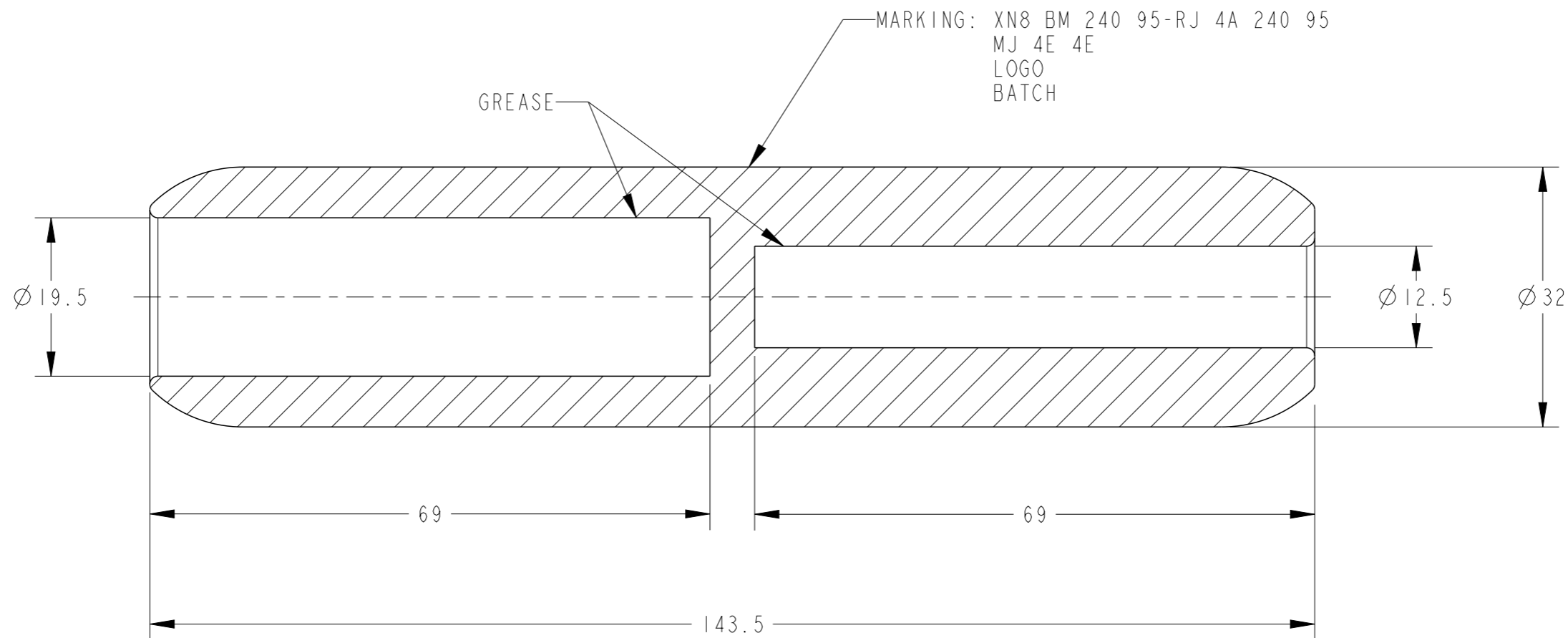


REVISIONS

P	LTR	DESCRIPTION	DATE	DWN	APVD
	A	INITIAL RELEASE	17DEC2020	RS	NA



TCPN	DESCRIPTION	CROSS SECTION (mm <sup>2</sup> )
1273160-1	XN8 BM 240 95-RJ 4A 240 95(M)	240-95

THIS DRAWING IS A CONTROLLED DOCUMENT.		DWN RAVI.S 17DEC2020		
DIMENSIONS: mm		CHK L. JONATHAN 17DEC2020		
TOLERANCES UNLESS OTHERWISE SPECIFIED:		APVD N. ALMEIDA 17DEC2020	NAME XN8 BM 240 95-RJ 4A 240 95(M)	
<ul style="list-style-type: none"> <li>0 PLC ±-</li> <li>1 PLC ±-</li> <li>2 PLC ±-</li> <li>3 PLC ±-</li> <li>4 PLC ±-</li> <li>ANGLES ±-</li> </ul>		PRODUCT SPEC -	RESTRICTED TO -	
MATERIAL ALUMINIUM		FINISH -	APPLICATION SPEC -	SIZE A3
		WEIGHT 250 g	CAGE CODE 00779	DRAWING NO C-1273160
CUSTOMER DRAWING			SCALE NTS	SHEET 1 OF 1
			REV A	