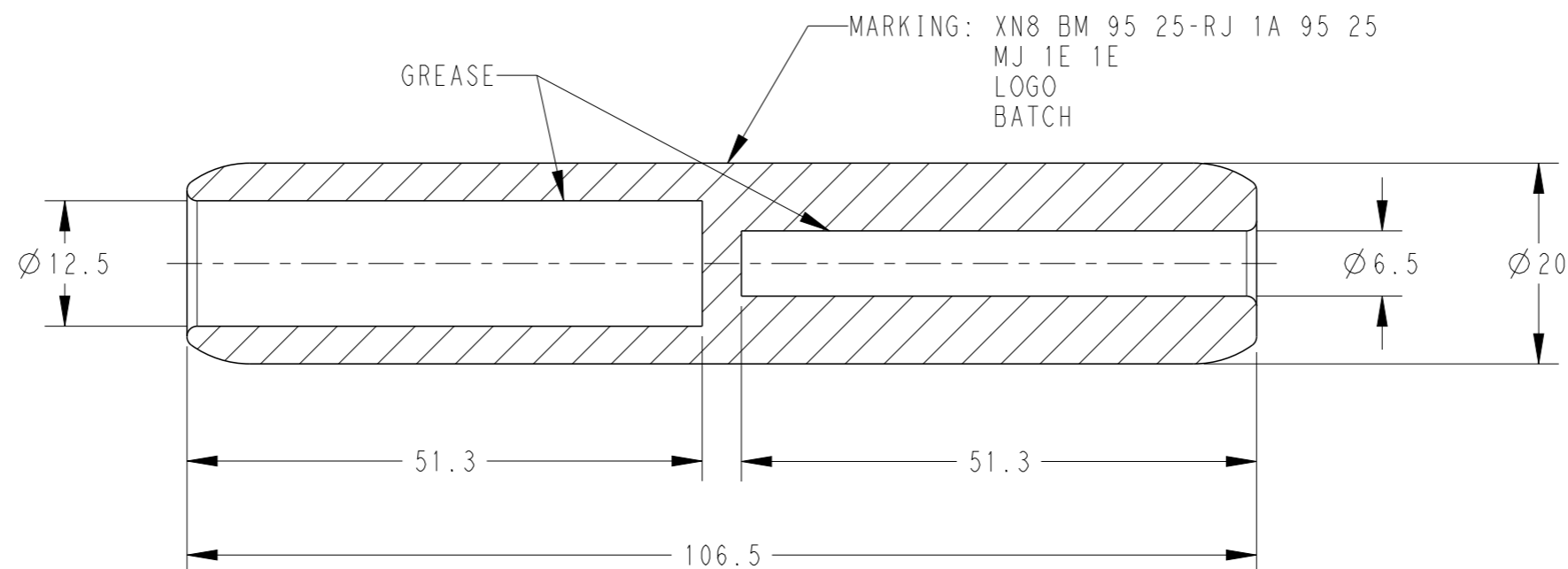


REVISIONS

P	LTR	DESCRIPTION	DATE	DWN	APVD
	A	INITIAL RELEASE	17DEC2020	RS	NA



TCPN	DESCRIPTION	CROSS SECTION (mm ²)
1273119-1	XN8 BM 95 25-RJ 1A 95 25 (M)	95-25

THIS DRAWING IS A CONTROLLED DOCUMENT.

DIMENSIONS:
mm

MATERIAL
ALUMINIUM

TOLERANCES UNLESS OTHERWISE SPECIFIED:

0 PLC	±-
1 PLC	±-
2 PLC	±-
3 PLC	±-
4 PLC	±-
ANGLES	±-
FINISH	-

DWN RAVI.S 17DEC2020
 CHK L. JONATHAN 17DEC2020
 APVD N. ALMEIDA 17DEC2020
 PRODUCT SPEC -
 APPLICATION SPEC -
 WEIGHT 82 g
 CUSTOMER DRAWING

NAME XN8 BM 95 25-RJ 1A 95 25 (M)

TE TE Connectivity

SIZE A3	CAGE CODE 00779	DRAWING NO. C-1273119	RESTRICTED TO -
SCALE NTS		SHEET 1 OF 1	REV A