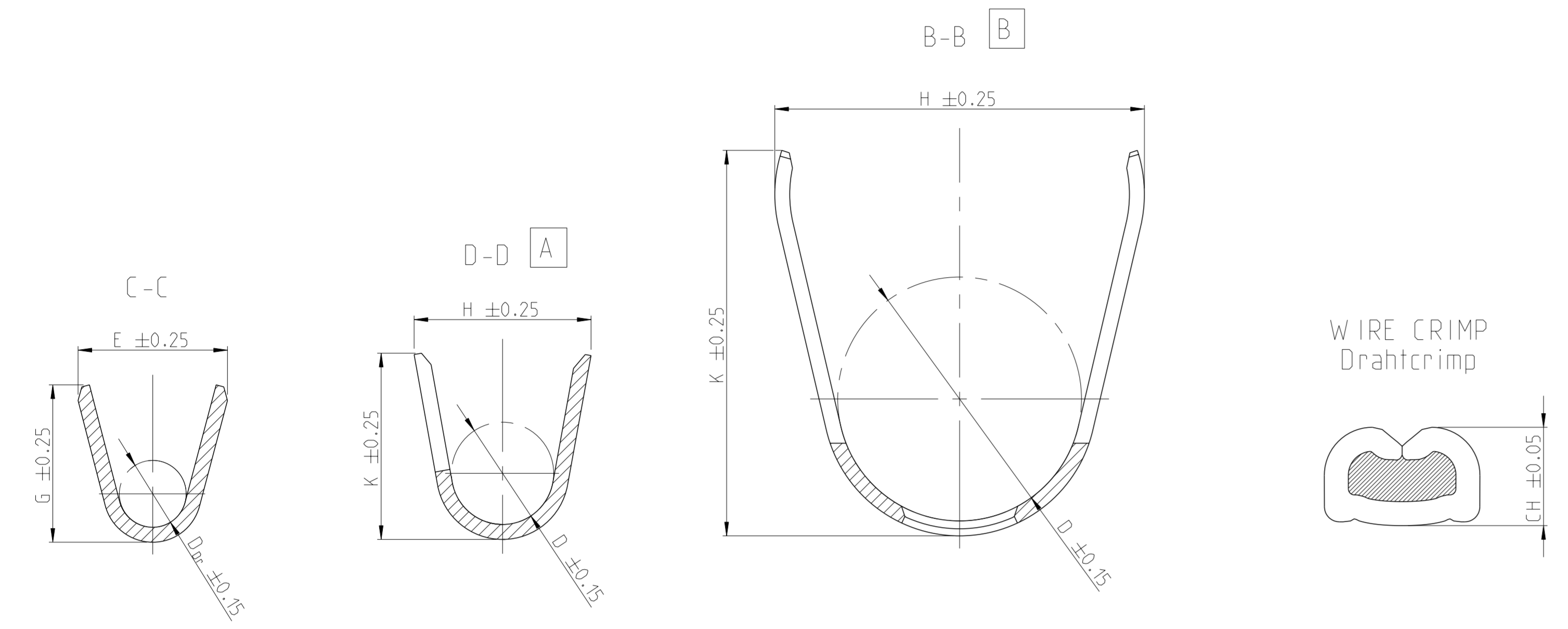


NOTES
Bemerkungen

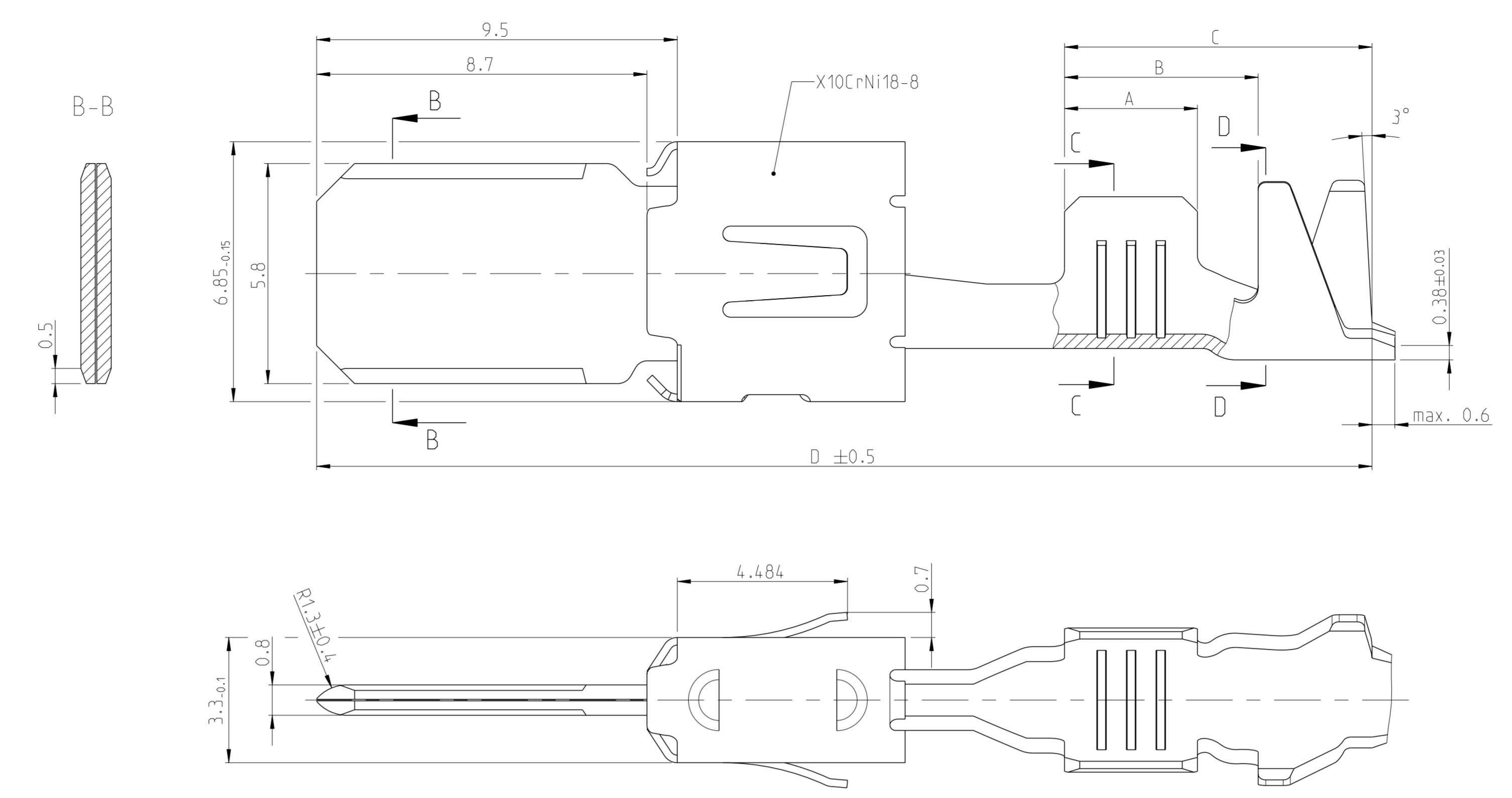
CONTACT AREA PRE SILVER MIN. 3µm
OTHER AREA PRE SILVER MIN. 1µm
SPRING BLANK
Kontaktzone vorversilbert min. 3µm
übriger Bereich vorversilbert min. 1µm
Ueberfeder blank

PRE TIN MIN. 1µm
SPRING BLANK
Vorverzinkt min. 1µm
Ueberfeder blank



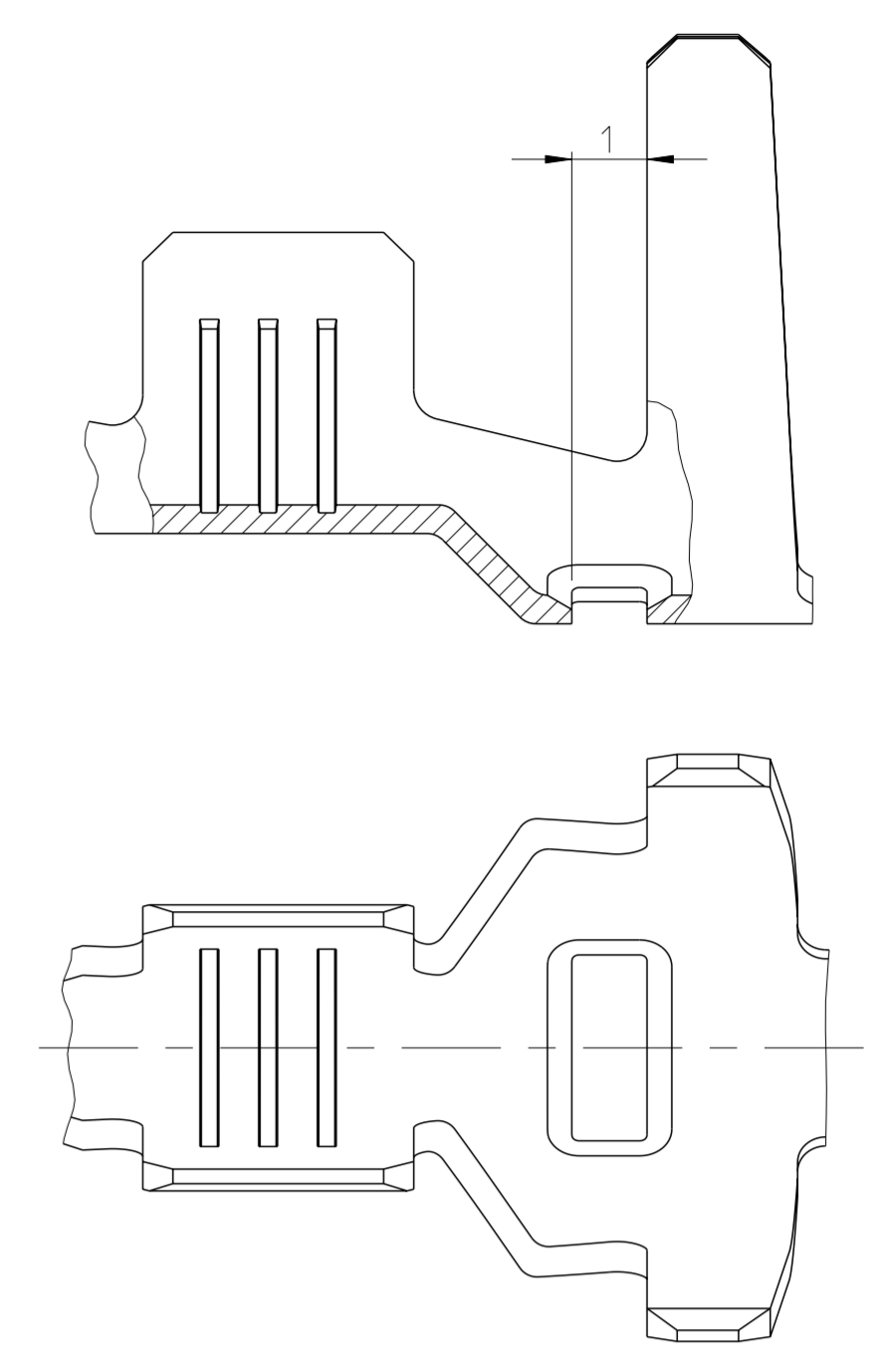
FLR-/FLK-WIRE
FLR-/FLK-Leitung

DESIGN 1
Ausführung 1

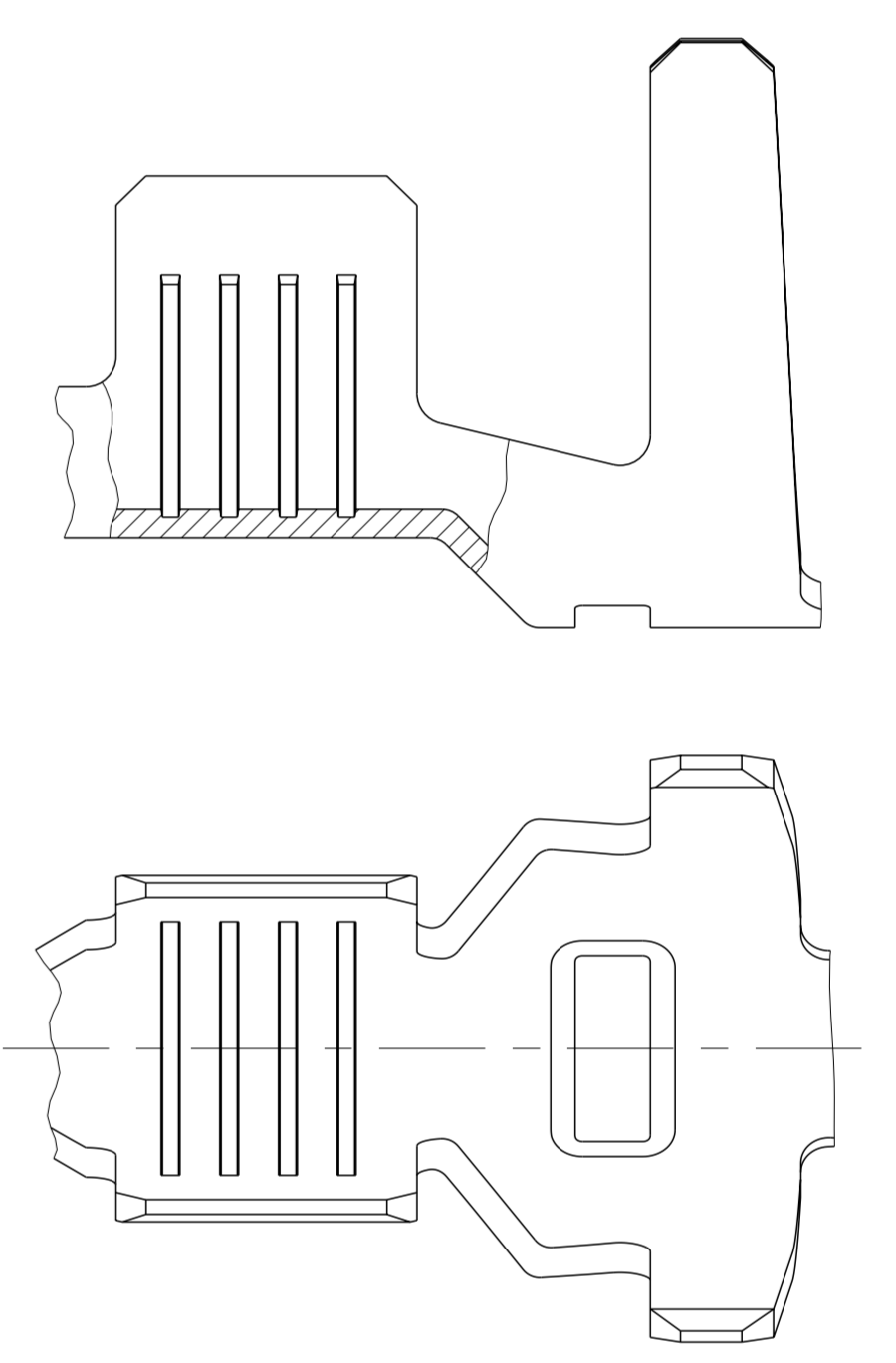


SINGLE WIRE SEAL
Einzeldichtungssystem

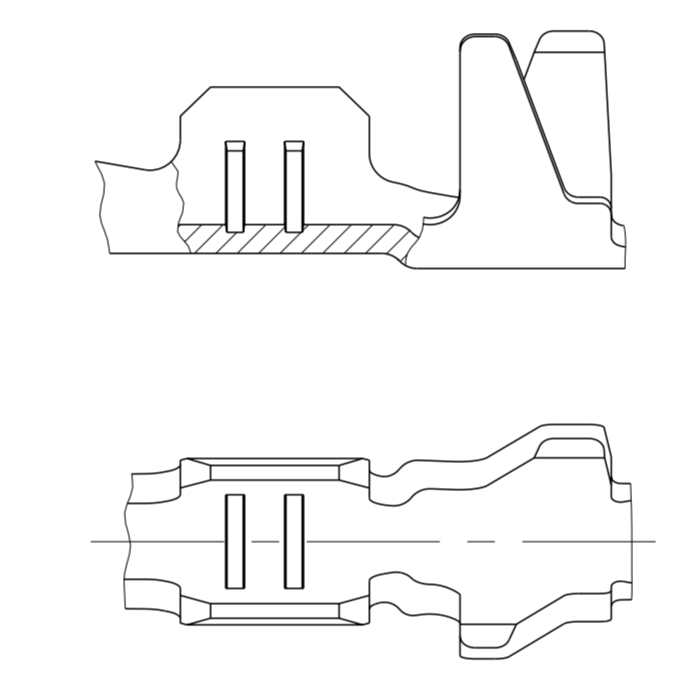
DESIGN 5
Ausführung 5



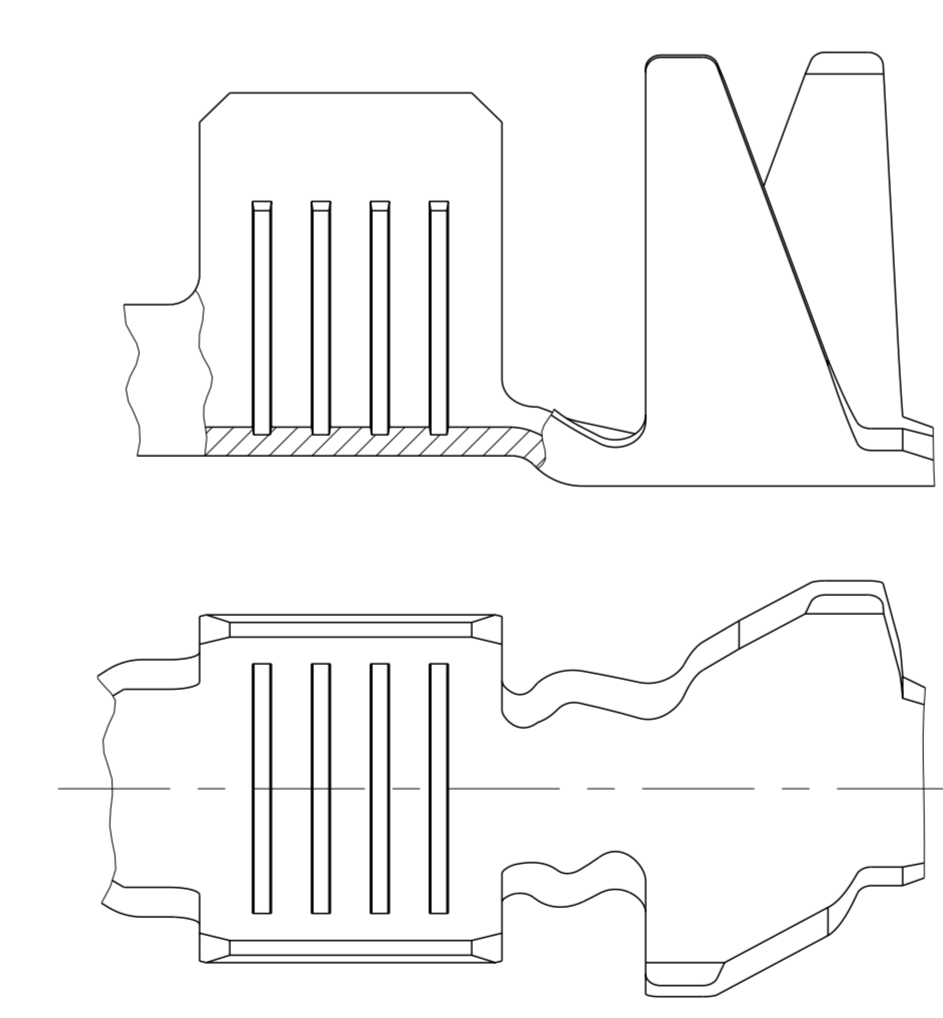
DESIGN 6
Ausführung 6



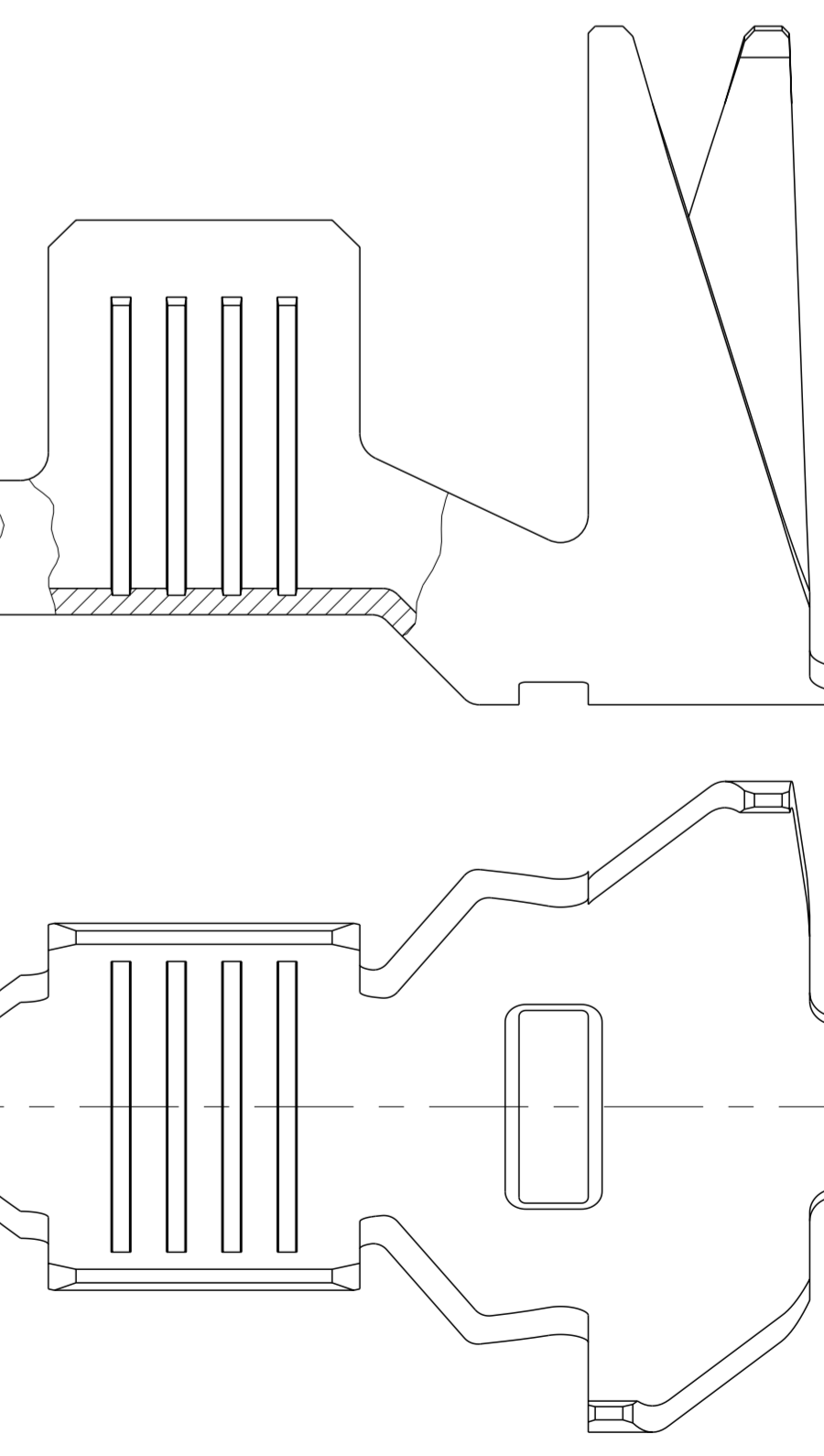
DESIGN 2
Ausführung 2



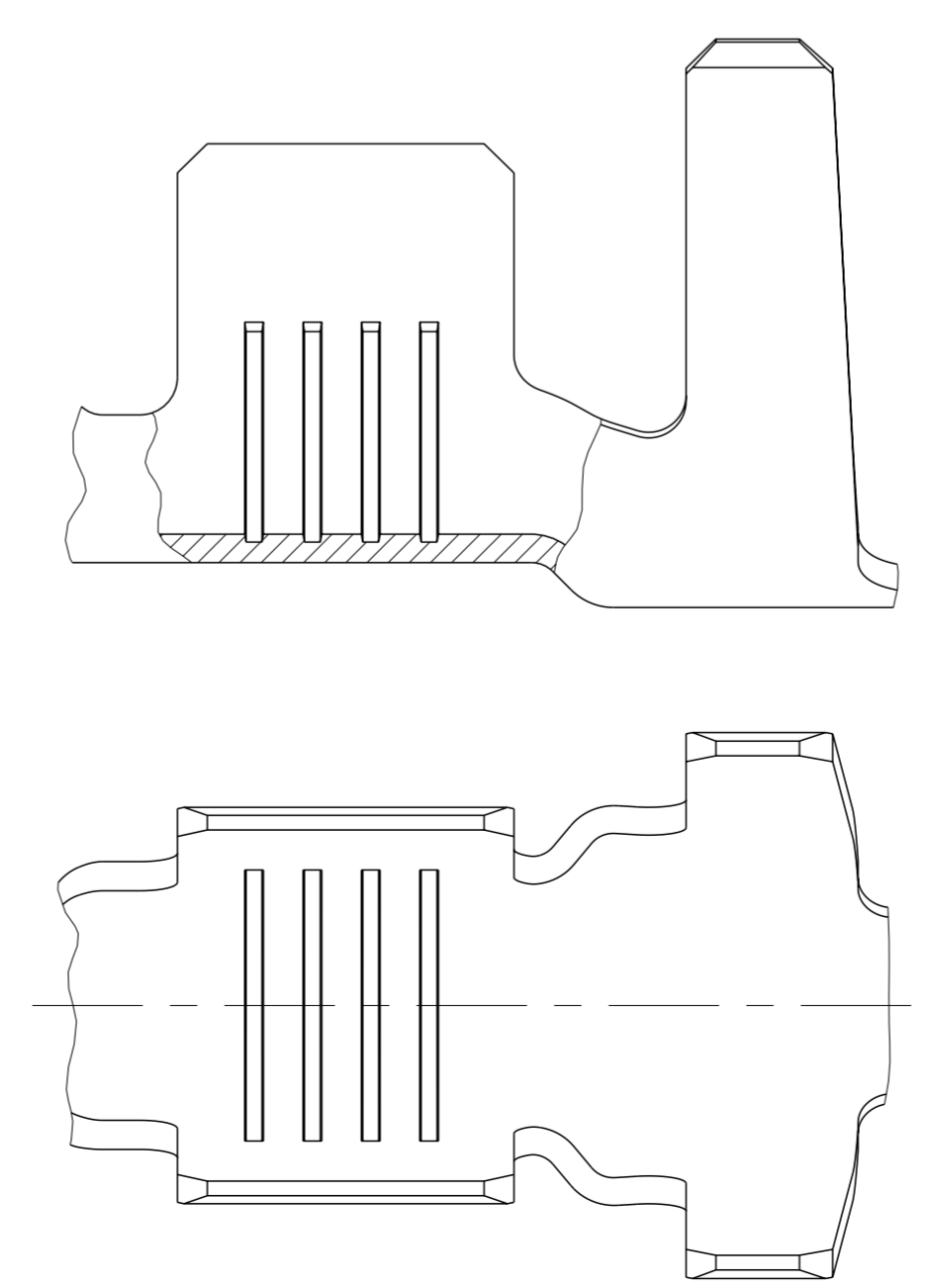
DESIGN 3
Ausführung 3



DESIGN 7
Ausführung 7



DESIGN 4
Ausführung 4



SINGLE WIRE SEAL / Einzeldichtungssystem	Part No.	Rev.	Design	Material	Surface	DGB	SEE / siehe	SEE / siehe	SEE / siehe	Application Tool	Extraction Tool	A	B	C	D		
							SECTION A-A	SECTION B-B	WIRE CRIMP								
FLK-WIRE / FLK-Leitung	2-2112966-2	A	7	CuFe2	△	6.0 AWG 10	E = 5.3 G = 5.7 D _{Dr} = 2.9	H = 9.4 K = 9.8 D = 6.2	6.0 mm ² = 2.35 AWG 10 = 2.30	1855636-6		4.5	7.8	11.0	29.3		
	2-962919-2	E	6	CuFe2	△	4.0	E = 4.6 G = 4.8 D _{Dr} = 2.3	H = 7.8 K = 7.8 D = 5.5	4.0 mm ² = 2.34	2-878567-2		4.0	7.1	9.1	28.3		
	1-962919-2	D		CuSn4	△		2-962918-2	E	H = 7.8 K = 7.8 D = 5.5	2.5 mm ² = 1.97 2.0 mm ² = 1.83 1.5 mm ² = 1.69	2-878566-2	539757-2	3.6	6.7	8.7	28.3	
	1-962919-1	D		CuFe2	△			E = 3.8 G = 4.0 D _{Dr} = 1.7									1-962918-1
	2-962917-1	E	5	CuSn4	△	0.5 - 1.0	E = 2.8 G = 3.0 D _{Dr} = 1.1	H = 7.8 K = 7.8 D = 5.5	1.0 mm ² = 1.56 0.75 mm ² = 1.47 0.5 mm ² = 1.38	2-878565-2	539757-2	3.0	6.1	8.1	28.3		
	1-962917-2	D		CuFe2	△		2-962917-1	E = 5.3 G = 5.6 D _{Dr} = 2.9	H = 7.3 K = 7.6 D = 4.6	6.0 mm ² = 2.55 4.0 mm ² = 2.17	2-878968-2		4.5	6.8	9.1	28.8	
	1-962917-1	D		CuSn4	△			E = 4.6 G = 4.8 D _{Dr} = 2.4	H = 6.7 K = 7.0 D = 4.0	4.0 mm ² = 2.33	2-878564-2	539759-2	4.0	6.0	10.8	30.5	
	FLR-WIRE / FLR-Leitung	2-968050-1	A	4	CuFe2	△	6.0	E = 5.3 G = 5.6 D _{Dr} = 2.9	H = 7.3 K = 7.6 D = 4.6	6.0 mm ² = 2.55 4.0 mm ² = 2.17	2-878968-2		4.5	6.8	9.1	28.8	
		1-968050-1	A		CuSn4	△		2-962846-1	E = 4.6 G = 4.8 D _{Dr} = 2.4	H = 6.7 K = 7.0 D = 4.0	4.0 mm ² = 2.33	2-878564-2	539759-2	4.0	6.0	10.8	30.5
1-962846-2		C	CuFe2		△	E = 3.8 G = 4.0 D _{Dr} = 1.7			H = 5.7 K = 5.9 D = 3.2	2.5 mm ² = 1.97 2.0 mm ² = 1.83 1.5 mm ² = 1.69	2-878563-2	539759-2	3.6	5.2	9.0	28.7	
2-968050-2		A	4	CuFe2	△	6.0	E = 5.3 G = 5.6 D _{Dr} = 2.9	H = 7.3 K = 7.6 D = 4.6	6.0 mm ² = 2.35	2836646		4.5	6.8	9.1	28.8		
2-963736-2		C		3	CuFe2		△	4.0	E = 4.6 G = 4.8 D _{Dr} = 2.3	H = 5.5 K = 5.7 D = 3.2	4.0 mm ² = 2.33	2-878562-2		4.0	5.9	9.3	29.0
2-963736-1		C			CuSn4		△		2-963735-2	E = 3.8 G = 4.0 D _{Dr} = 1.7	H = 4.5 K = 4.7 D = 2.6	2.5 mm ² = 1.97 2.0 mm ² = 1.83 1.5 mm ² = 1.69	2-878561-2		3.5	5.1	8.1
1-963736-1		B	CuFe2		△	E = 2.8 G = 3.0 D _{Dr} = 1.1	H = 3.3 K = 3.5 D = 1.8			1.0 mm ² = 1.56 0.75 mm ² = 1.47 0.5 mm ² = 1.38	2-878654-2	539759-2	3.0	4.6	6.8	26.5	
2-963735-1		B	1	CuSn4	△	0.5 - 1.0	E = 2.2 G = 2.2 D _{Dr} = 0.8	H = 3.1 K = 3.1 D = 1.4	-	-		2.5	3.7	5.7	26.5		
2-963734-2		C		CuFe2	△			2-965984-1	E = 2.2 G = 2.2 D _{Dr} = 0.8	H = 3.1 K = 3.1 D = 1.4	-	-		2.5	3.7	5.7	26.5
2-963734-1		C		CuSn4	△				2-965984-1	A	2.5	3.7	5.7	26.5			