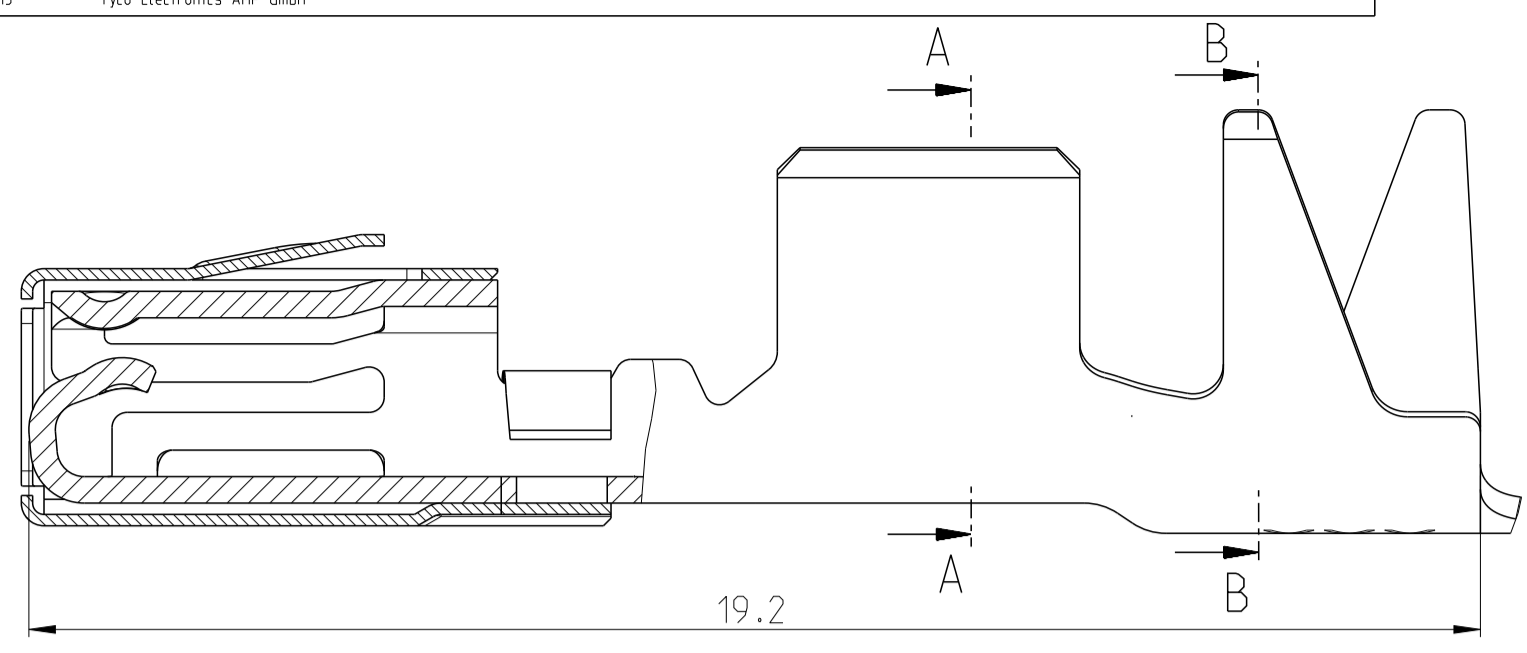


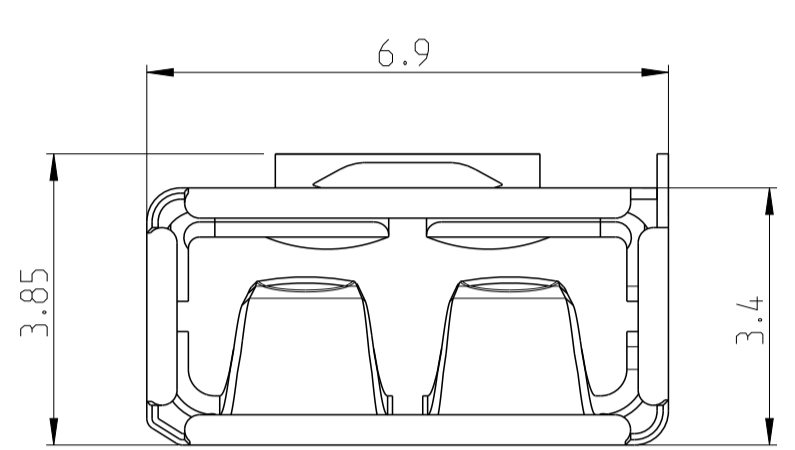
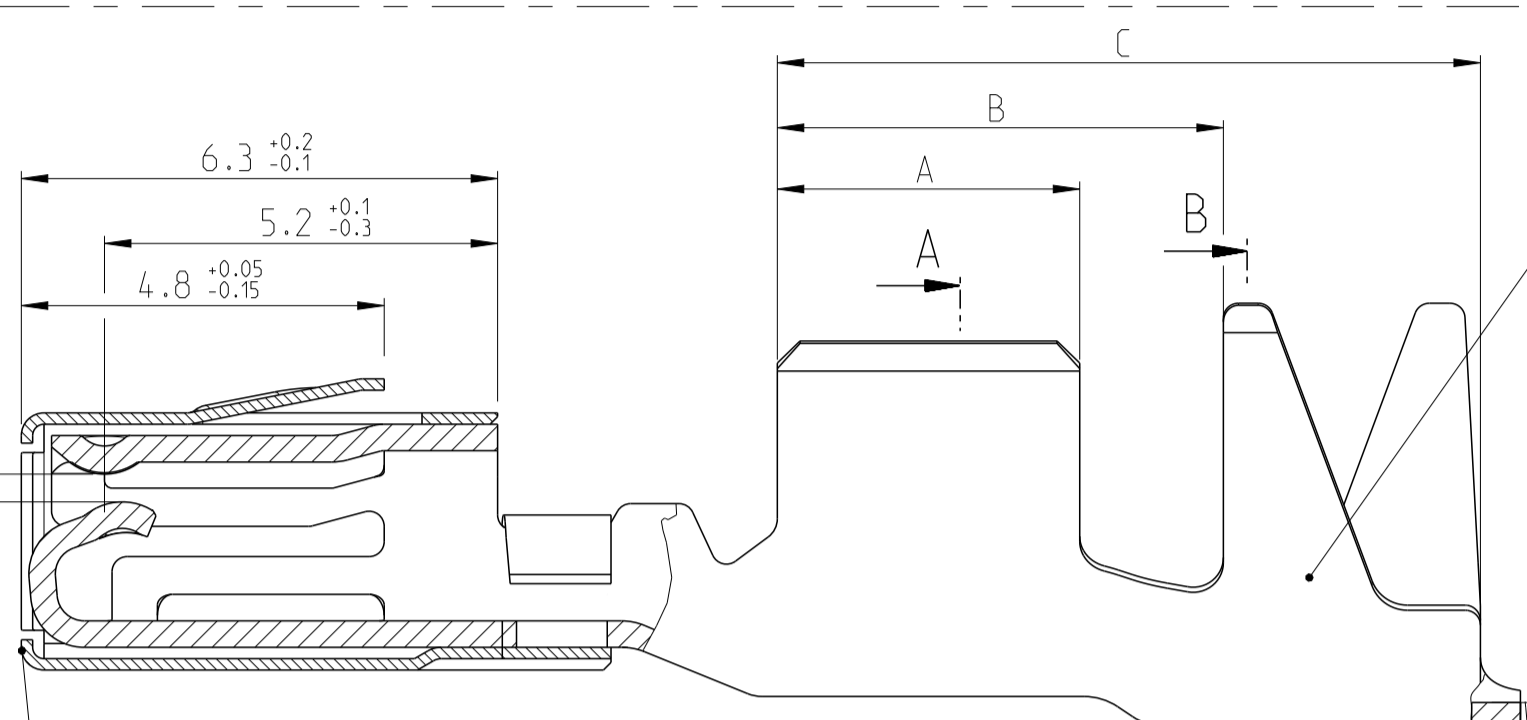
REVISIONS				
P.	LTN	DESCRIPTION	DATE	APPV
C7	ECR-14-015440		160C12014	MN Sche
C8	NEW VARIANTS ADDED. NEW 3D-DRAW.	CREATED 07MAY2015		Mgh Schim
C9	ADDED NEW VARIANTS: PCN-23-182839		31JUL2023	KMD CASS



STANDARD APPLICATION  
normale Anwendung

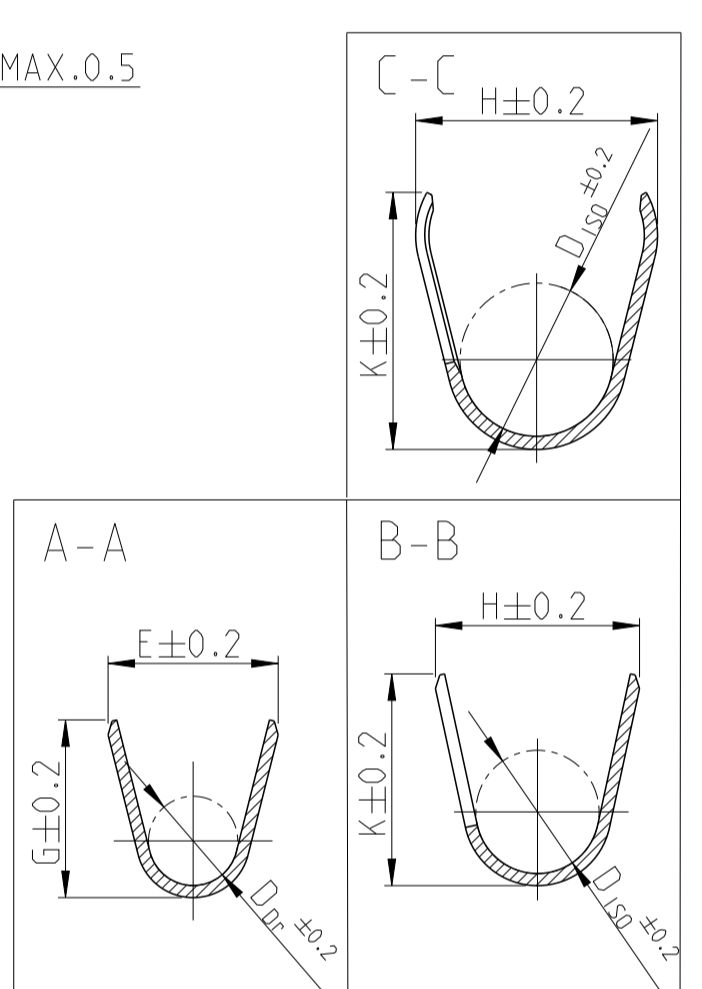
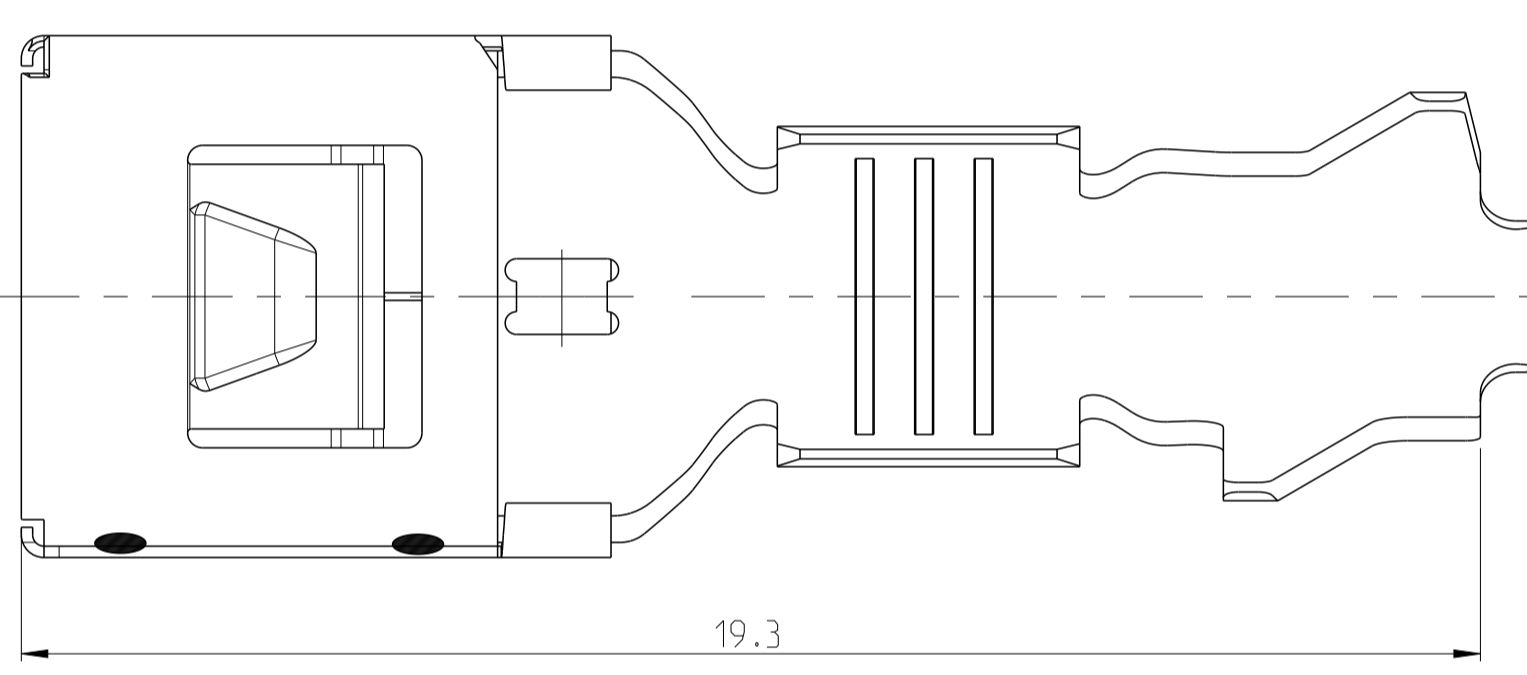
CONTACT BODY / Kontaktkoerper  
MATERIAL / Werkstoff CuNiSi  
SURFACE / Oberflaeche: 0.8-2.0µm Sn

(SHOWN WITHOUT CRIMPING AREA)  
(ohne Crimpbereich dargestellt)



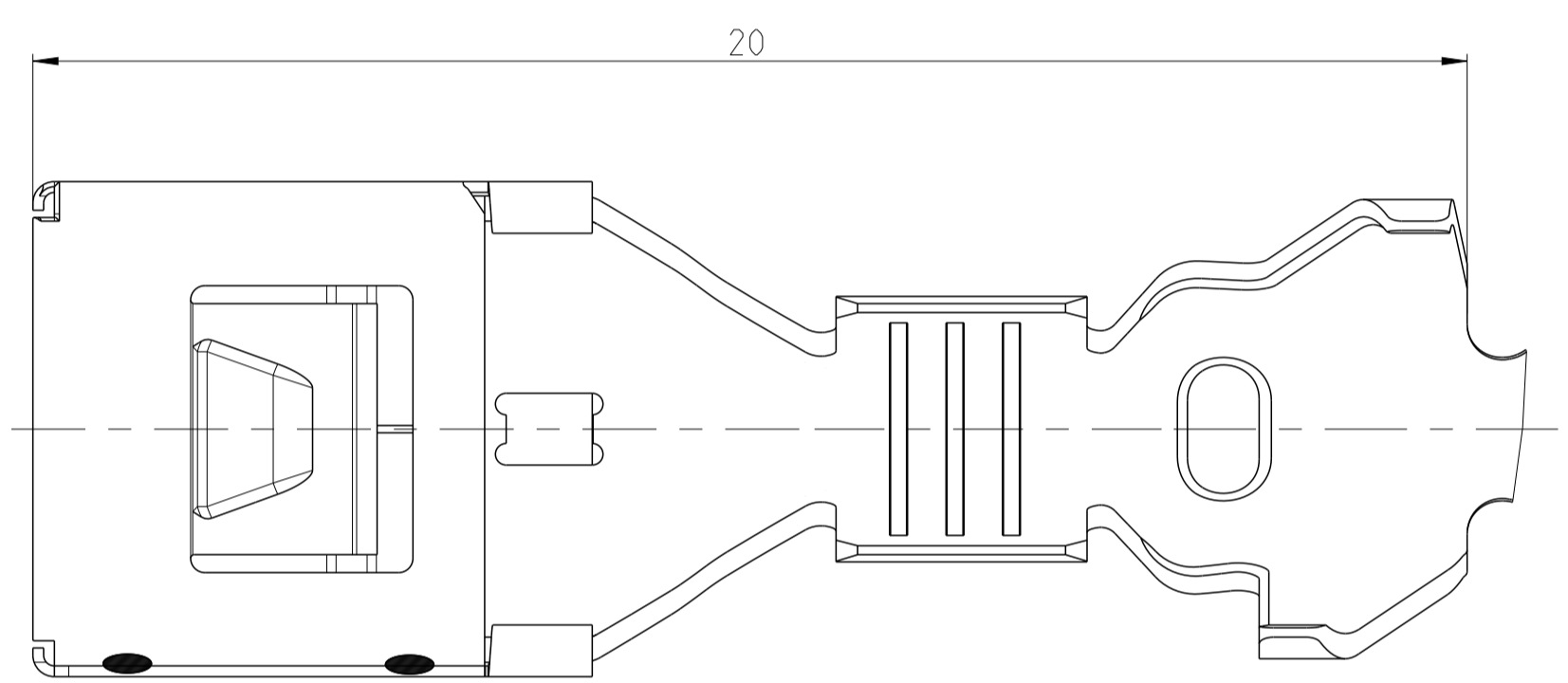
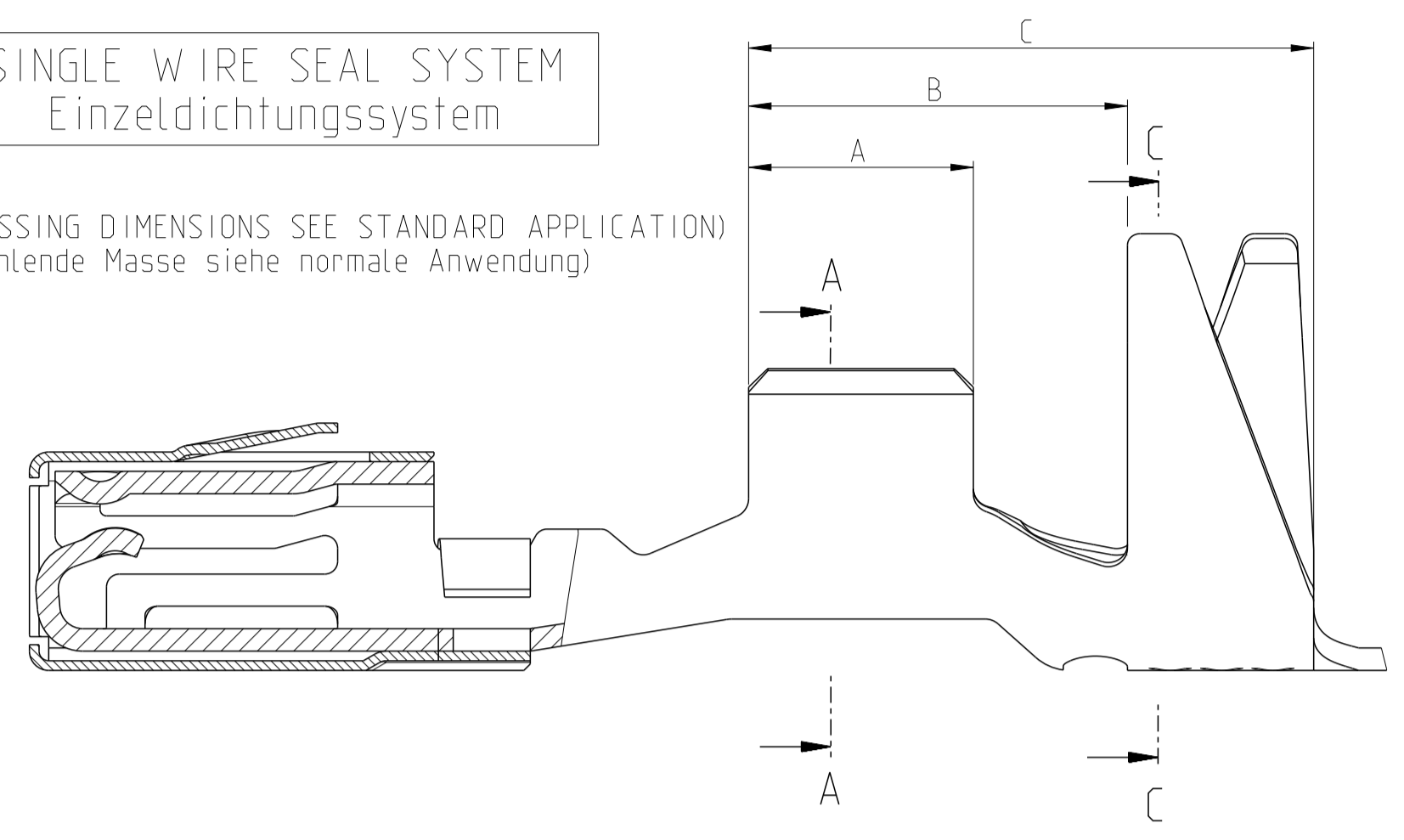
LOCKING SPRING / Ueberfeder  
MATERIAL / Werkstoff X12CrNi177 K1  
SURFACE / Oberflaeche: PLAIN / blank

CUT OFF MAX.0.5  
Abschnitt



SINGLE WIRE SEAL SYSTEM  
Einzeldichtungssystem

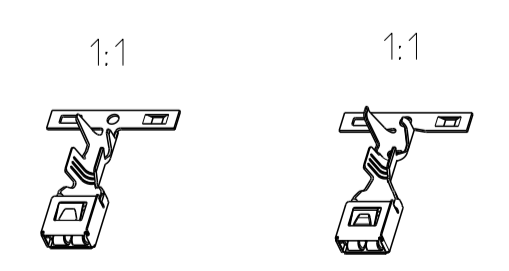
(MISSING DIMENSIONS SEE STANDARD APPLICATION)  
(Fehlende Masse siehe normale Anwendung)



					A	B	C	T	E	G	D <sub>Dr</sub>	H	K	D <sub>ISO</sub>	SUITABLE SINGLE WIRE SEAL Zugehoerige Einzeldichtung			SUITABLE RUBBER PLUG Zugehoeriger Blindstopfen				
-	-	-	-	-	> 4.0-6.0	4.5	6.9	9.5	0.4	5.3	5.6	2.9	8.15	8.1	6.0	S	0.8	5.5	BLUE blau	1719972-1	transparent NATURAL	967652-1
1719973-2	A	-	-	X	> 2.5-4.0	4.0	6.4	9.3	0.35	4.5	4.7	2.3	6.9	7.3	4.3	S	0.8	4.1	GREEN gruen	967608-1		
968122-4	F	-	-	△	> 1.0-2.5	3.5	5.9	8.8	0.35	3.7	3.9	1.7	6.4	6.8	4.05	S	0.8	4.1	YELLOW gelb	967607-1		
968122-3	F	-	-	△	> 4.0-6.0	4.5	6.4	9.3	0.4	5.3	5.6	2.9	6.5	6.5	4.0	S	0.8					
968122-2	F	-	X	-	> 2.5-4.0	4.0	5.9	9.3	0.35	4.5	4.7	2.3	5.4	5.6	3.2	S	0.8					
968121-4	F	-	-	△	> 1.0-2.5	3.5	5.1	8.1	0.35	3.7	3.9	1.7	4.3	4.7	2.6	S	0.8					
968121-2	F	-	X	-																		
1670854-4	A	8.5	-	△																		
1670854-3	A	8.5	-	△																		
1670854-2	A	8.5	X	-																		
1241602-2	C	6	△	X																		
968073-4	A	7	-	△																		
968073-3	A	7	-	△																		
968073-2	F	7	X	-																		
1241601-2	C	6	△	X																		
968072-3	A	7	-	△																		
968072-2	F	7	X	-																		

NOTES  
Bemerkungen

- ONLY THE GERMAN-LANGUAGE VERSION SHALL BE BINDING  
Massgebend ist der deutsche Text
  - SUITABLE FOR PIN CONTACT SEE DRAWING:  
Passend zu Stiftkontakt:  
TE: 1241639
  - FOR FLR-CONDUCTOR ACCORDING TO DIN 72551, PART 6 ONLY  
Nur fuer FLR-Leitungen nach DIN 72551, Teil 6
  - DETAILS OF DESIGN ARE LEFT TO MANUFACTURER  
Einzelheiten der Ausfuehrung bleiben dem Hersteller ueberlassen
- △ PITCH SEE DRAWING FOR CONNECTOR  
(NOTE ACCORDING CONTACTS)  
Raster siehe Zeichnung fuer Steckverbinder  
(Bemerkung zugehoerige Kontakte)
- △ PITCH 6, NOT FOR NEW APPLICATIONS  
Raster 6, nicht fuer Neuanwendung (ab Jan 2003)
- △ 3-6µm ELECTROPLATED SILVER  
3-6µm galvanisch Silber
- △ MIN. 0.8µm PdNi OVER MIN. 1.2µm Ni  
Min. 0.8µm PdNi ueber min. 1.2µm Ni



THIS DRAWING IS A CONTROLLED DOCUMENT.		OWN M. STEIN 06SEP2001	TE Connectivity	
DIMENSIONS: mm		CHK D. Kuempel 06SEP2001	NAME Power Quadlok Buchsenkontakt	
TOLERANCES UNLESS OTHERWISE SPECIFIED: 1. PLC # n. ISO 8015 2. PLC # n. ISO 2768- 3. PLC # n. DIN 16901 4. PLC # n. DIN 16901		APVD	PRODUCT SPEC 108-18476-1	
MATERIAL see drawing		FINISH see drawing	APPLICATION SPEC 114-18141-1	
TE-Bestell-Nr. TE ORDER NO. 1452718		Farbe COLOUR		TE-Bestell-Nr. TE ORDER NO. 1452718
REV. Raster △		Oberflaeche SURFACE		VERSION
Drahtgroessenbereich WIRE SIZE RANGE [mm²]		Crimplaengen CRIMP LENGTHS [mm]		Drahtcrimp WIRE CRIMP [mm]
Isolationcrimp INSULATION CRIMP [mm]		Art KIND		Gramm GRAMM
Ø-Bund Einzeld. BUNCH SEALING DIA [mm]		Farbe COLOUR		TE-Bestell-Nr. TE ORDER NO. 1452718
MATERIAL		FINISH		WEIGHT
Customer Drawing		SCALE 5:1		SHEET 1 OF 1