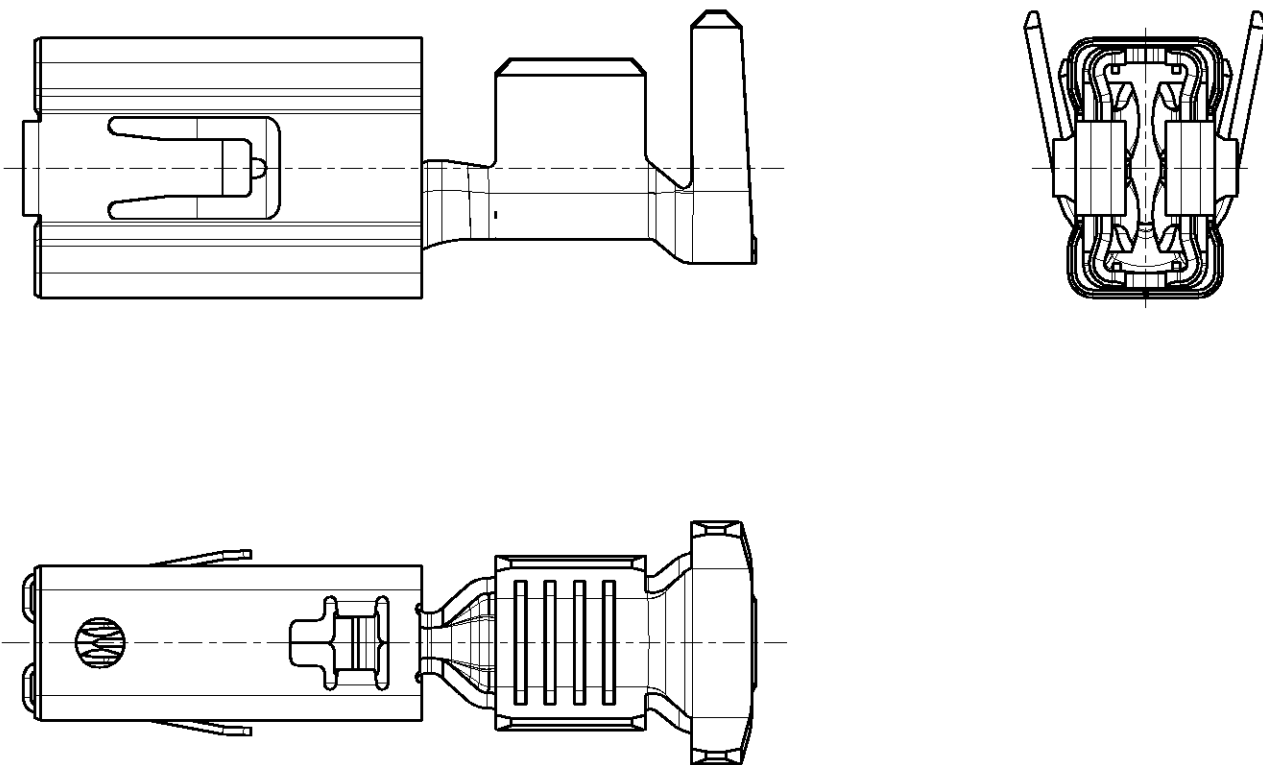


| LOC | DIST | REVISIONS | | | | |
|-----|------|-------------|-------------|-----------|------|---|
| P | LTR | DESCRIPTION | DATE | DWN | APVD | |
| A1 | - | A | NEW DRAWING | 03DEC2001 | R.M. | - |
| | | | | | | |
| | | | | | | |




REFER TO PRODUCT GROUP DRAWING 1241438
FOR LATEST INFORMATION ON THE PART

Für aktuelle Information zum Teil wird auf die
Produkt - Gruppenzeichnung 1241438 hingewiesen

THIS DRAWING IS UNPUBLISHED. RELEASED FOR PUBLICATION 2001

© COPYRIGHT 2001 BY TYCO ELECTRONICS CORPORATION. ALL RIGHTS RESERVED.

| | | | | | | |
|--|------------------|-----------|---|-----------|--------------|---------------|
| DIMENSIONS: mm | DWN | 03DEC2001 | MATERIAL | - | FINISH | - |
| | CHK | 03DEC2001 |  tyco Electronics AMP GmbH D - 64625 Bensheim | | | |
| TOLERANCES UNLESS OTHERWISE SPECIFIED: | R. Schäfer | - | | | | |
| 0 PLC ± | APVD | - | SIZE | CAGE CODE | DRAWING NO | RESTRICTED TO |
| 1 PLC ± | PRODUCT SPEC | - | A 4 | 00779 | ©=1241407 | - |
| 2 PLC ± | APPLICATION SPEC | - | CUSTOMER DRAWING | | | |
| 3 PLC ± | WEIGHT | - | SCALE | 5:1 | SHEET 1 OF 1 | REV A |
| 4 PLC ± | | | | | | |
| ANGLES ± | | | | | | |