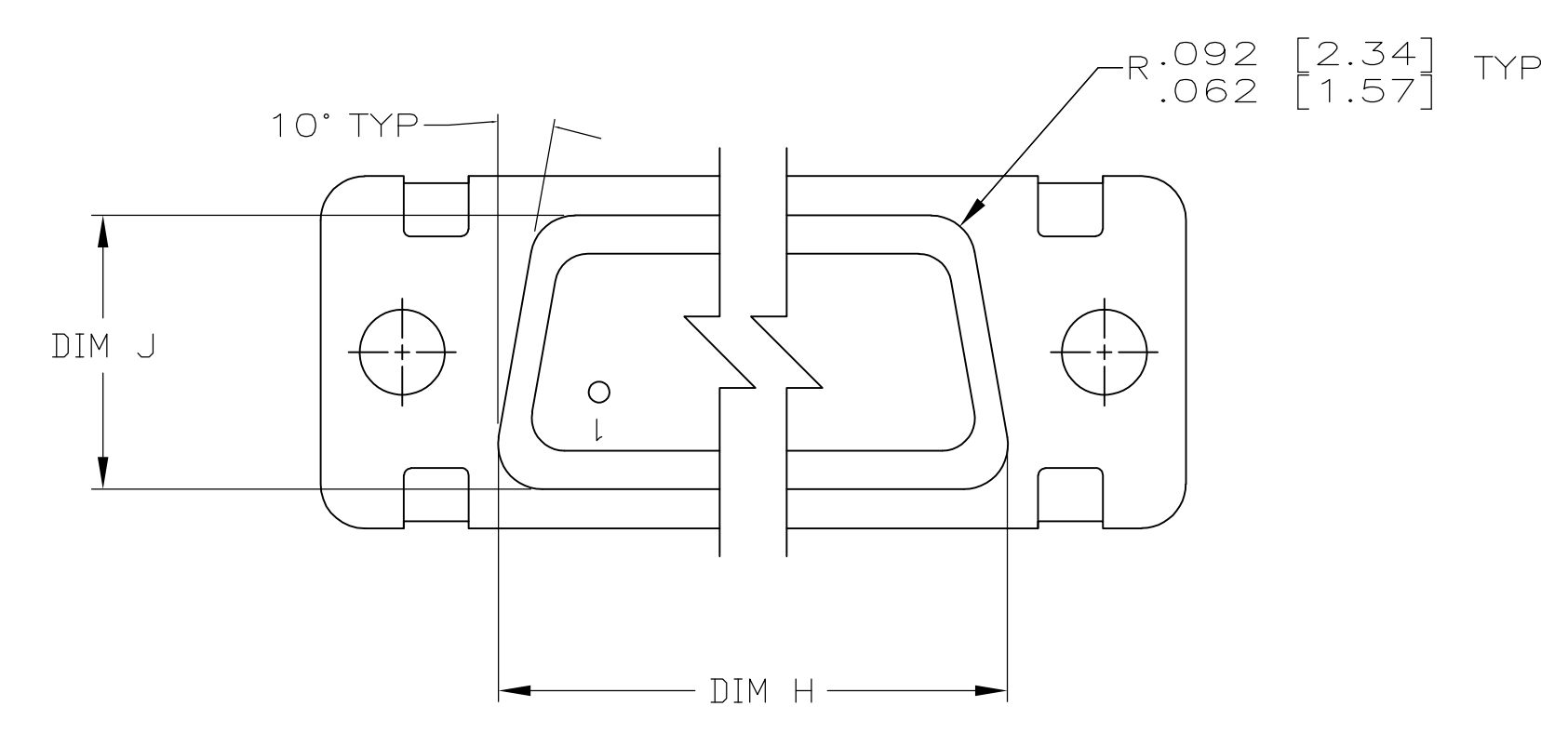
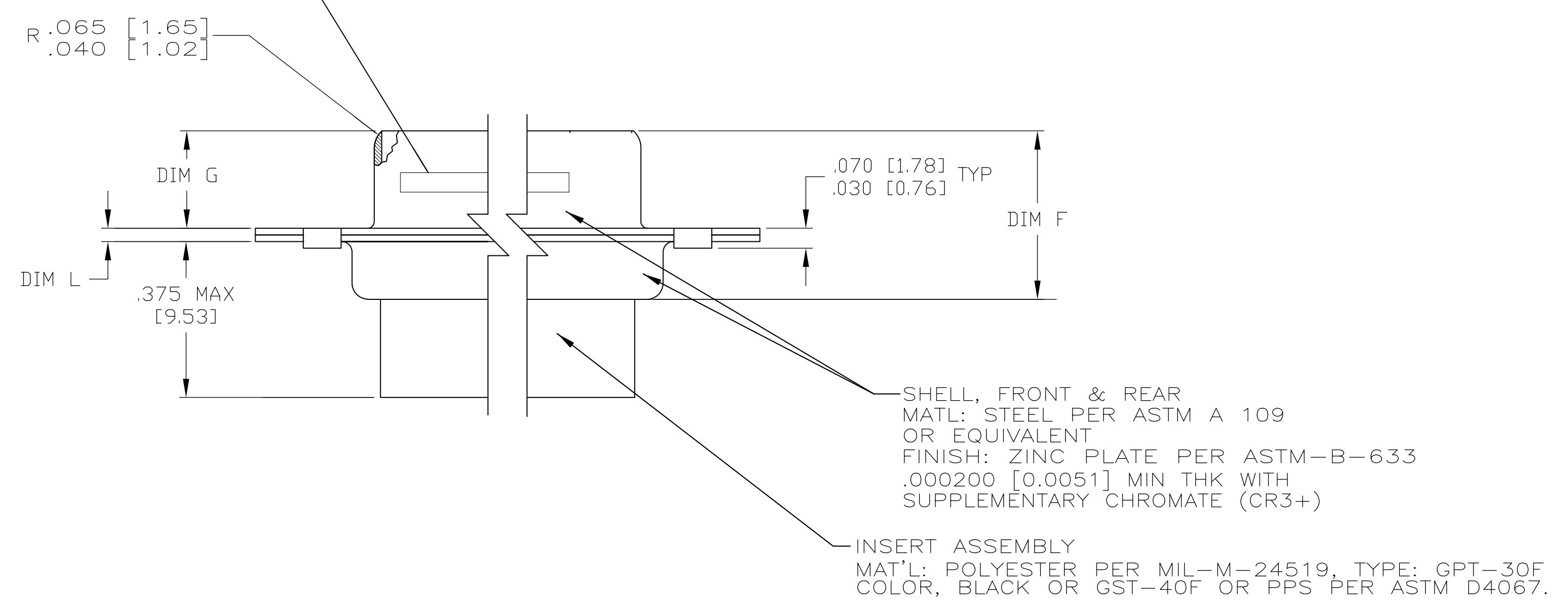


- THE CONNECTORS DESCRIBED IN THIS DOCUMENT MATE WITH ANY RECEPTACLE CONNECTOR WITH THE SAME INSERT ARRANGEMENT.
- MARKED WITH .047 [1.19]-.062 [1.57] HIGH CHARACTERS. FAR SIDE REFERS TO THE WIDE SIDE OF THE KEYSTONE. NEAR SIDE REFERS TO THE NARROW SIDE OF THE KEYSTONE. IF THE FRONT SHELL IS TOO SMALL FOR "AMP", MFG'S PART NUMBER AND DATE CODE, THEN SPLIT AS FOLLOWS:
 - MFG'S PART NUMBER ON REAR SHELL, FAR SIDE.
 - "AMP" AND DATE CODE ON FRONT SHELL, FAR SIDE.

MARK AMP, MFG'S PART NO AND DATE CODE, FAR SIDE.



.049 [1.24]	.606 [15.39]	2.312 [58.72]	.238 [6.05]	.436 [11.07]	.683 [17.35]	.508 [12.90]	2.505 [63.63]	2.217 [56.31]	2.744 [69.70]	MS14004-1	104	6	1218746-6
.029 [0.74]	.586 [14.88]	2.292 [58.22]	.229 [5.82]	.416 [10.57]	.653 [16.59]	.498 [12.65]	2.495 [63.37]	2.207 [56.06]	2.714 [68.94]	MS18277-2	78	5	1218746-5
.049 [1.24]	.544 [13.82]	2.188 [55.58]	.238 [6.05]	.436 [11.07]	.620 [15.75]	.446 [11.33]	2.411 [61.24]	2.084 [52.93]	2.650 [67.31]	MS18276-2	62	4	1218746-4
.029 [0.74]	.524 [13.31]	2.168 [55.07]	.229 [5.82]	.416 [10.57]	.590 [14.99]	.436 [11.07]	2.401 [60.99]	2.074 [52.68]	2.620 [66.55]	MS18275-2	44	3	1218746-3
.049 [1.24]	.432 [10.97]	2.282 [57.96]	.238 [6.05]	.436 [11.07]	.509 [12.93]	.334 [8.48]	2.505 [63.63]	2.187 [55.55]	2.744 [69.70]	MS18274-2	26	2	1218746-2
.029 [0.74]	.412 [10.46]	2.262 [57.45]	.229 [5.82]	.416 [10.57]	.479 [12.17]	.324 [8.23]	2.495 [63.37]	2.177 [55.30]	2.714 [68.94]	MS18273-2	15	1	1218746-1
.049 [1.24]	.432 [10.97]	1.635 [41.53]	.238 [6.05]	.436 [11.07]	.509 [12.93]	.334 [8.48]	1.857 [47.17]	1.539 [39.09]	2.103 [53.42]				
.029 [0.74]	.412 [10.46]	1.615 [41.02]	.229 [5.82]	.416 [10.57]	.479 [12.17]	.324 [8.23]	1.847 [46.91]	1.529 [38.84]	2.073 [52.65]				
.040 [1.02]	.432 [10.97]	1.093 [27.76]	.238 [6.05]	.432 [10.97]	.509 [12.93]	.334 [8.48]	1.317 [33.45]	.999 [25.37]	1.556 [39.52]				
.020 [0.51]	.412 [10.46]	1.073 [27.25]	.229 [5.82]	.412 [10.46]	.479 [12.17]	.324 [8.23]	1.307 [33.20]	.989 [25.12]	1.526 [38.76]				
.040 [1.02]	.432 [10.97]	.769 [19.53]	.238 [6.05]	.432 [10.97]	.509 [12.93]	.334 [8.48]	.989 [25.12]	.671 [17.04]	1.228 [31.19]				
.020 [0.51]	.412 [10.46]	.749 [19.02]	.229 [5.82]	.412 [10.46]	.479 [12.17]	.324 [8.23]	.979 [24.87]	.661 [16.79]	1.198 [30.43]				
L	J	H	G	F	E	D	C	B	A	INSERT ARRANGEMENT	NO OF POS	SHELL SIZE	PART NUMBER

THIS DRAWING IS A CONTROLLED DOCUMENT.

DW	C.C. THOMAS	11-10-00
CHK	R. FROSS	11-10-00
APP'D	R. GROSS	11-10-00

Tyco Electronics Corporation
 Harrisburg, Pa 17105-3608

PLUG ASSY, AMPLIMITE, SERIES 90,
 SIZE 22, ZINC PLATED

SIZE: A1 CAGE CODE: 00779 DRAWING NO: 1218746 RESTRICTED TO: -

CUSTOMER DRAWING SCALE: 4:1 SHEET: 1 OF 1 REV: C