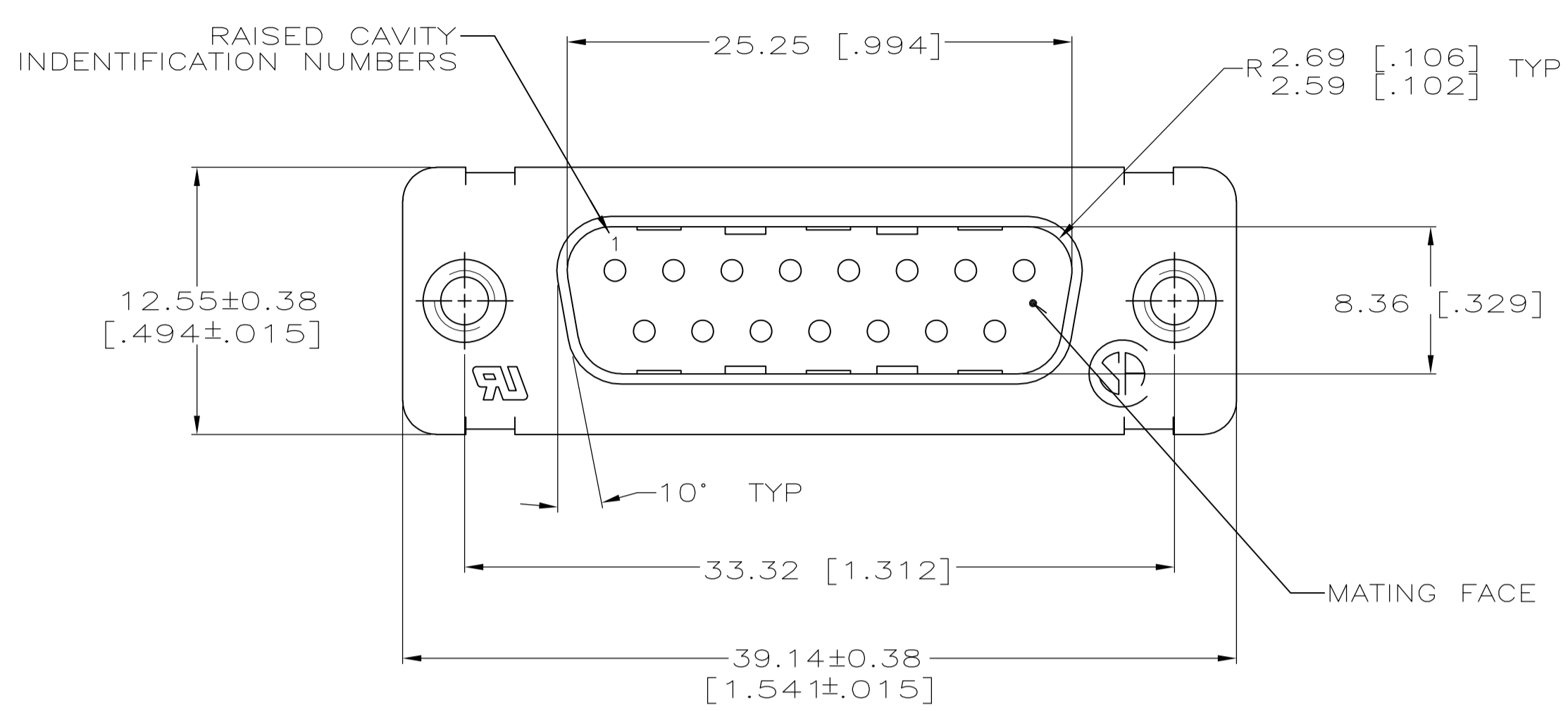
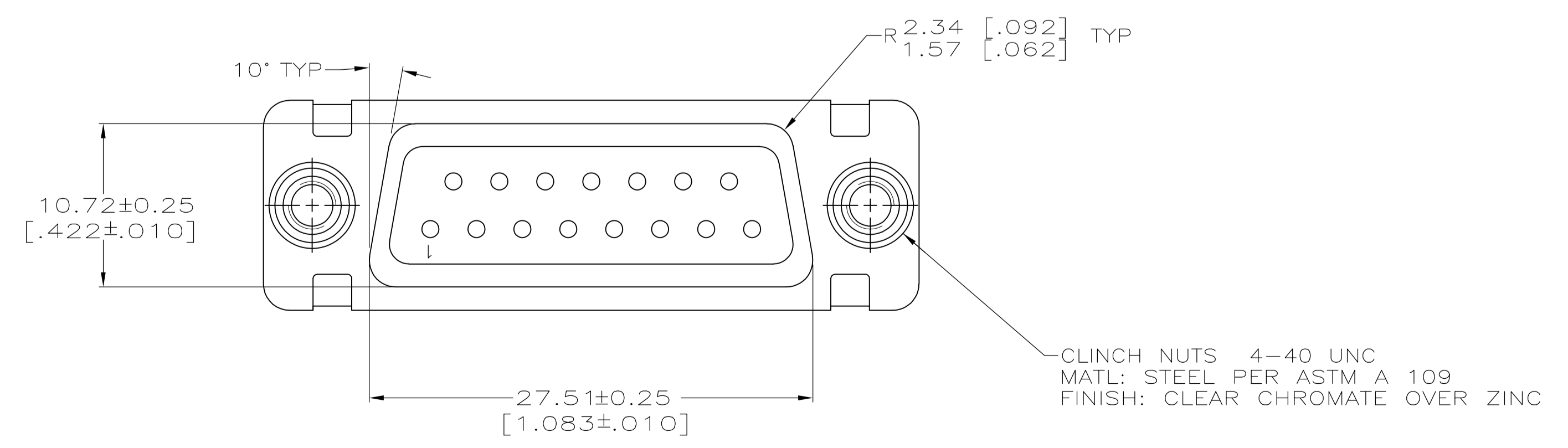
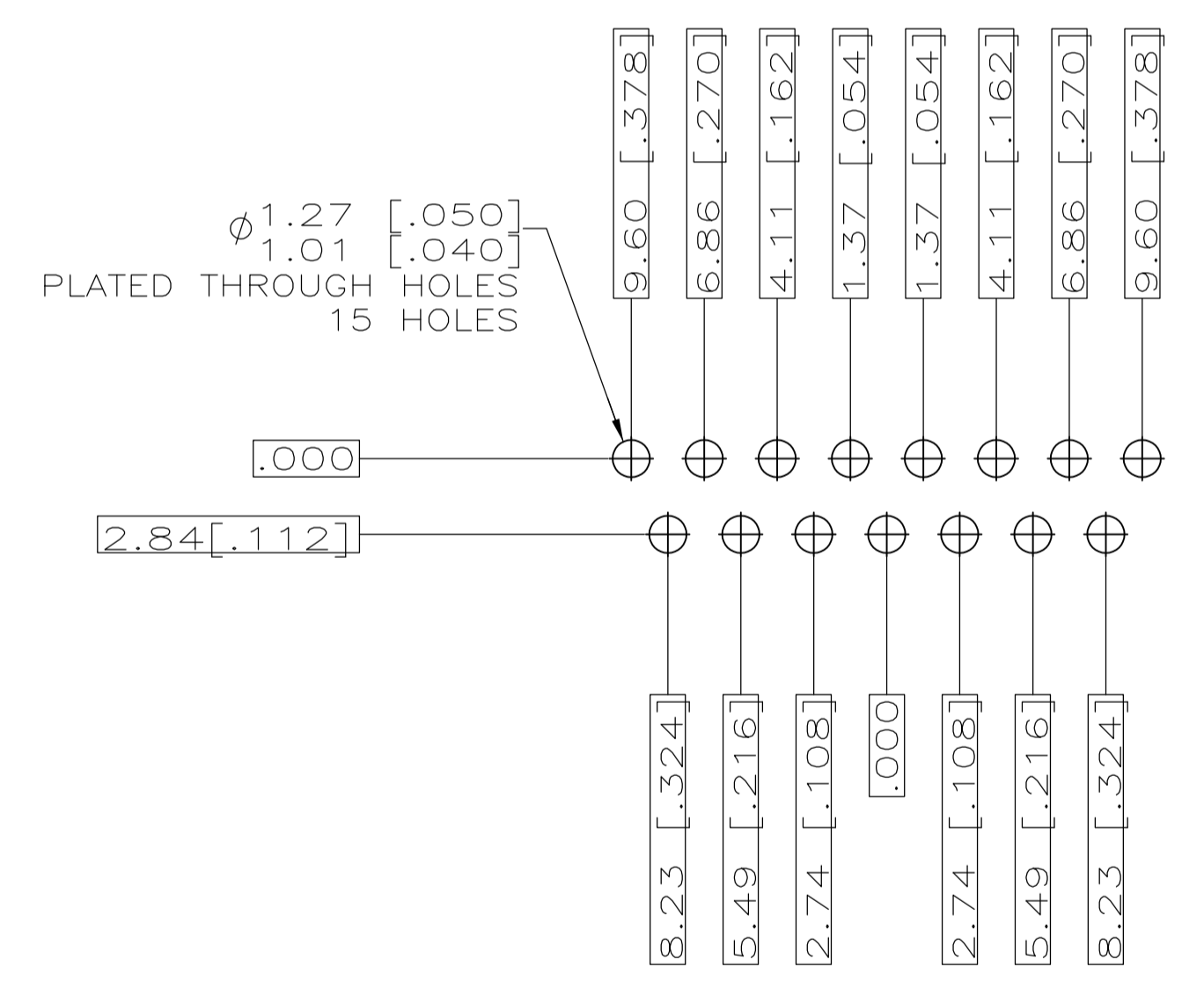
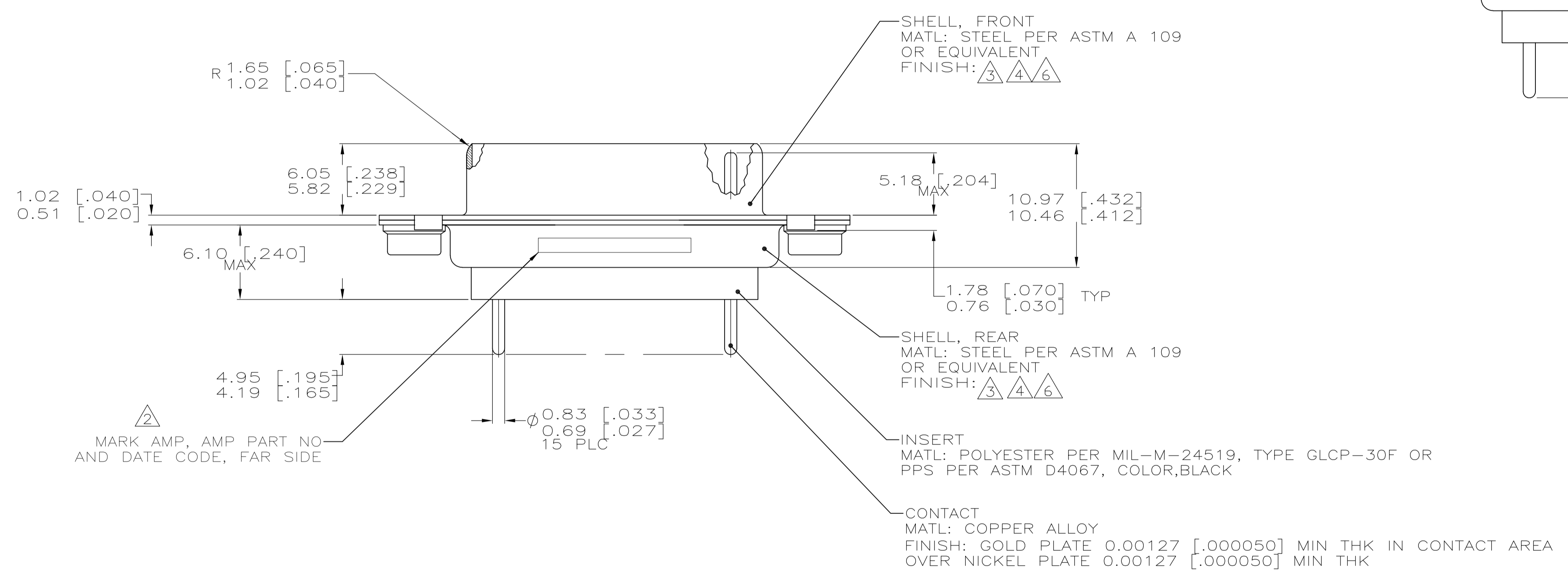
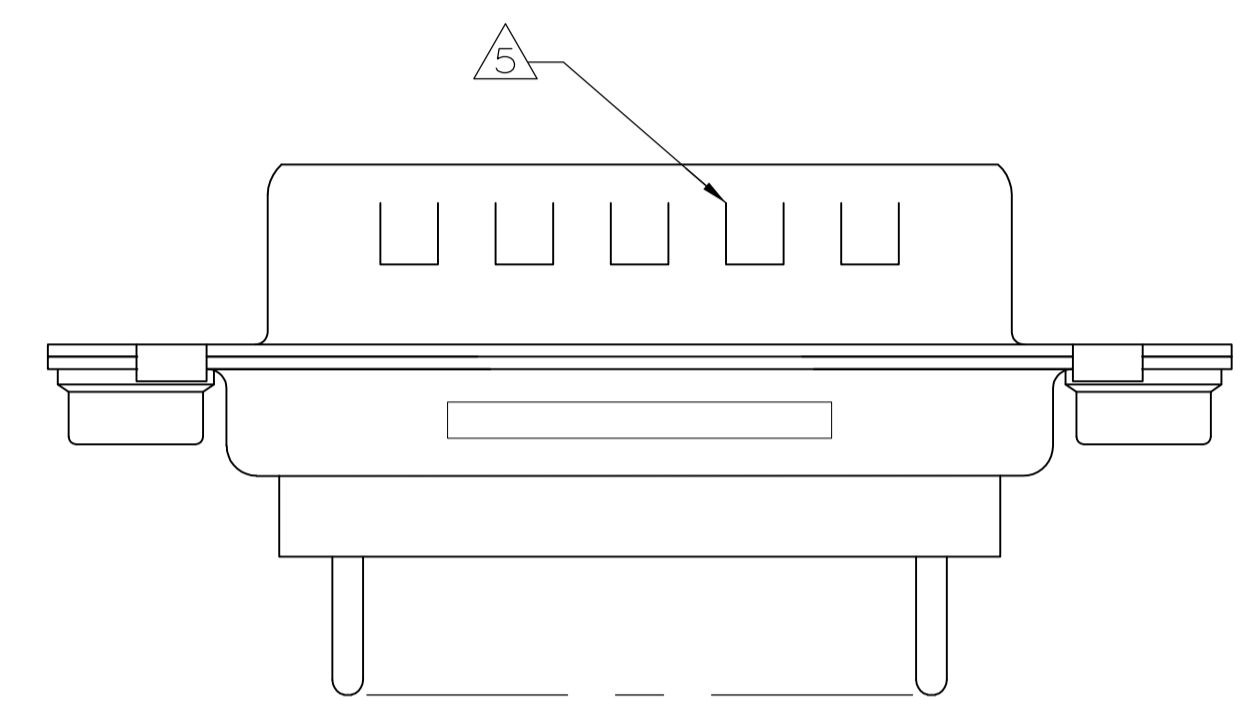


LOC		DIST		REVISIONS			
P	LTR	DESCRIPTION	DATE	DN	APVD		
F		REV PER ECO 15-005420	4-28-15	CT	CD		



- △ TRUE POSITION TOLERANCE FOR P.C.BOARD LAYOUT IS 0.25 [.010] AT MAX MATERIAL CONDITION. SUGGESTED BOARD THICKNESS IS 2.39 [.094].
- △ MARK WITH 1.19 [.047]-1.57 [.062] HIGH CHARACTERS. FAR SIDE REFERS TO THE WIDE SIDE OF THE KEYSTONE. NEAR SIDE REFERS TO THE NARROW SIDE OF THE KEYSTONE. IF THE REAR SHELL IS TOO SMALL FOR "AMP", AMP PART NUMBER, AND DATE CODE, THEN SPLIT AS FOLLOWS:
 - A. AMP PART NUMBER ON REAR SHELL, NEAR SIDE.
 - B. "AMP" AND DATE CODE ON REAR SHELL, FAR SIDE.
- △ FINISH: CADMIUM PER QQ-P-416
- △ FINISH: TIN PLATED PER MIL-T-10727
- △ GROUNDING INDENT APPLIES TO TIN PLATE SHELLS ONLY, AMP PART NUMBER 1218242-2.
- △ FINISH: ZINC PLATED PER ASTM-B-633 .000200-.000400 THK WITH SUPPLEMENTARY CHROMATE (Cr3+).



OBSOLETE	△6	5-1218242-1
	△4	1218242-2
	△3	1218242-1
SHELL FINISH		PART NUMBER

THIS DRAWING IS A CONTROLLED DOCUMENT.		DIN P BRANDBERG 21 MAY 98		TE Connectivity	
DIMENSIONS: INCHES		TOLERANCES UNLESS OTHERWISE SPECIFIED:		APVD H NGUYEN 21 MAY 98	
0 PLC ± -		1 PLC ± -		NAME AMPLIMITE PLUG ASSEMBLY, LOW PROFILE, SIZE 20 POSTED P C BOARD CONTACTS, SERIES 109, 15 POSITION,	
1 PLC ± -		2 PLC ± -		PRODUCT SPEC	
2 PLC ± -		3 PLC ± .005 [0.13]		APPLICATION SPEC	
3 PLC ± -		4 PLC ± -		SIZE A1	
4 PLC ± -		ANGLES ± - 4°		CAGE CODE DRAWING NO 00779 1218242	
MATERIAL SEE CALLOUTS		FINISH SEE CALLOUTS		WEIGHT -	
				CUSTOMER DRAWING SCALE 4:1 SHEET 1 OF 1 REV F	