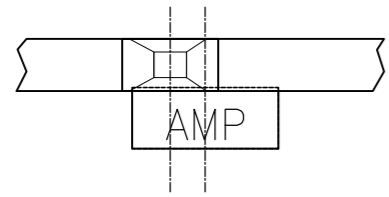
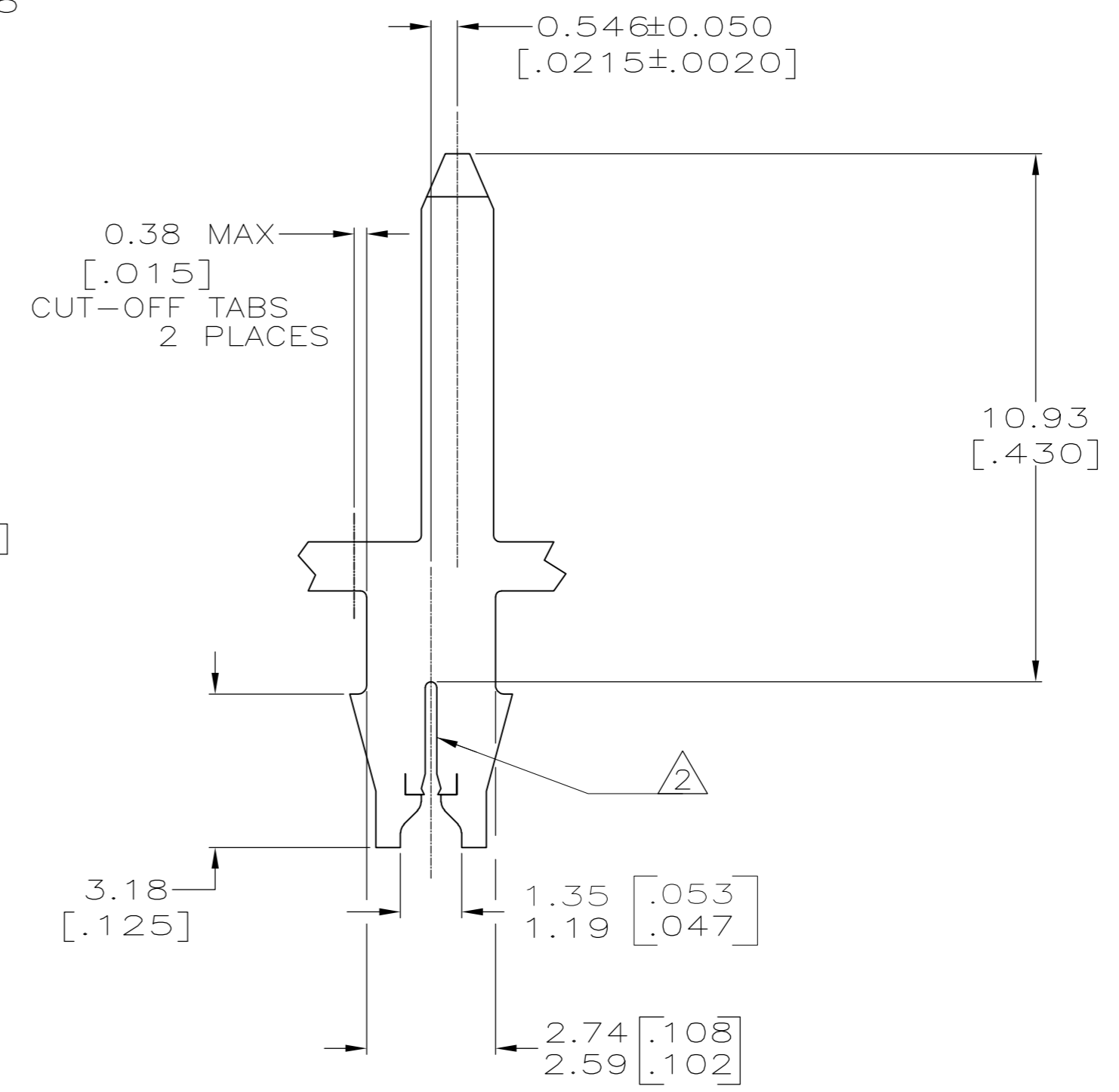
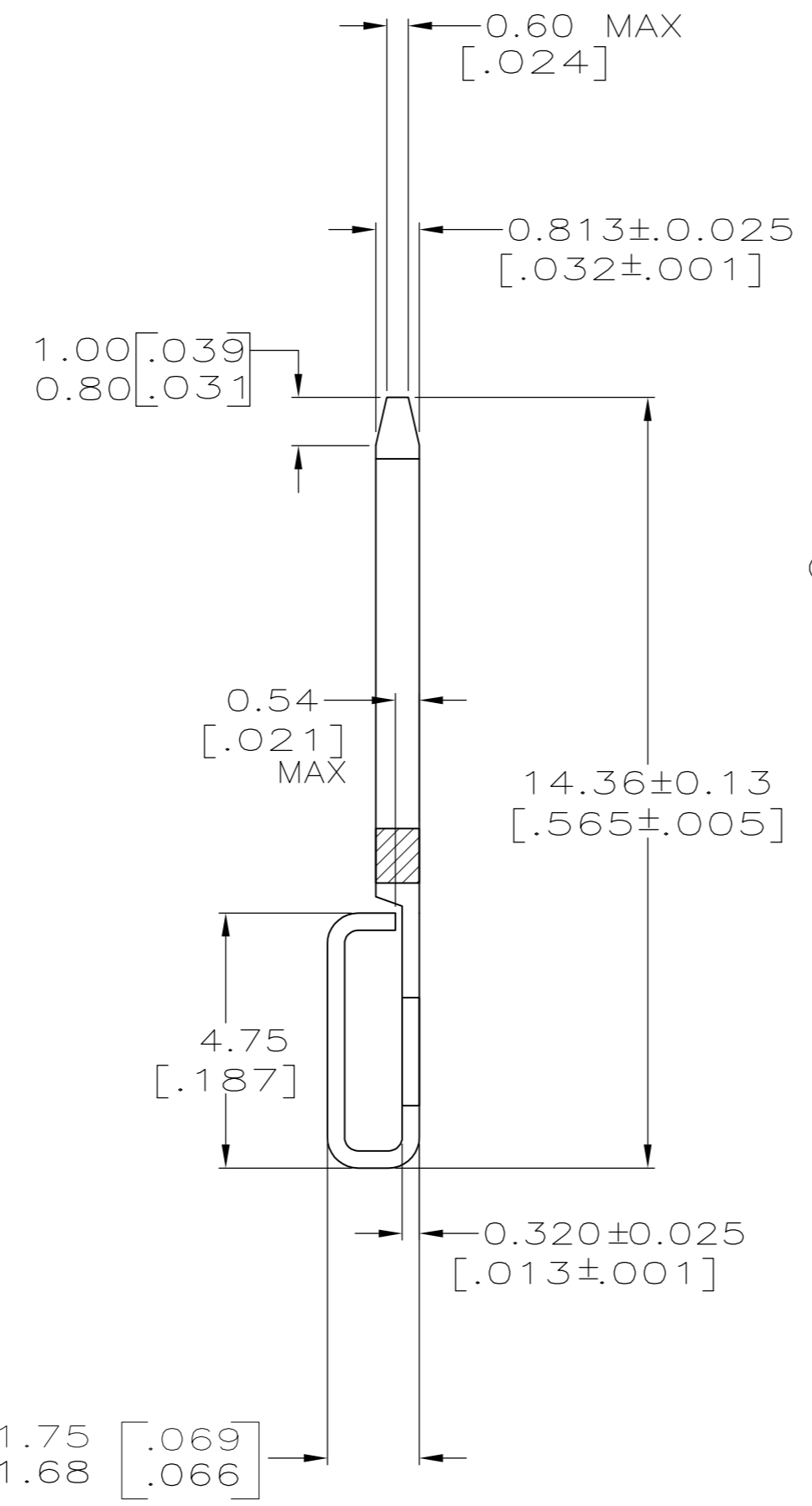
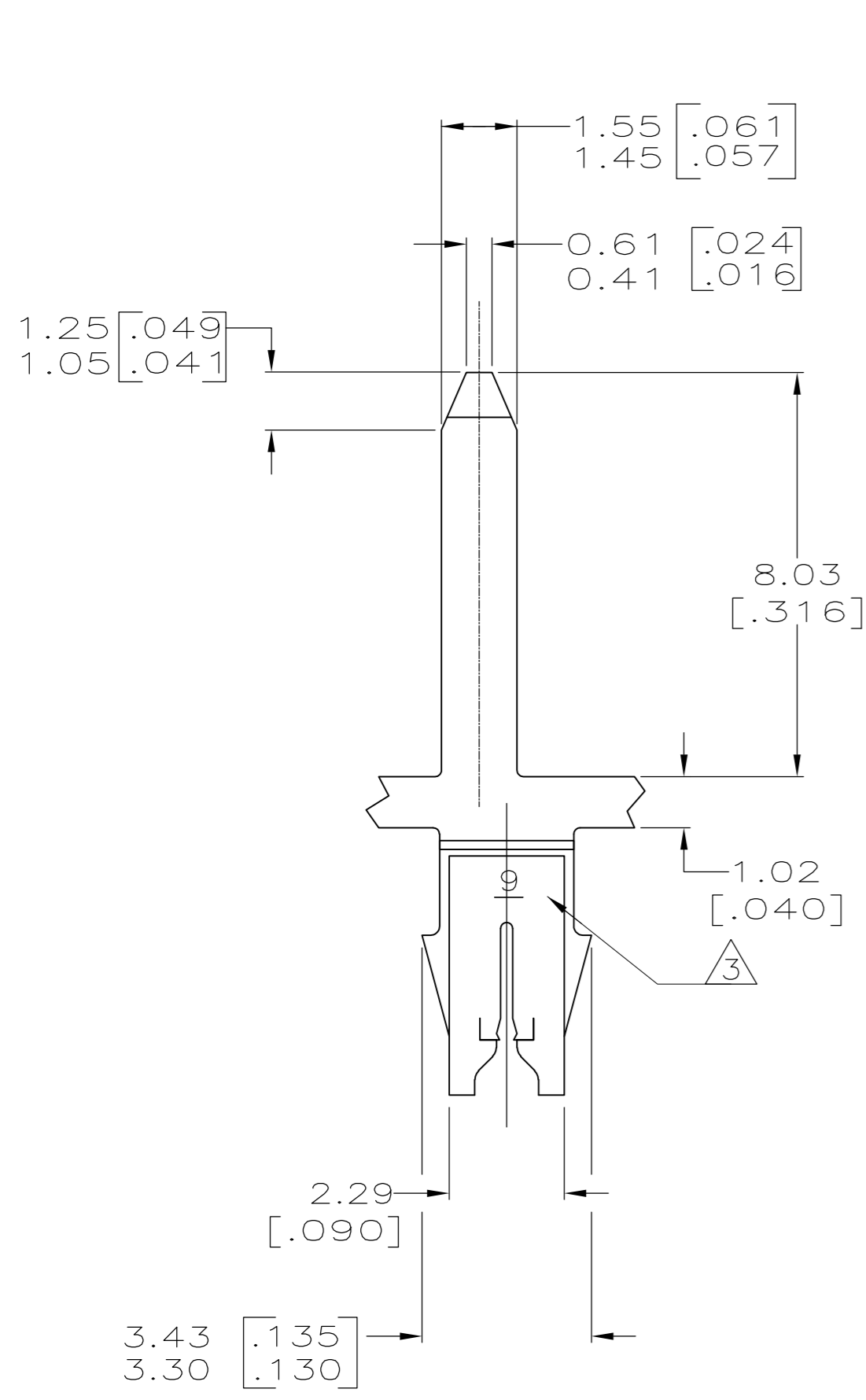


THIS DRAWING IS UNPUBLISHED. RELEASED FOR PUBLICATION
 © COPYRIGHT - By - ALL RIGHTS RESERVED.

LOC		DIST		REVISIONS			
P	LTR	DESCRIPTION	DATE	DWN	APVD		
	C1	ECR-13-016672	25OCT13	PKS	RRP		



- 1 CONTINUOUS STRIP ON REELS WITH TERMINALS LOCATED ON 5.08±0.08 [.200±.003] CENTERS.
- 2 SLOT ACCEPTS 0.36-0.45mm [#27-#25] AWG COPPER MAGNET WIRE
- 3 IDENTIFICATION NUMBER 9 FOR WIRE SLOT SIZE.
- 4 TIN PLATE



1217642-1
PART NUMBER

THIS DRAWING IS A CONTROLLED DOCUMENT.		DWN 15MAY2001 MICHAEL S. FEHER	TE TE Connectivity	
DIMENSIONS: INCHES		CHK 15MAY2001 KURT A. RANDOLPH		
TOLERANCES UNLESS OTHERWISE SPECIFIED:		APVD 15MAY2001 KURT A. RANDOLPH	NAME	
0 PLC ± -		PRODUCT SPEC	TAB, 1.50[.059] SERIES, LEFT HAND, 187 SERIES MAG-MATE™	
1 PLC ± -		APPLICATION SPEC	SIZE	CAGE CODE
2 PLC ± 0.25[.010]		114-2069	A2	00779
3 PLC ± -		WEIGHT	DRAWING NO	
4 PLC ± -		-	C=1217642	
ANGLES ± -		CUSTOMER DRAWING	SCALE	SHEET
FINISH		- 4	8:1	1 of 1
MATERIAL BRASS		RESTRICTED TO		REV
				C1