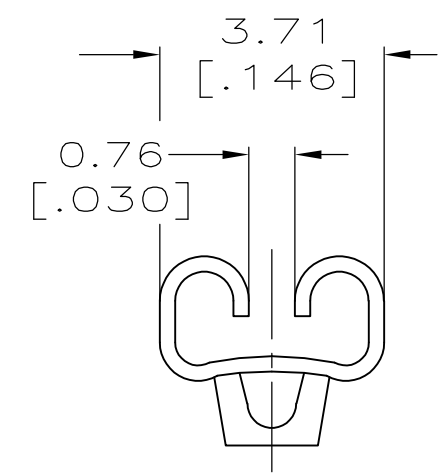
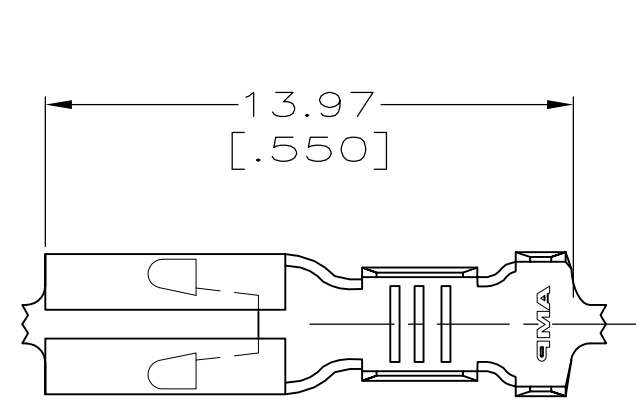


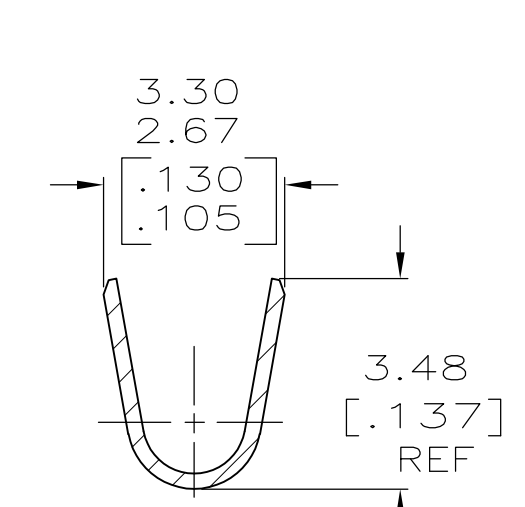
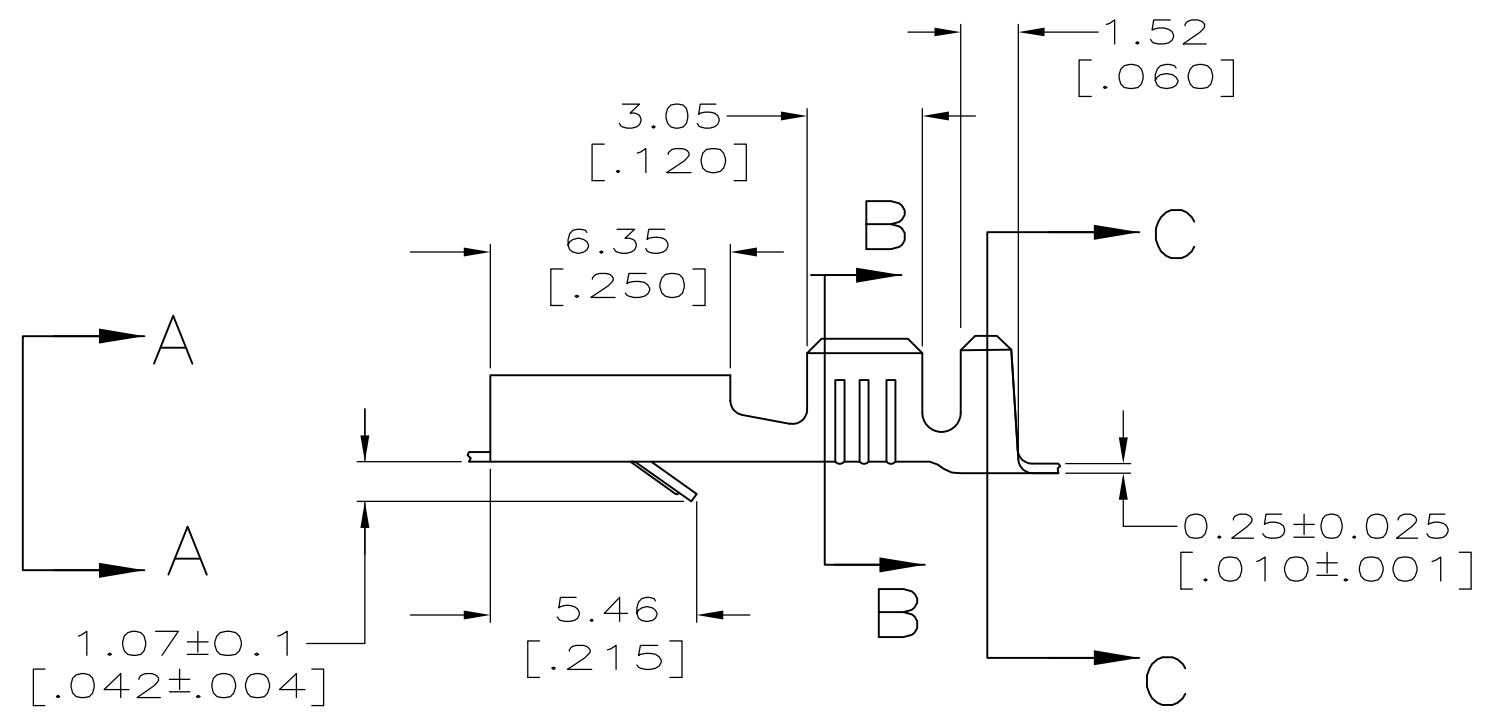
THIS DRAWING IS UNPUBLISHED. RELEASED FOR PUBLICATION
 © COPYRIGHT - By - ALL RIGHTS RESERVED.

LOC	DIST	REVISIONS			
P	LTR	DESCRIPTION	DATE	DWN	APVD
AF	50	J	REVISED PER ECR-13-005733	22AUG2013	KH PD

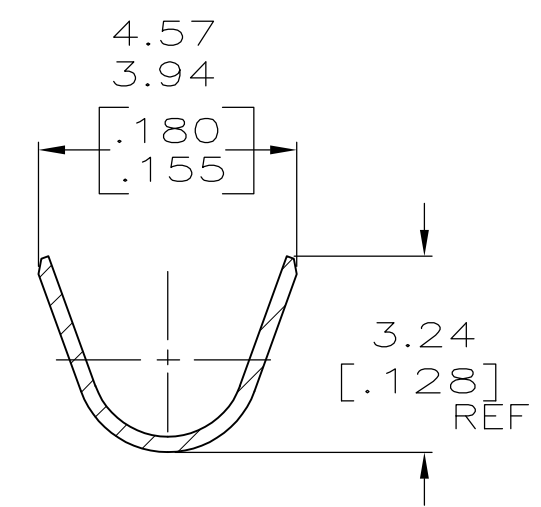


VIEW A-A
SCALE 8:1

- 1 CONTINUOUS STRIP ON REELS.
 - 2 MATING TAB THK TO BE 0.81± 0.025 [0.032±.001].
 - 3 WIRE SIZE IS [#18-#14] AWG.
 - 4 INSULATION RANGE IS 1.52-2.79 [0.060-.110] DIA.
- △ 5 PRELIMINARY - NOT FOR PRODUCTION



SECTION B-B
SCALE 8:1



SECTION C-C
SCALE 8:1

	0.00381 [0.000150] MIN SILVER	△ 5 1217321-3
	PRE-TIN	1217321-2
OBSOLETE	0.002032 [0.000080] MIN TIN	1217321-1
	FINISH	PART NO.

THIS DRAWING IS A CONTROLLED DOCUMENT.		DWN	JR RUTH	20JAN00	STE TE Connectivity		
DIMENSIONS: mm [INCHES]		CHK	MS FEHER	20JAN00			
TOLERANCES UNLESS OTHERWISE SPECIFIED:		APVD	D BRATINA	20JAN00	NAME		
0 PLC ± -		PRODUCT SPEC		RECEPTACLE, FASTIN-FASTON, 2.79 [0.110] SERIES			
1 PLC ± -		APPLICATION SPEC		SIZE			
2 PLC ± 0.38 [0.015]		114-2065		CAGE CODE			
3 PLC ± -		WEIGHT		DRAWING NO			
4 PLC ± -		-		A300779			
ANGLES ± -		CUSTOMER DRAWING		G=1217321			
FINISH		SEE TABLE		RESTRICTED TO			
BRASS		SCALE		SHEET			
		5:1		1 OF 1			
				REV			
				J			