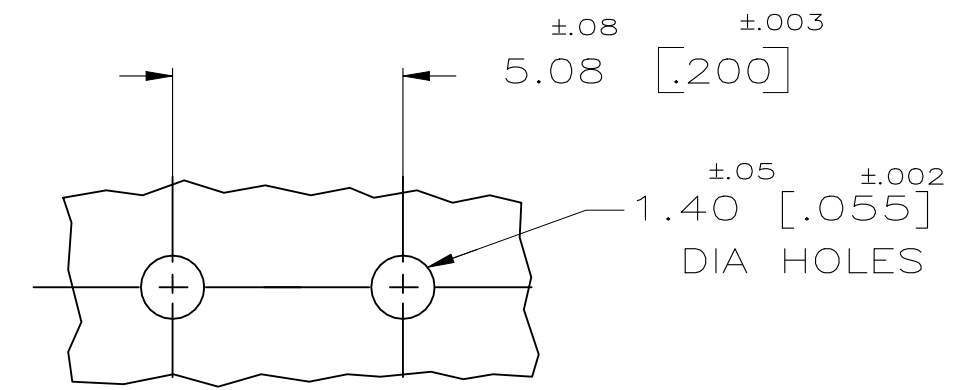
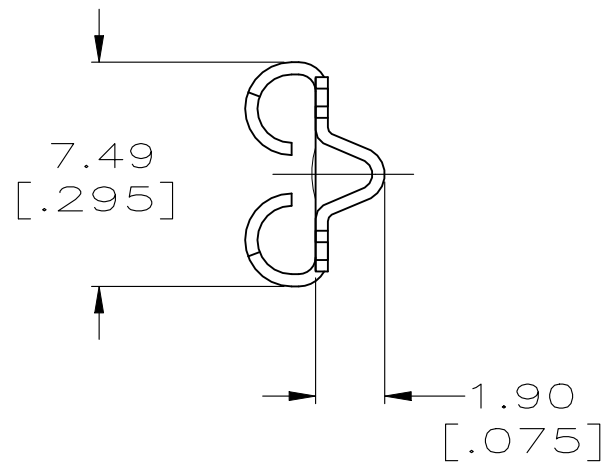
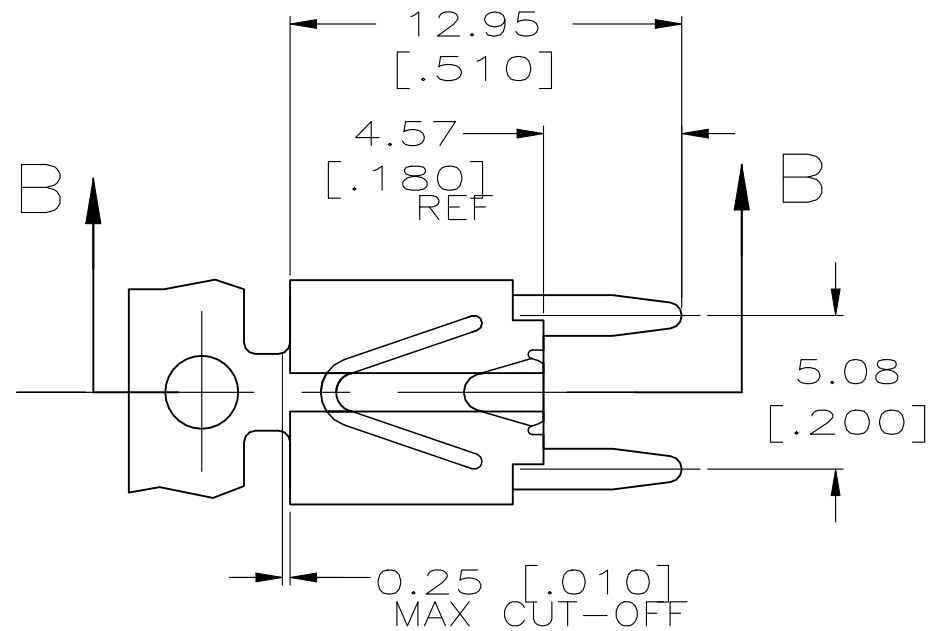
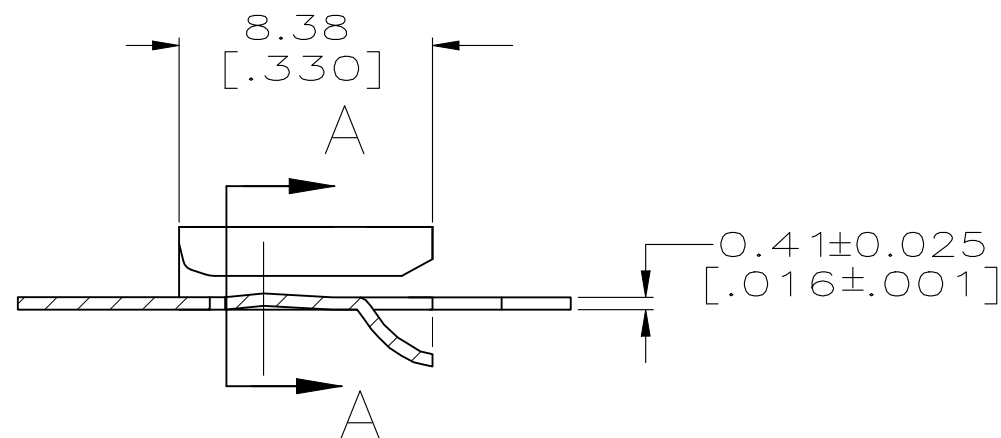


P	LTR	DESCRIPTION	DATE	DWN	APVD
	G	REVISED PER ECN-23-241256	07MAY2024	DB	BW

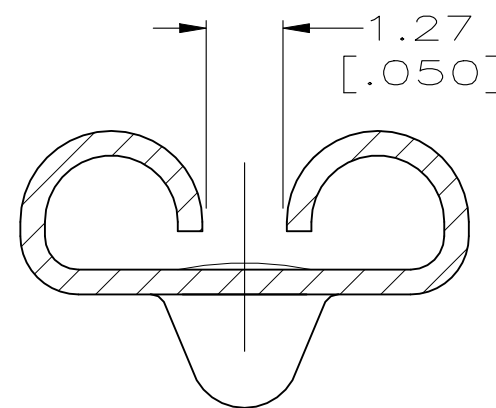
- 1 CONTINUOUS STRIP ON REELS.
- 2 0.00254 [.000100] MIN THK TIN OVER 0.00127 [.000050] MIN NICKEL
- 3 MATING TAB THK IS 0.635±0.025 [.025±.001].
- 4 REVERSE REELING OF -1
- 5 OBSOLETE



P.C.B. HOLES



SECTION B-B



SECTION A-A
SCALE 8:1

4	5	-1217137-2
		1217137-1
PART NO.		

THIS DRAWING IS A CONTROLLED DOCUMENT.		DWN JR RUTH 26JAN99	TE Connectivity														
DIMENSIONS: INCHES		CHK MS FEHER 26JAN99															
TOLERANCES UNLESS OTHERWISE SPECIFIED:		APVD D BRATINA 26JAN99	NAME RECEPTACLE, FASTON, 6.35/5.21 [.250/.205] SERIES, PC BOARD MOUNTED														
<table border="0"> <tr> <td>0 PLC</td> <td>± -</td> </tr> <tr> <td>1 PLC</td> <td>± -</td> </tr> <tr> <td>2 PLC</td> <td>± 0.25 [.010]</td> </tr> <tr> <td>3 PLC</td> <td>± -</td> </tr> <tr> <td>4 PLC</td> <td>± -</td> </tr> <tr> <td>ANGLES</td> <td>± -</td> </tr> </table>		0 PLC	± -	1 PLC	± -	2 PLC	± 0.25 [.010]	3 PLC	± -	4 PLC	± -	ANGLES	± -	PRODUCT SPEC -	APPLICATION SPEC -		
0 PLC	± -																
1 PLC	± -																
2 PLC	± 0.25 [.010]																
3 PLC	± -																
4 PLC	± -																
ANGLES	± -																
MATERIAL BRASS		FINISH -	114-2156	SIZE A3	CAGE CODE 00779	DRAWING NO C-1217137	RESTRICTED TO -										
CUSTOMER DRAWING			WEIGHT 0.000000	SCALE 4:1	SHEET 1 OF 1	REV G											