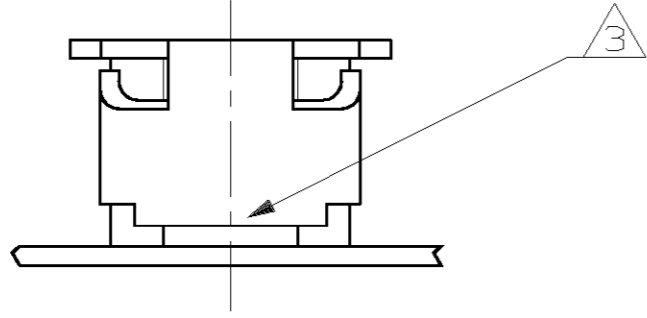
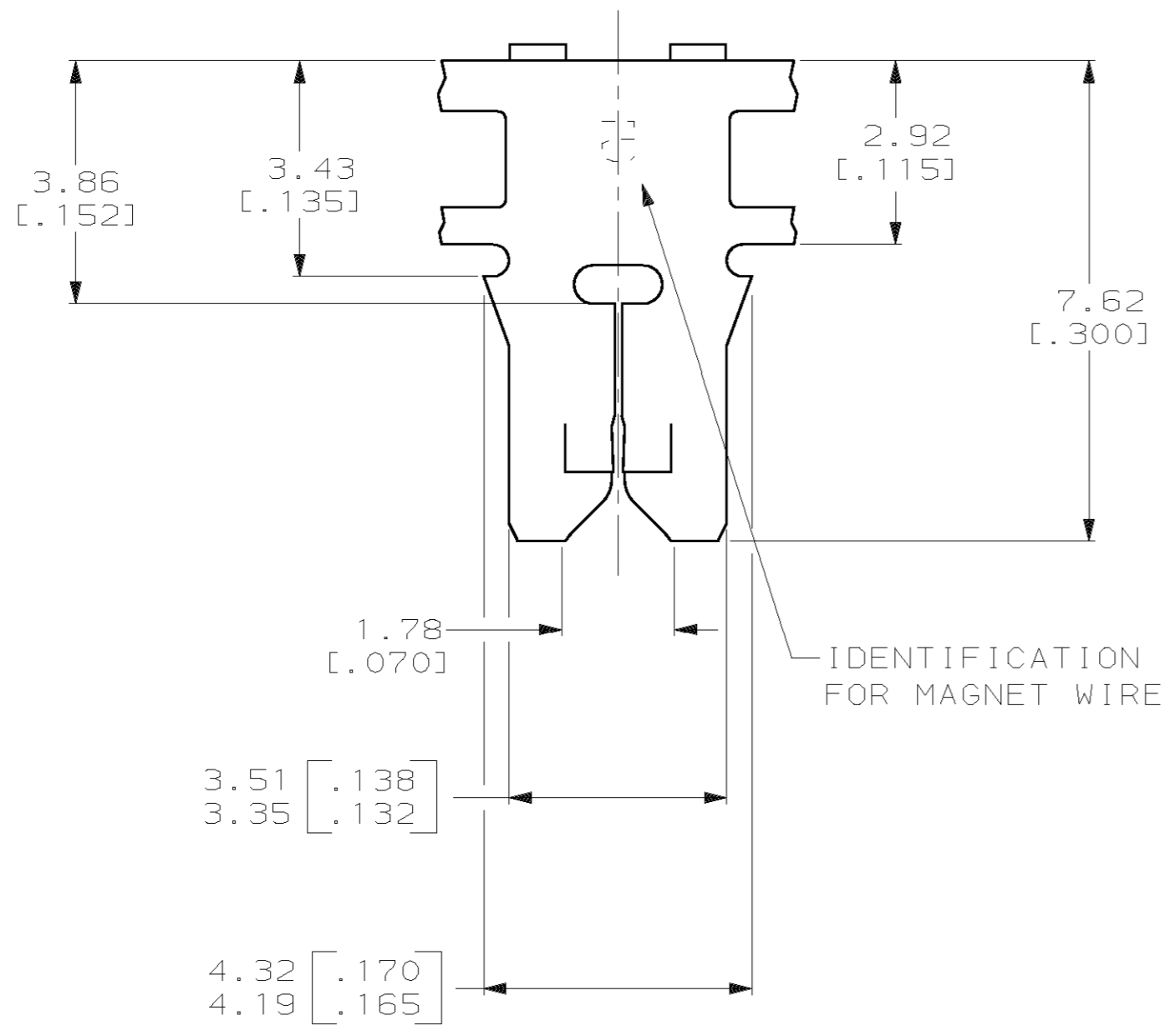


THIS DRAWING IS UNPUBLISHED. RELEASED FOR PUBLICATION .19
 BY AMP INCORPORATED. ALL RIGHTS RESERVED.

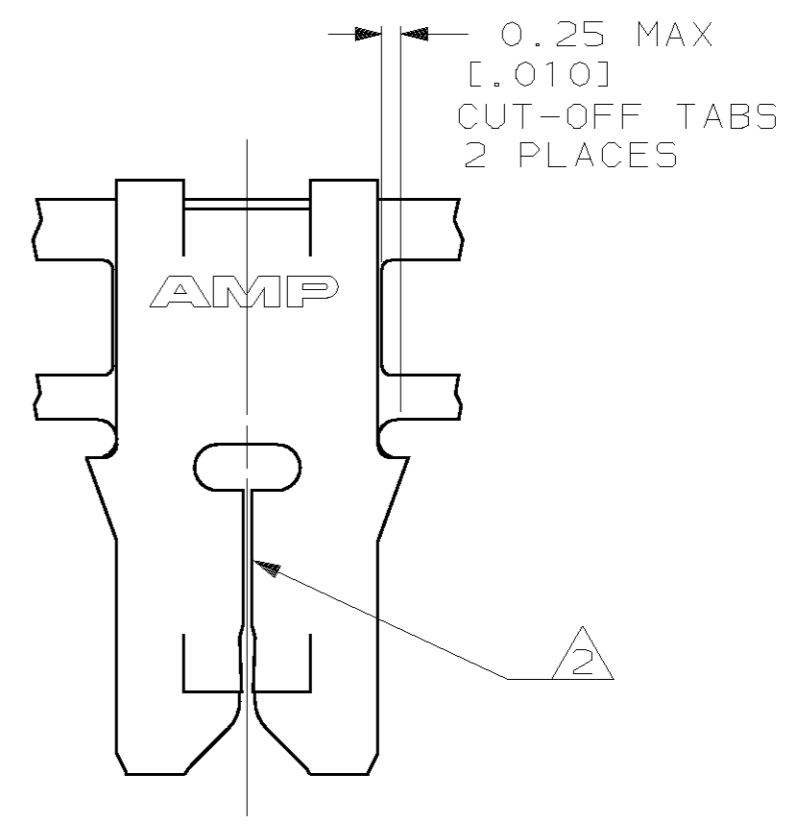
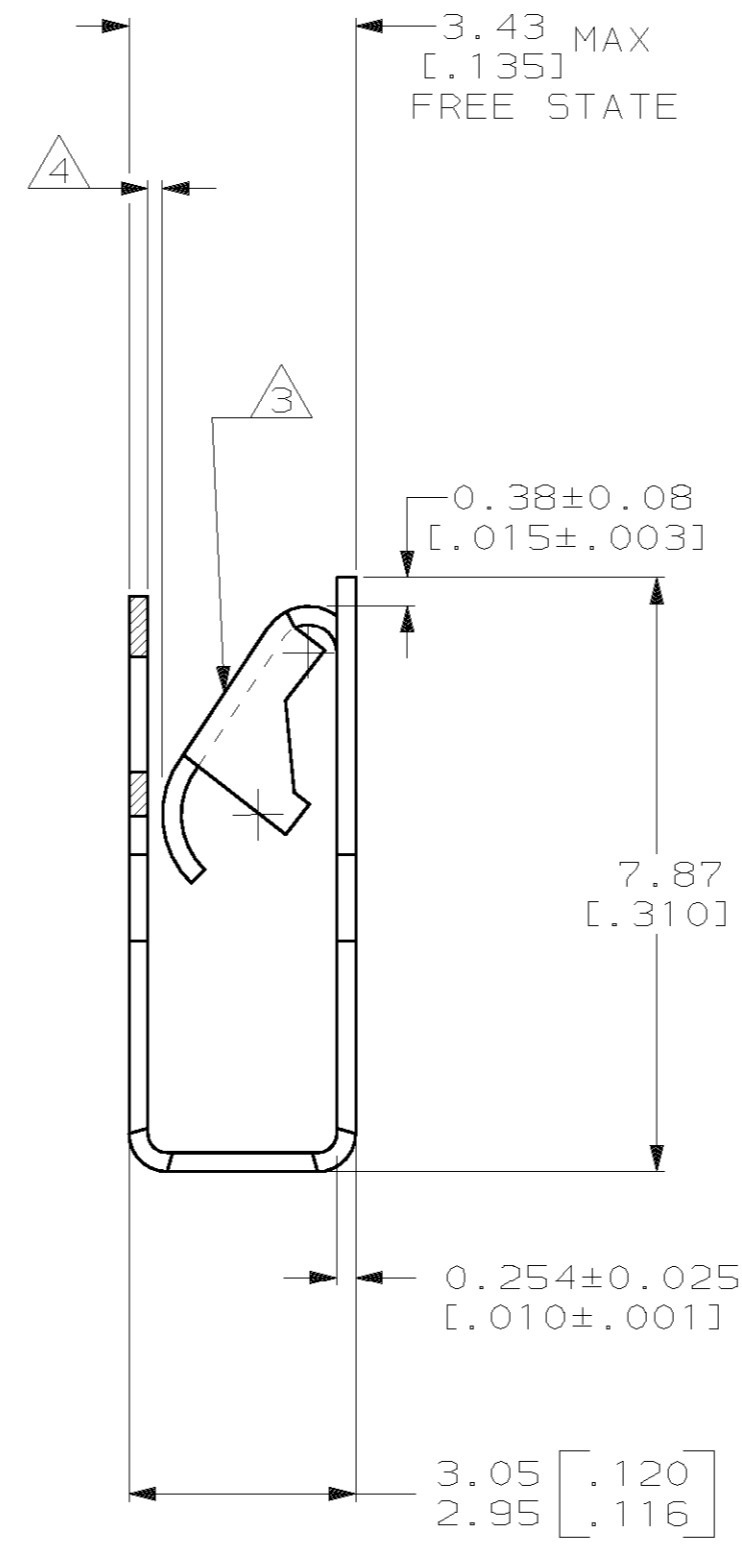
LOC	DIST	REVISIONS			
P	LTR	DESCRIPTION	DATE	DWN	APVD
AF	50	D	REVISED PER 0G3A-0451-00	24JUL00	MF KR



- 1 CONTINUOUS STRIP ON REELS WITH TERMINALS LOCATED ON 5.59±0.08 [.220±.003] CENTERS.
- 2 SLOT TERMINATES EITHER A SINGLE OR DOUBLE MAGNET WIRE OF THE SAME SIZE AND TYPE. COPPER WIRE RANGE: 0.23-0.32mm [#31-28] AWG.
- 3 MATES WITH STANDARD MAG-MATE STYLED POKE-IN TAB TERMINAL.
- 4 WHEN FREE STATE IS COMPRESSED TO 3.23[.127] DIMENSION, GAP BETWEEN SPRING AND CARRIER IS TO 0.30[.012] MAX.



IDENTIFICATION NUMBER 5 FOR MAGNET WIRE RANGE



1217026-1
PART NUMBER

THIS DRAWING IS A CONTROLLED DOCUMENT.		DWN MICHAEL S. FEHER 24OCT97	AMP Incorporated Harrisburg, PA 17105-3608	
DIMENSIONS: mm [INCHES]		CHK JEFF R. RUTH 27OCT97	AMP	
TOLERANCES UNLESS OTHERWISE SPECIFIED: 0 PLC ±- 1 PLC ±- 2 PLC ±0.25[.010] 3 PLC ±- 4 PLC ±- ANGLES ±1*		APVD GARY PORTA 28OCT97	SPECIAL LEAF CONTACT, 300 SERIES MAG-MATE™	
MATERIAL 4M BRASS		FINISH 0.002032[.000080] MIN TIN PLATE	APPLICATION SPEC 108-2012 114-2046	RESTRICTED TO -
		WEIGHT -	SIZE A2	CAGE CODE 00779
		CUSTOMER DRAWING	DRAWING NO C-1217026	SCALE 10:1
			SHEET 1	OF 1
			REV D	

1217026