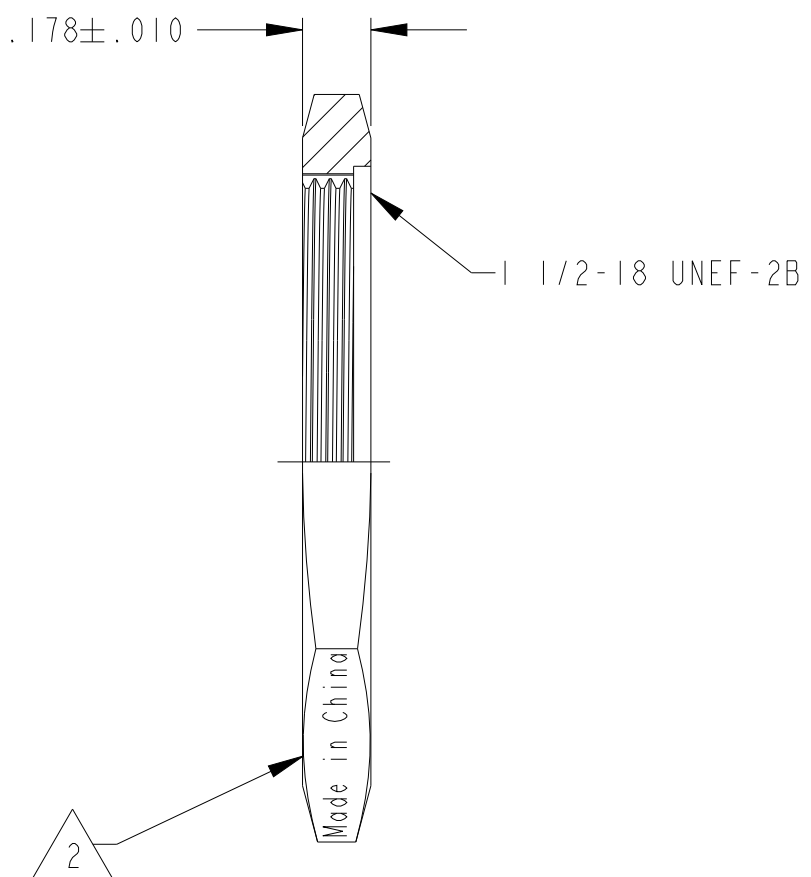
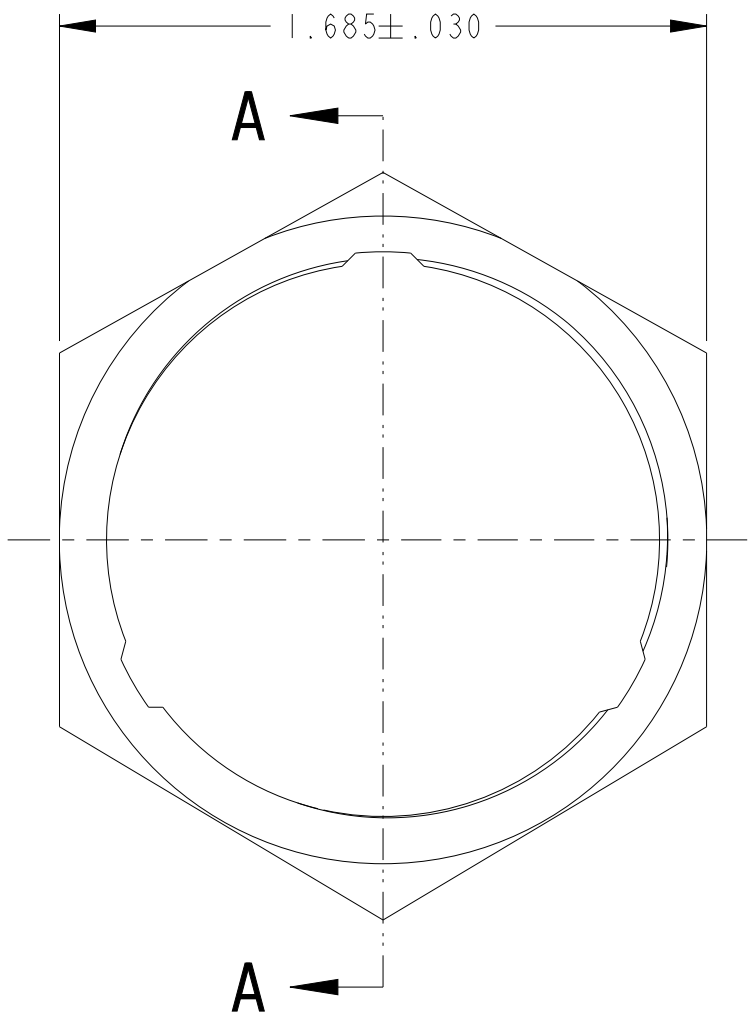


REVISIONS

P	LTR	DESCRIPTION	DATE	DWN	APVD
	A	REVISED PER E.O. 77931	14JAN1975	-	S.B.
	B	REVISED PER E.O. P20482	29APR2010	-	R.D.R
	C	REVISED PER E.O. P20592	24SEP2010	-	R.D.R
	CI	REVISED PER ECR-21-109059	02AUG2021	DRK	IG


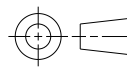


SECTION A-A

2. PERMANENTLY AND LEGIBLY IDENTIFY THE COUNTRY OF ORIGIN LOCATED AS SHOWN. STYLE AND SIZE SHOWN AS REFERENCE. EXAMPLE: Made in China.

1. PLATING: CARNUBA WAX.

NOTES:

THIS DRAWING IS A CONTROLLED DOCUMENT.		DWN I. GRANTCHAROVA 31MAR2010	 TE Connectivity				
DIMENSIONS: INCHES		CHK B. BYFORD 20SEP2010					
		APVD S. BEARD 20SEP2010	NAME NUT, PANEL SINGLE HOLE MOUNTING BAYONET COUPLING SIZE 18 HD SERIES				
TOLERANCES UNLESS OTHERWISE SPECIFIED: 0 PLC ±. 1 PLC ±. 2 PLC ±. 3 PLC ±. 4 PLC ±. ANGLES ±. FINISH -		PRODUCT SPEC -	SIZE A3	CAGE CODE 111139	DRAWING NO G-114020-90	RESTRICTED TO -	
MATERIAL ALUMINIUM		APPLICATION SPEC -	WEIGHT -	SCALE 2:1		SHEET 1 OF 1	REV CI
CUSTOMER DRAWING							