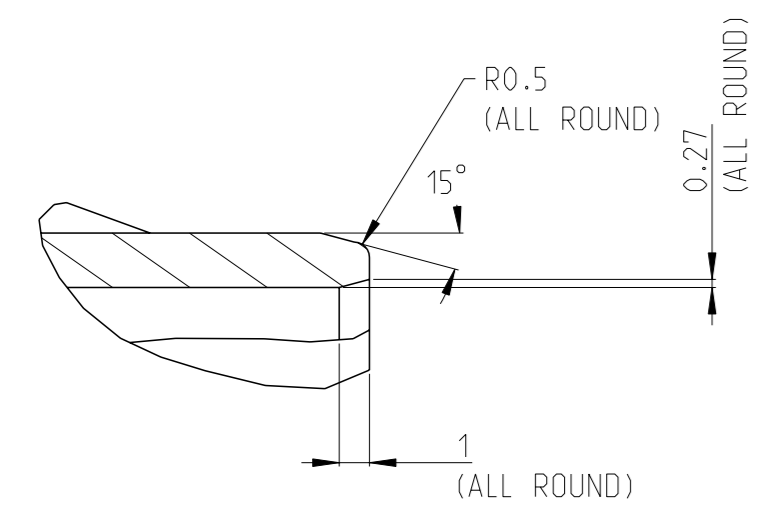
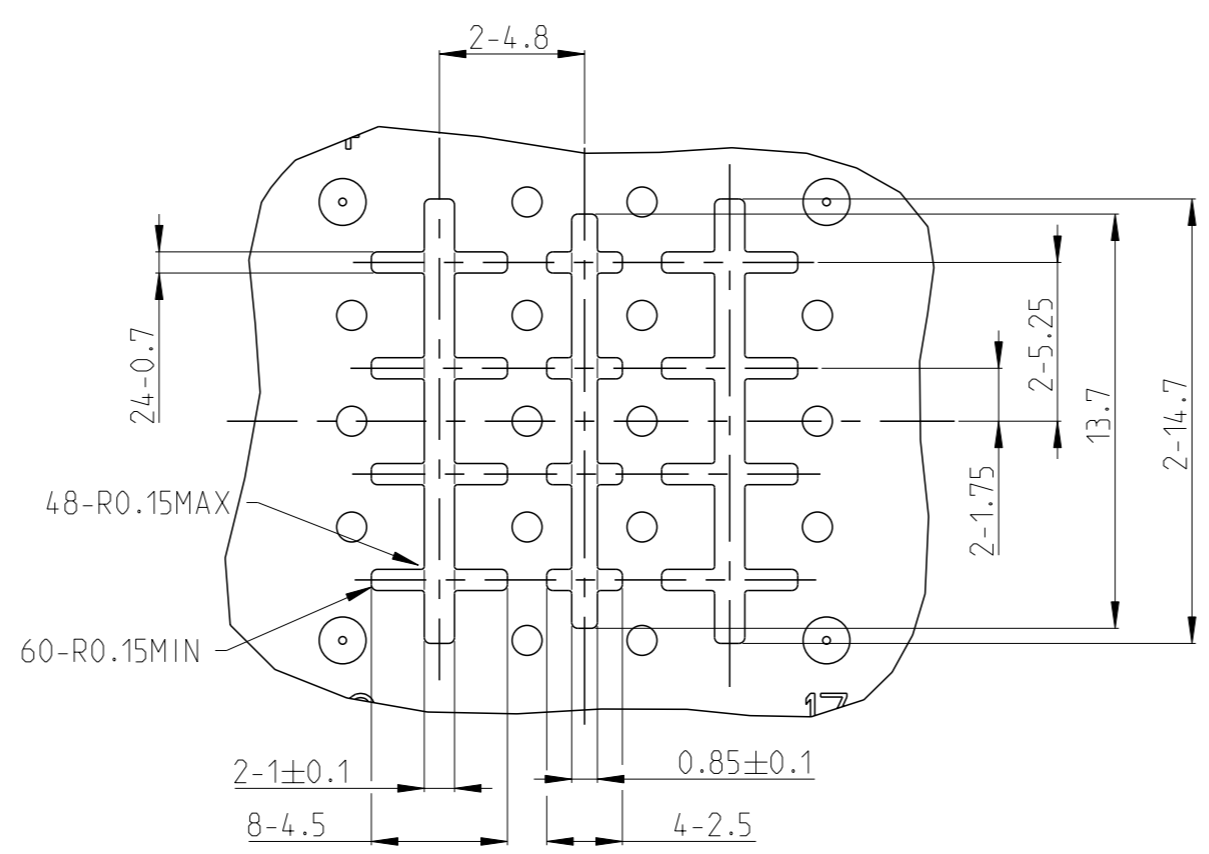
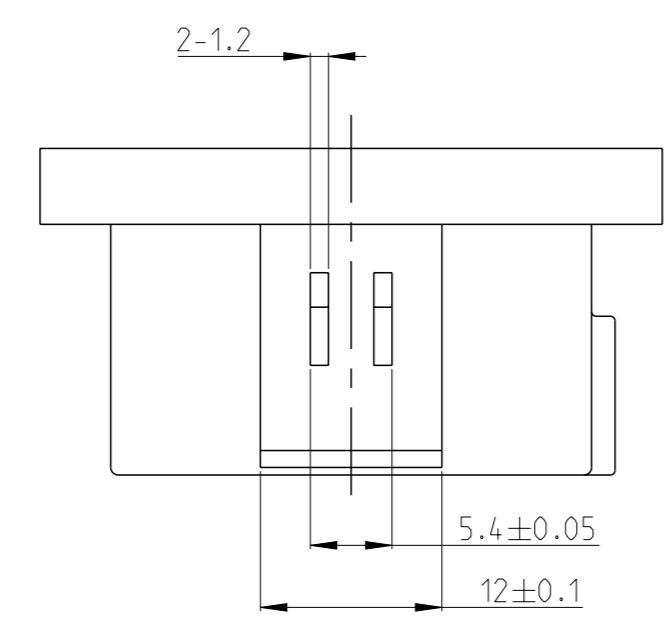


AS SHOWN CODE A
SIZE 20 PIN WITH DIFFERENT HEIGHT VERSION

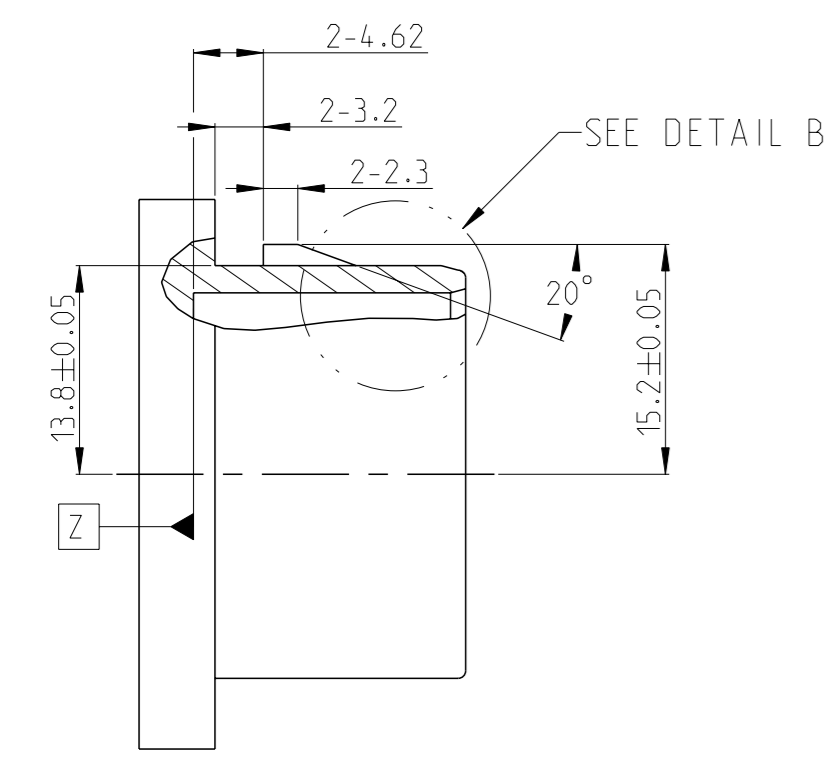
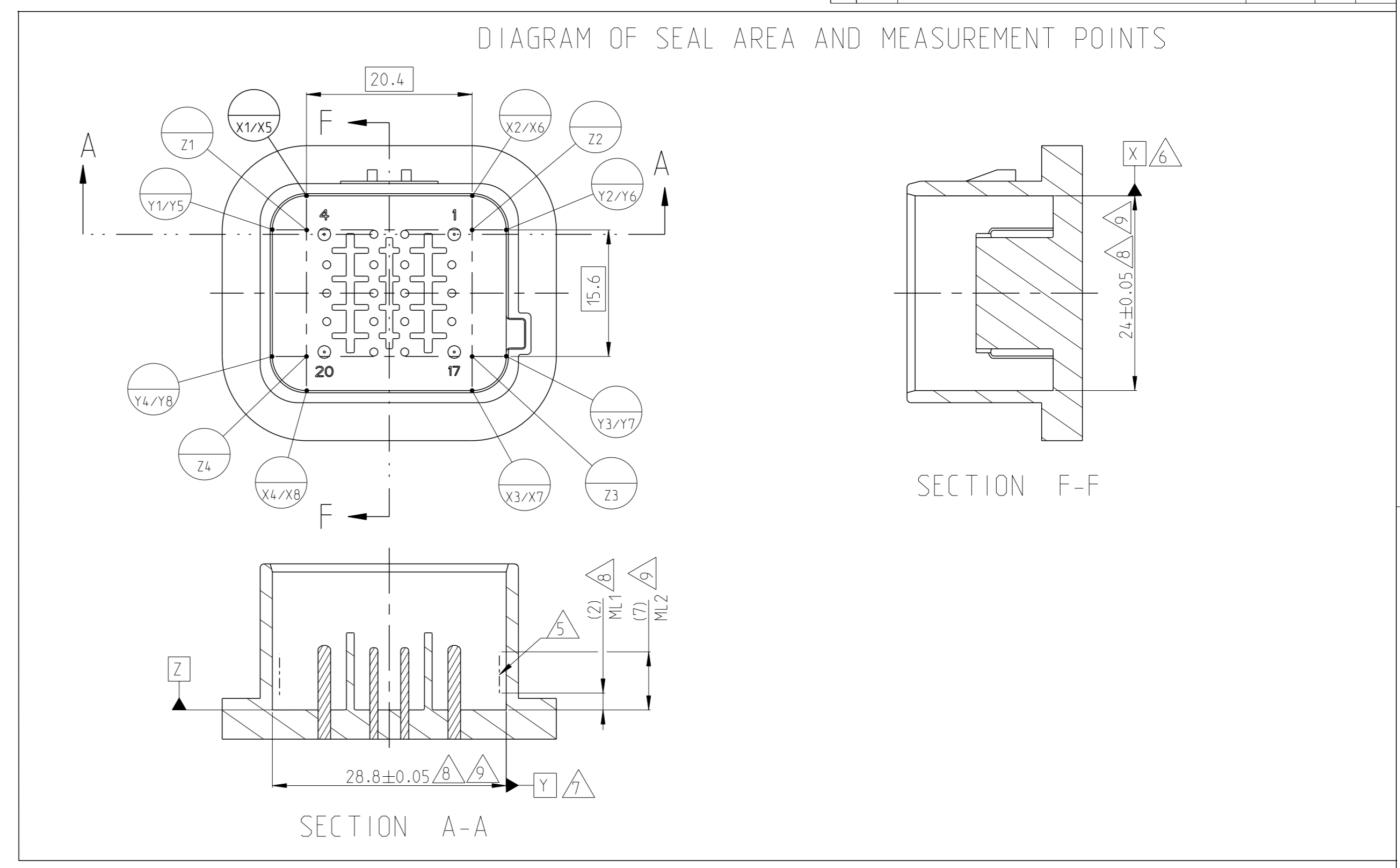
REVISIONS				
P	LY#	DESCRIPTION	DATE	OWN APVD
A1		SEE ECR-21-004150	08APR2021	L.G I.Y



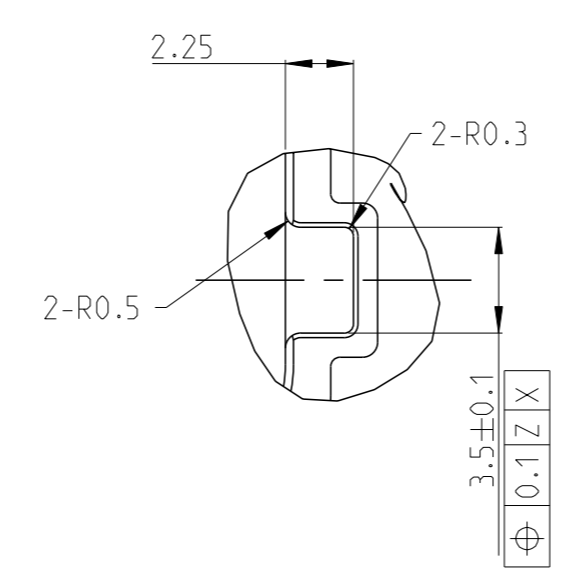
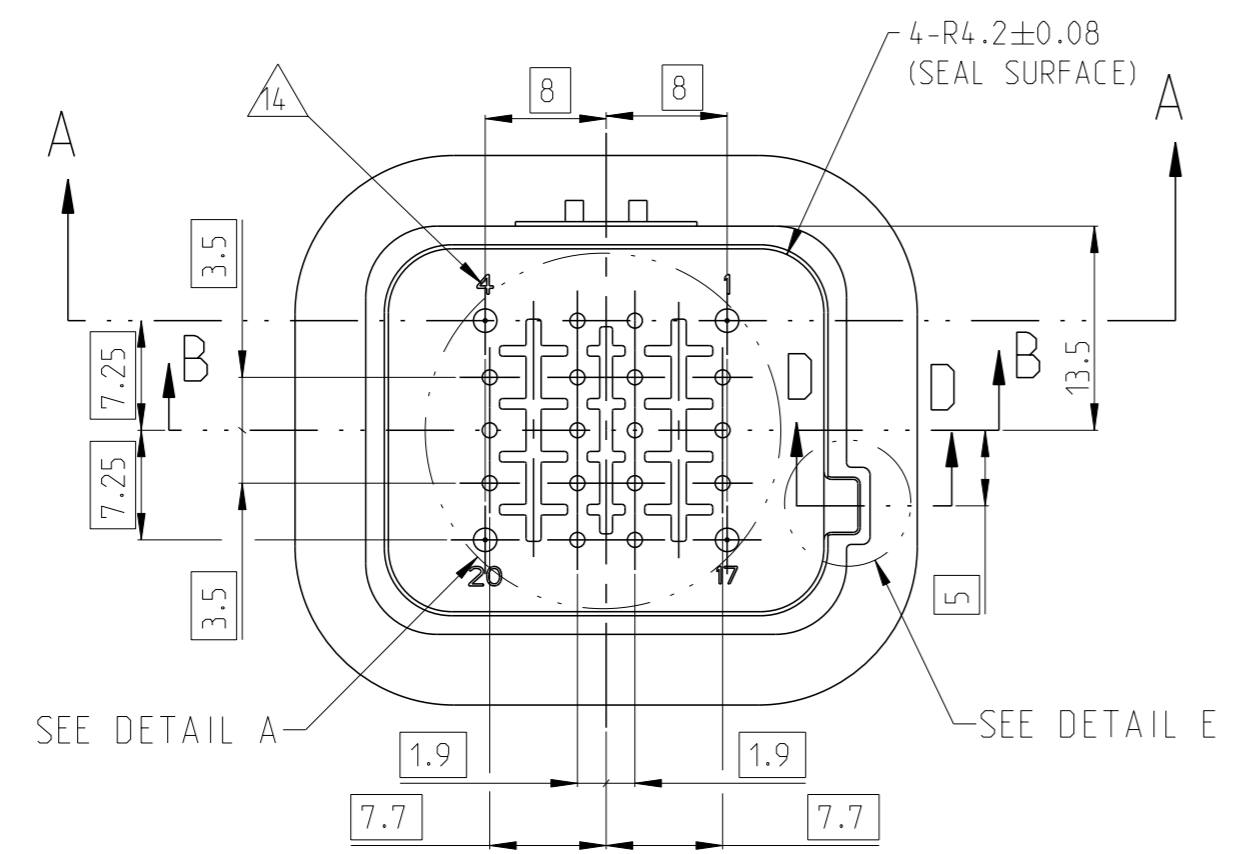
DETAIL B
SCALE 4:1



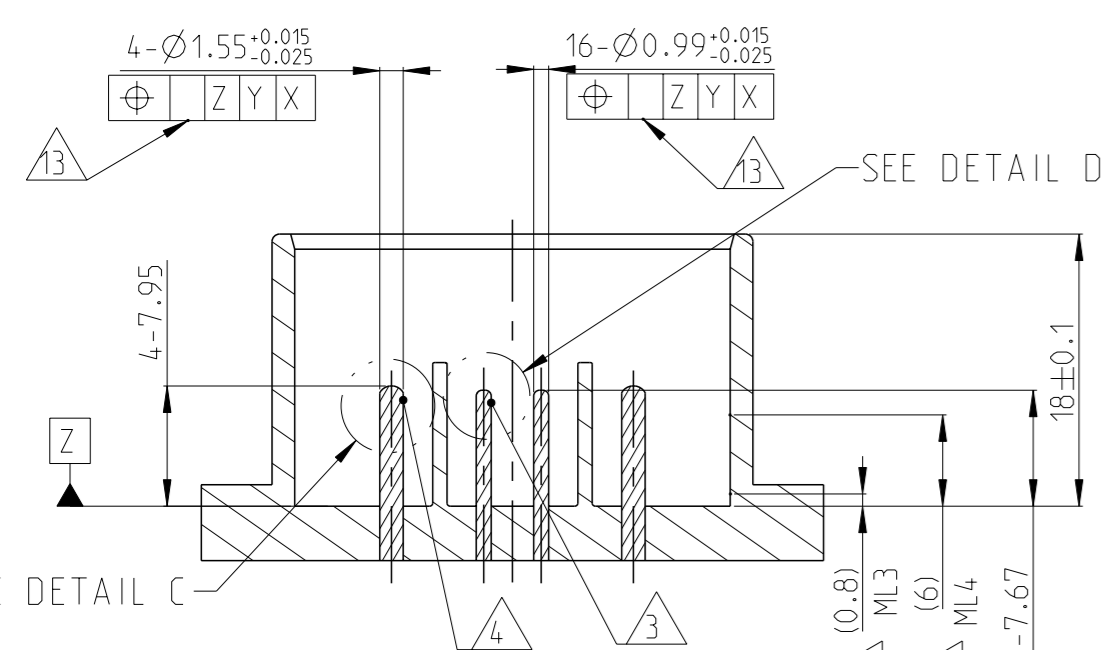
DETAIL A
SCALE 4:1



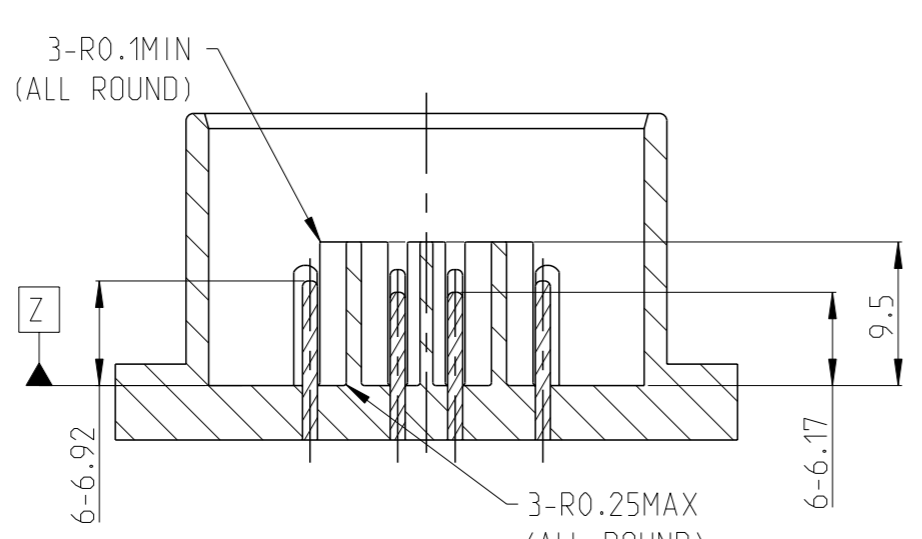
SECTION C-C



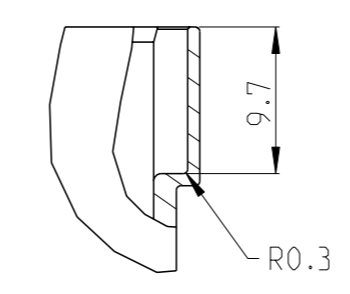
DETAIL E
SCALE 4:1



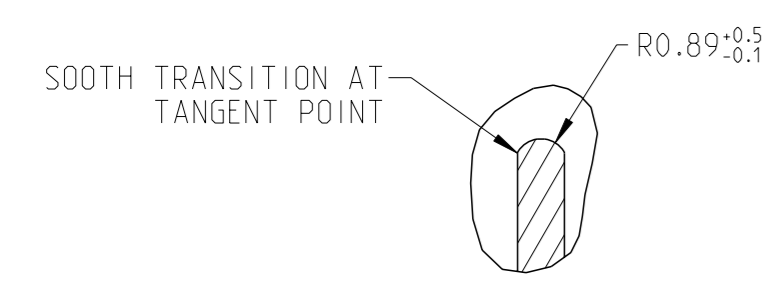
SECTION A-A



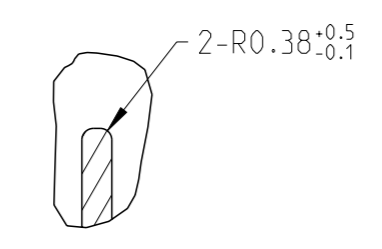
SECTION B-B



SECTION D-D

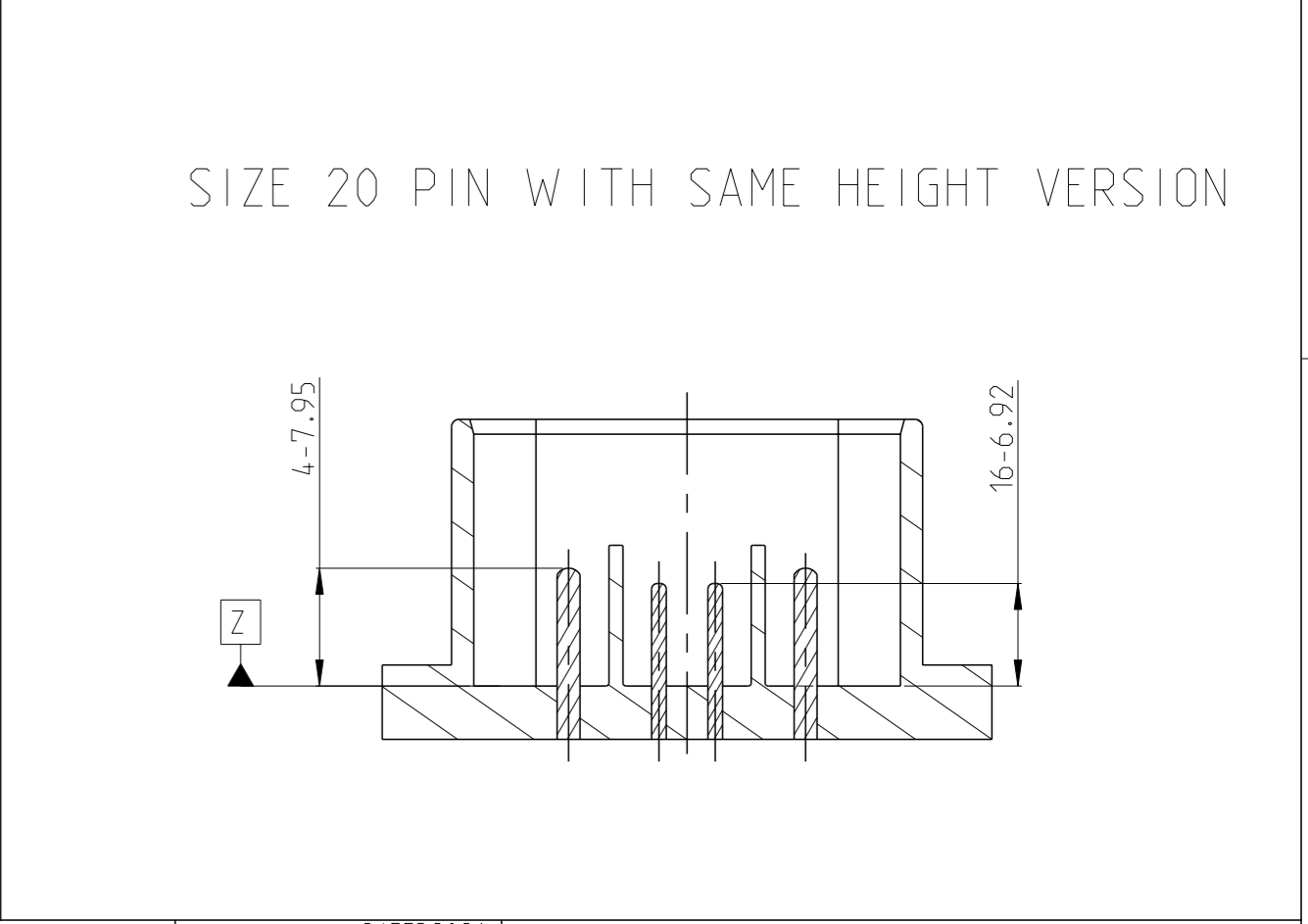
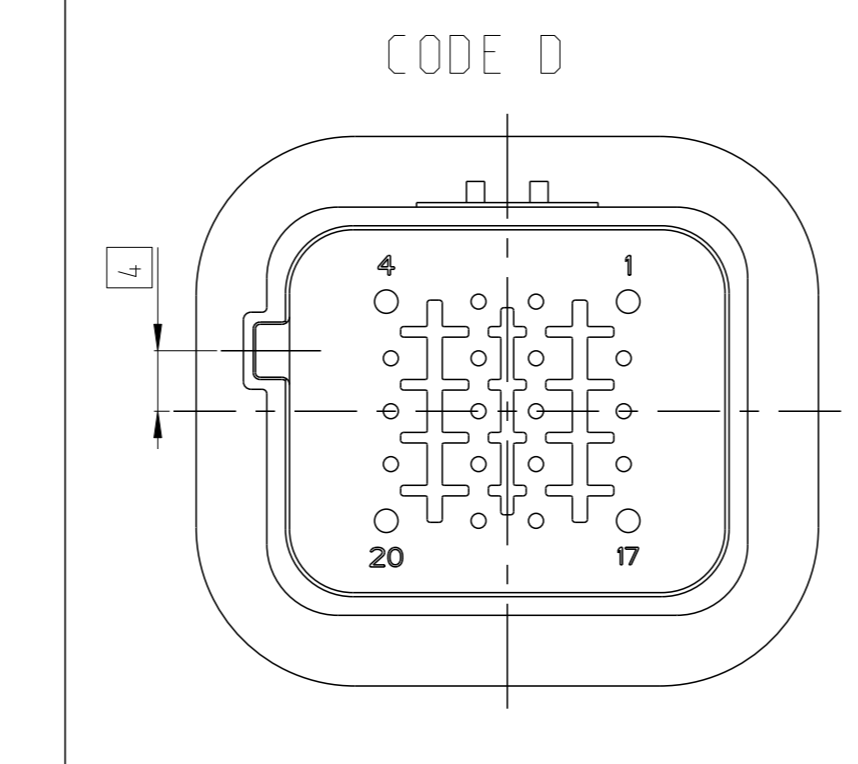
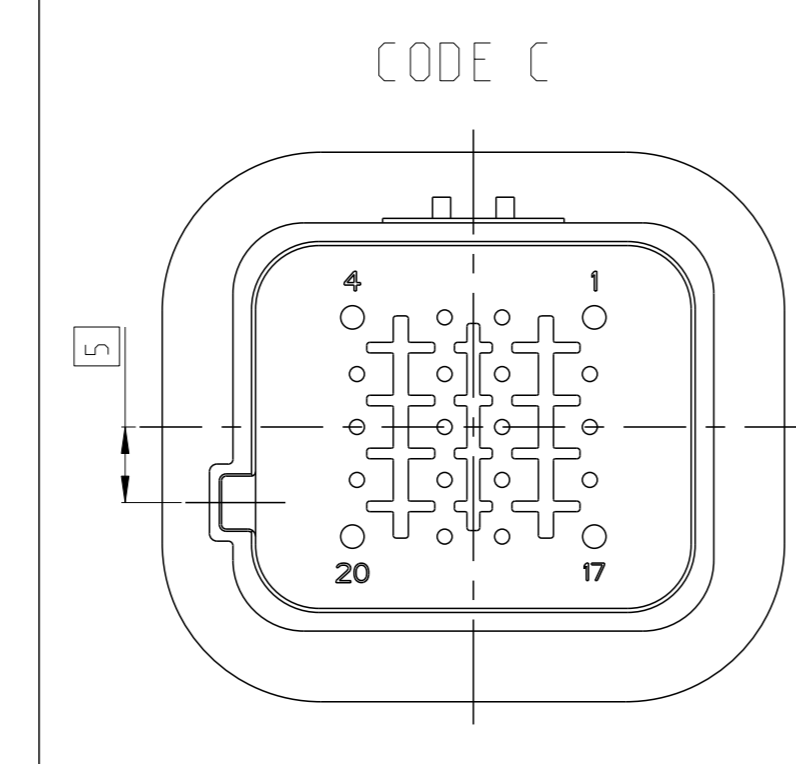
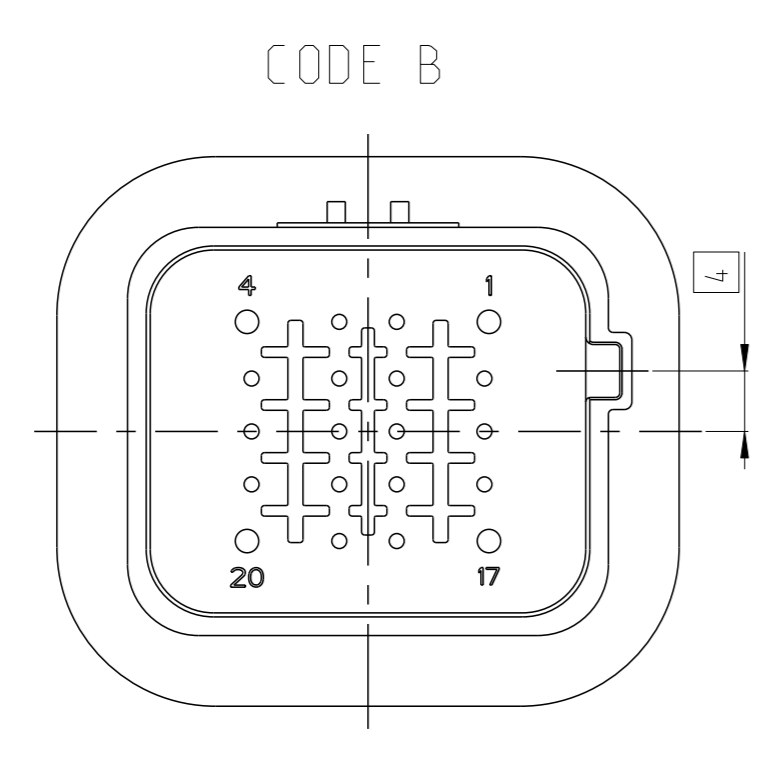
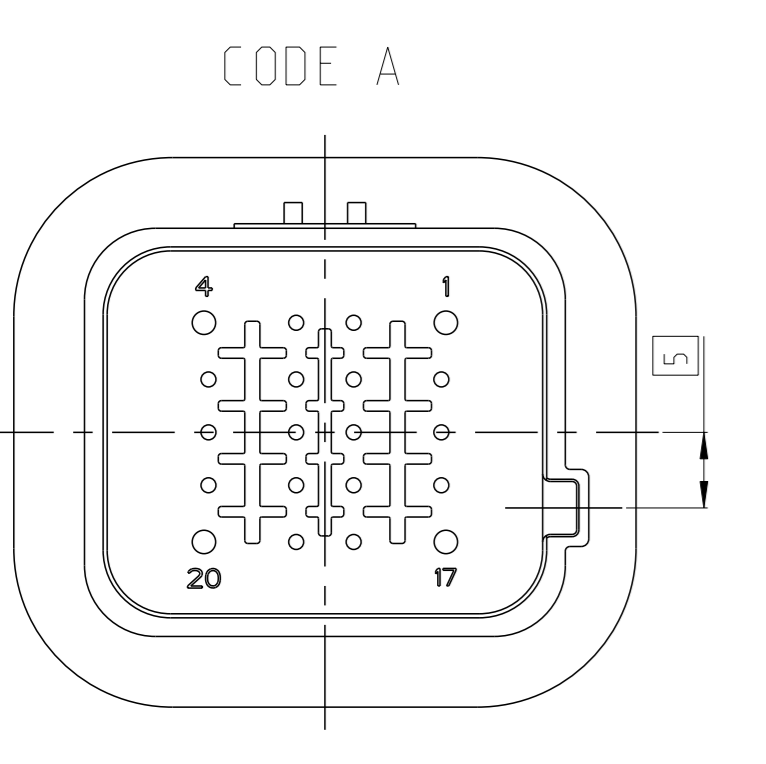


DETAIL C
SCALE 4:1



DETAIL D
SCALE 4:1

- NOTES:
1. THERE ARE TWO VERSIONS OF THE INTERFACE. THE ONLY DIFFERENCE IS ALL THE SIZE 20 PINS WITH SAME HEIGHT IN ONE VERSION AND WITH DIFFERENT HEIGHT IN ANOTHER VERSION.
(1) THE VERSION SIZE 20 PINS WITH DIFFERENT HEIGHT IS SIMILAR WITH THE WAY NTS 20P RECEPTACLE DESIGNED AND THE MATING FORCE FOLLOWS SAE J2030 STANDARD EXCEPT AFFECTION OF HEADER PIN MANUFACTURING TECHNIQUE AND PLATING SPECIFICATION DIFFERENCE;
(2) THE VERSION ALL THE SIZE 20 PINS WITH SAME HEIGHT HAS A BIGGER MATING FORCE AND IT MAYBE ABOVE THE VALUE SPECIFIED IN SAE J2030 STANDARD AT EXTREME CASES.
PLEASE CHOOSE THE VERSION ACCORDING THE APPLICATION.
 2. TOLERANCE SPECIFICATION REFER TO TITLE BLOCK.
 3. SIZE 20 PIN
 4. SIZE 16 PIN
 5. PARTING LINE AND OTHER DEFFECTS ARE NOT PERMITTED IN THE SEAL AREA. TOOLING SHOULD BE POLISHED IN THIS AREA.
 6. DATUM X IS CREATED THROUGH THE MEASURING LEVELS ML1 (X1-X4) AND ML2 (X5-X8).
 7. DATUM Y IS CREATED THROUGH THE MEASURING LEVELS ML1 (Y1-Y4) AND ML2 (Y5-Y8).
 8. MEASURING LEVEL 1 (ML1)
 9. MEASURING LEVEL 2 (ML2)
 10. MEASURING LEVEL 3 (ML3)
 11. MEASURING LEVEL 4 (ML4)
 12. DATUM POINTS ARE MEASURING POINTS.
 13. LINEAR INCREASING FROM ∅0.1MM AT THE LEVEL OF ML3 UP TO ∅0.2MM AT THE LEVEL OF ML4
 14. PIN NUMBERING.



THIS DRAWING IS A CONTROLLED DOCUMENT.		OWN: L.GAQ 26FEB2021	TE Connectivity
DIMENSIONS: mm		CHK: C.WAN 26FEB2021	
TOLERANCES UNLESS OTHERWISE SPECIFIED:		APVD: L.YIN 01MAR2021	NAME: INTERFACE OF NTS 20P HYBRID CONNECTOR
0 PLC ± -		PRODUCT SPEC: 114-32209	SIZE: 114-32209
1 PLC ± 0.1		APPLICATION SPEC: 108-101662	RESTRICTED TO: -
2 PLC ± 0.05		WEIGHT: -	SCALE: 2:1
3 PLC ± -		CUSTOMER DRAWING	SHEET 1 OF 1
4 PLC ± -			REV A1
ANGLES FINISH: -			