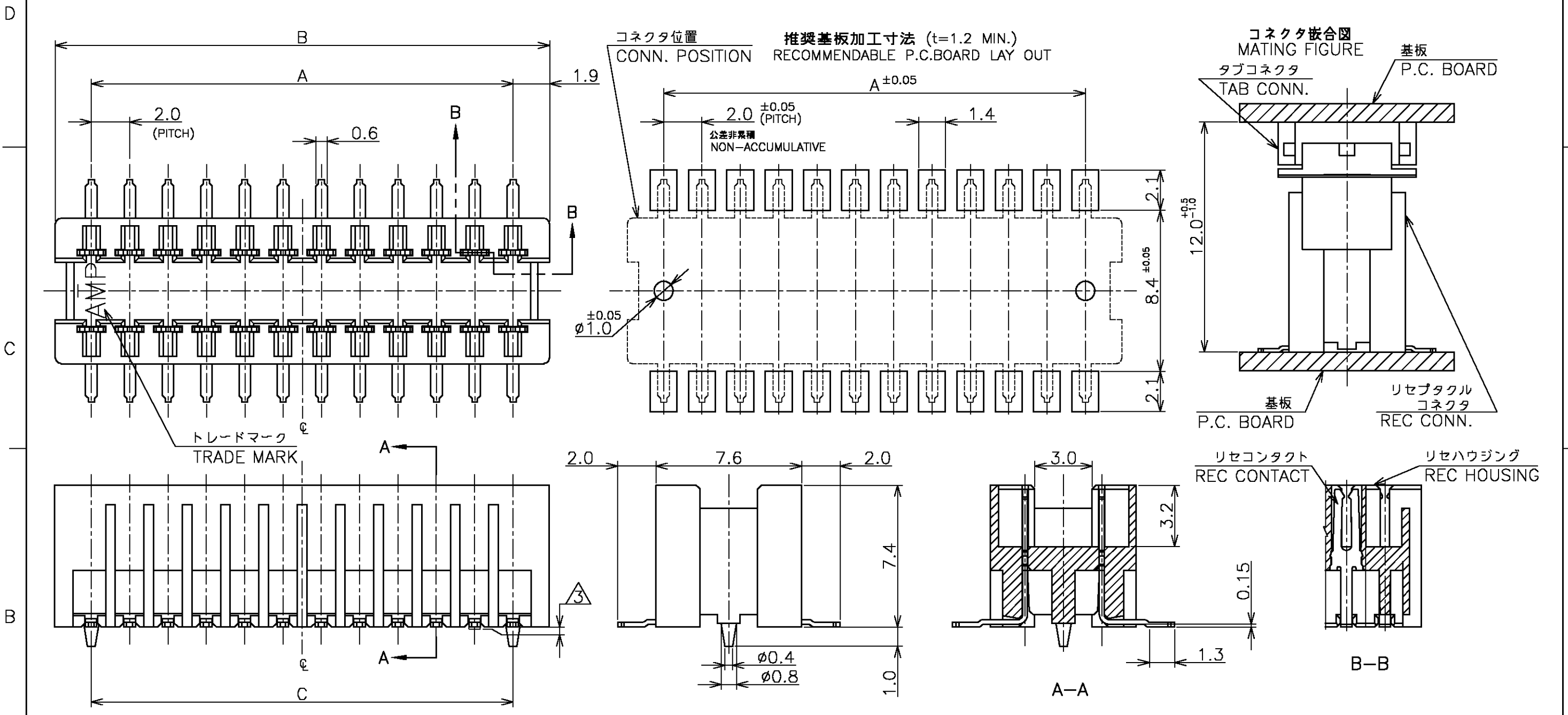


LOC	DIST	REVISIONS					
J		P	LTR	DESCRIPTION	DATE	DWN	APVD
		C		REVISED	FJB0-0346-03	28APR03	T.K Y.Y



- 1 嵌合相手型番: 179867
 2 材料:
 リセハウジング : 6T NYLON,GF30%
 リセコンタクト: 銅合金 (t=0.25mm),ニッケル下地、銅めっき
 ③ 全てのタイン部のバラツキは 0.15mm MAX.
- 1 MATING COUNTER PART NUMBER: 179867
 2 MATERIAL:
 HOUSING : 6T NYLON,GF30%
 REC CONTACT: COPPER-ALLOY (t=0.25mm)
 TIN PLATING, Ni UNDER PL. ALL OVER
 ③ MISALIGNMENT BETWEEN TINES : 0.15mm MAX.

28.0	31.8	28.0	30	3-1123235-0
C	B	A	極数 Pos.	型番 PART NO.

THIS DRAWING IS A CONTROLLED DOCUMENT.

DWN M.IWASAKI 27AUG97	Tyco Electronics AMP K.K. Kawasaki, Japan
CHK S.KAJINUMA 28AUG97	
APVD S.KUBOUCHI 06NOV97	
NAME 名称 PRODUCT SPEC 製品規格 APPLICATION SPEC 取付適用規格 WEIGHT CUSTOMER DRAWING	
SIZE A3 CAGE CODE 00779 DRAWING NO 番号 1123235 RESTRICTED TO —	
SCALE 尺度 NTS SHEET 1 OF 1 REV C	