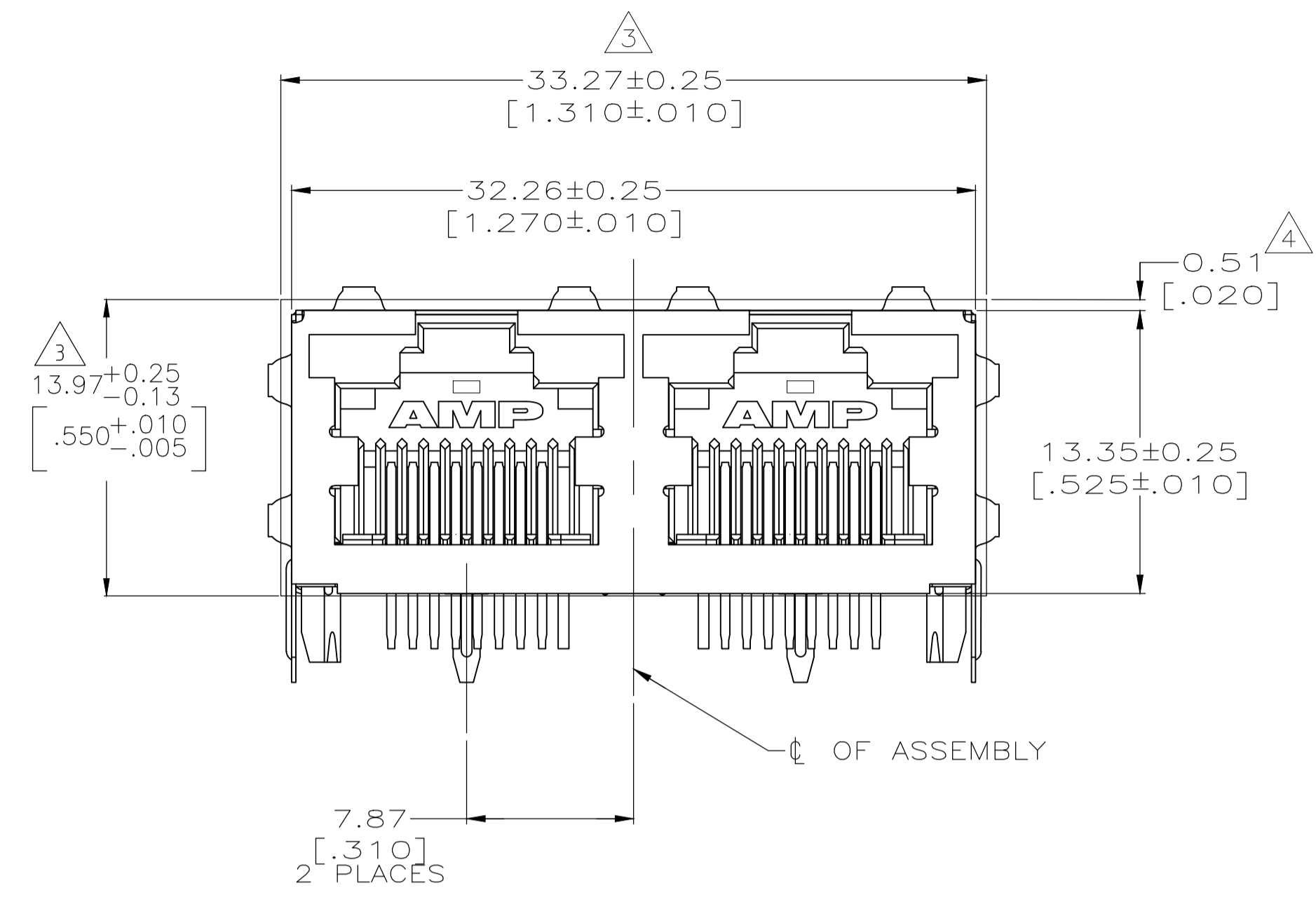
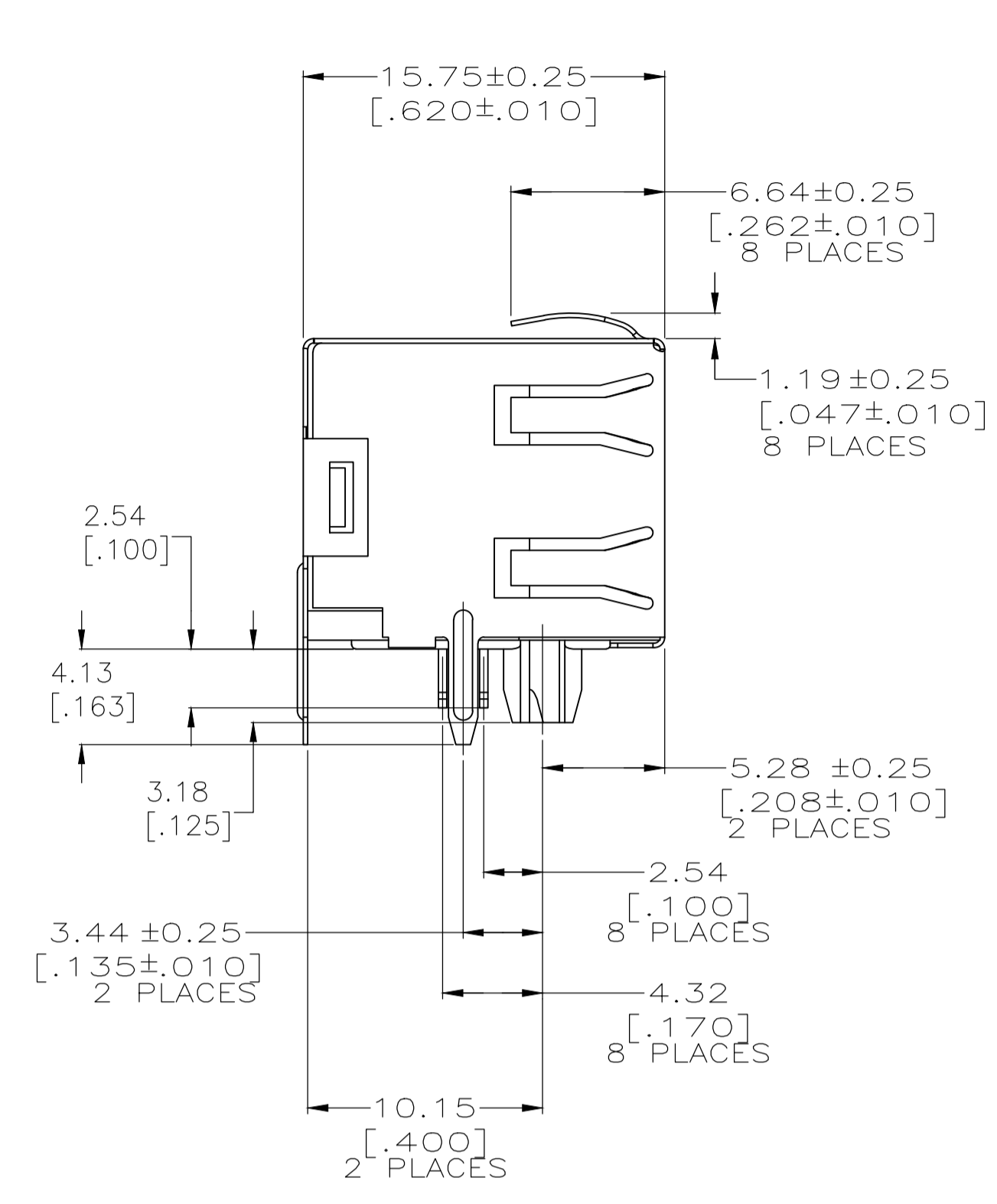
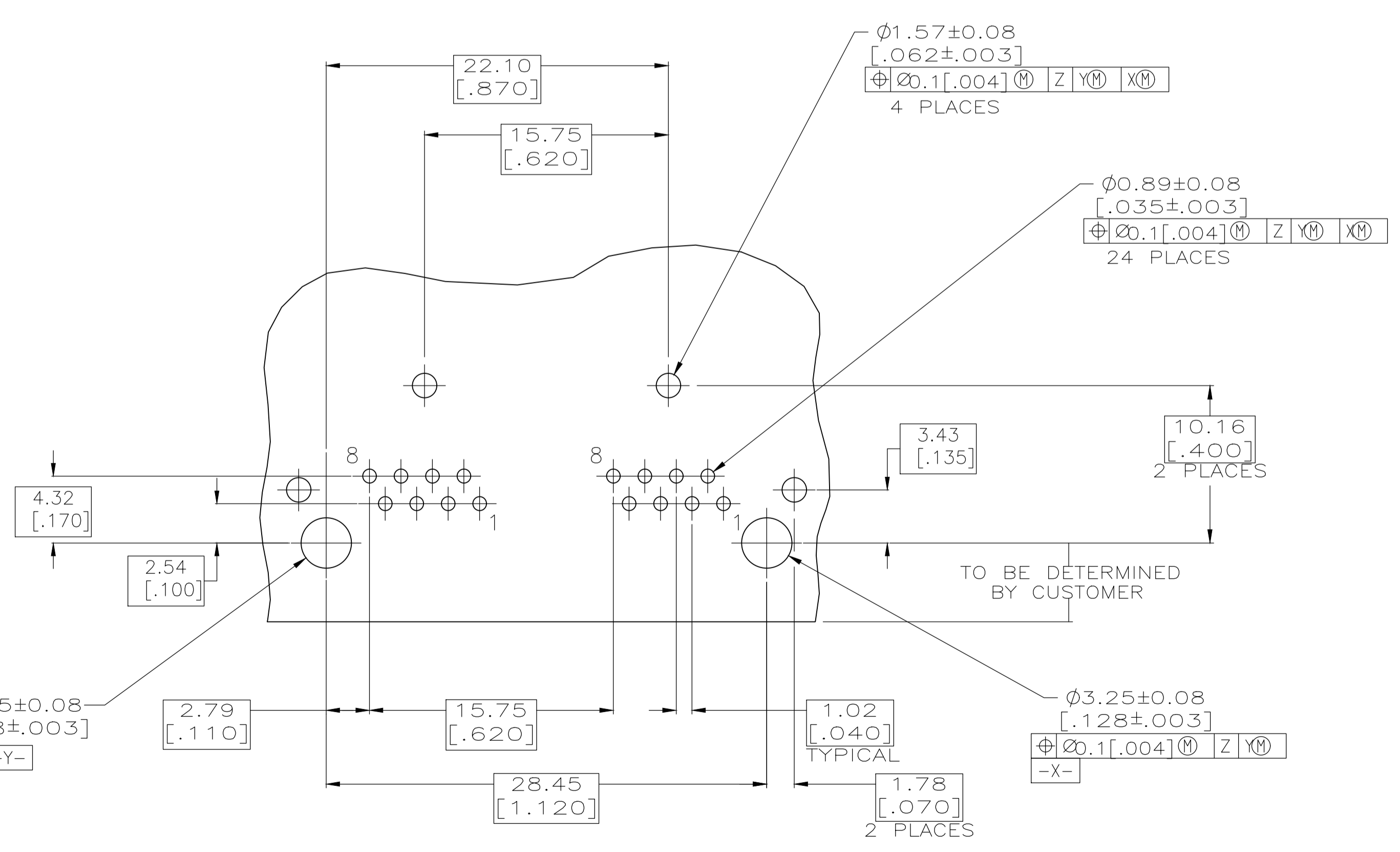


REVISIONS					
P	LTR	DESCRIPTION	DATE	DWN	APVD
C		ECC-18-014918	20AUG2019	RR	SH



- MATERIAL: HOUSING – HIGH TEMPERATURE THERMOPLASTIC, COLOR: BLACK, UL94V-0
 TERMINALS – 0.36[.014] THICK PHOS BRONZE PLATED WITH 3.81 μ m[.000150] MINIMUM THICK BRIGHT TIN LEAD IN SOLDER AREA. 1.27 μ m [.000050] MINIMUM GOLD IN LOCALIZED PLATE AREA. ENTIRE TERMINAL PLATED WITH 1.27 μ m [.000050] MINIMUM THICK NICKEL.
 SHIELD – 0.196[.0077] THICK COPPER ZINC ALLOY PREPLATED WITH 1.27 μ m[.000050] MINIMUM SATIN NICKEL WITH 2.03 μ m[.000080] MINIMUM TIN POST DIPPED ON PCB GROUND TABS.
 - JACK CAVITY CONFORMS TO FCC RULES AND REGULATIONS PART 68, SUBPART F.
- \triangle SUGGESTED PANEL OPENING DIMENSIONS.
 \triangle SUGGESTED CLEARANCE BETWEEN TOP OF CONNECTOR AND TOP PANEL OPENING.



SUGGESTED PRINTED CIRCUIT BOARD LAYOUT
(COMPONENT SIDE)

THIS DRAWING IS A CONTROLLED DOCUMENT.		DIN DL DRUMMOND 02-FEB-99	OBSOLETE		1116522-1
		DL DRUMMOND 04-FEB-99			PART NUMBER
DIMENSIONS: mm [INCHES]		APVD EC LAURER 05-FEB-99	NAME		INVERTED MODULAR JACK ASSEMBLY, 1X2, SHIELDED, PANEL GROUND
TOLERANCES UNLESS OTHERWISE SPECIFIED:		PRODUCT SPEC	SIZE		RESTRICTED TO
0 PLC ± -		108-1163-4	CAGE CODE		DRAWING NO
1 PLC ± -		APPLICATION SPEC	DRAWING NO		1116522
2 PLC ± 0.25[.01]		114-2154	SCALE		4:1
3 PLC ± 0.13[.005]		WEIGHT	SHEET		1 OF 1
4 PLC ± -		0.000000	REV		C
ANGLES ± -		CUSTOMER DRAWING			
MATERIAL SEE NOTE 1		FINISH SEE NOTE 1			