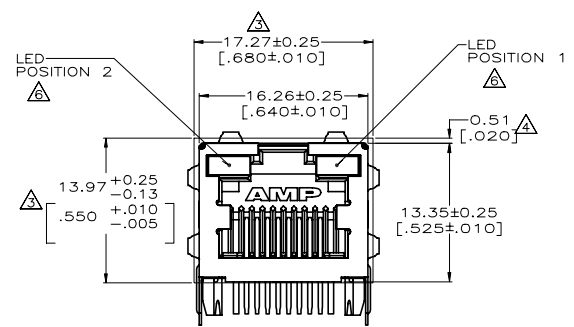
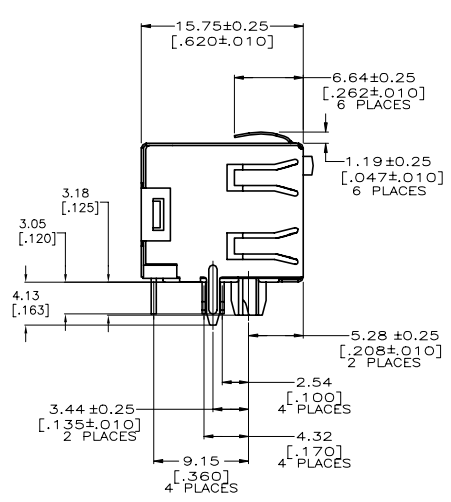
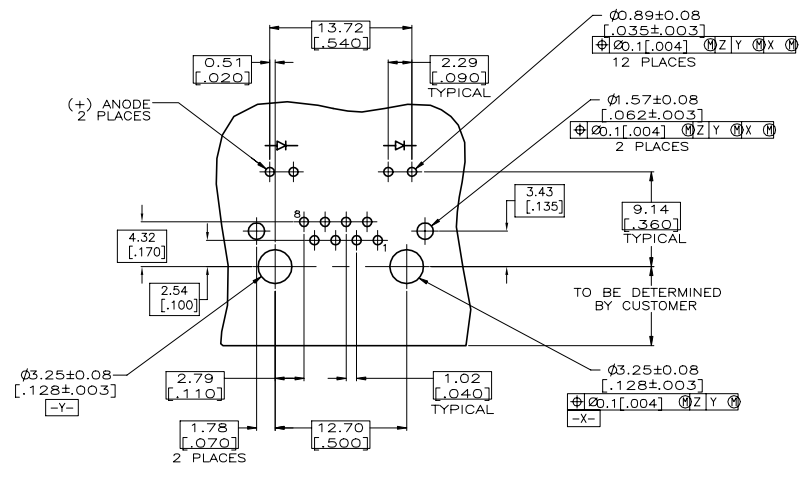
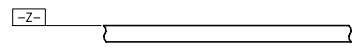


REVISIONS				
REV	DATE	DESCRIPTION	BY	APP'D
E1	29AUG2020	ECO-18-014918	RR	SH



- MATERIAL:
HOUSING - HIGH TEMPERATURE THERMOPLASTIC, BLACK, UL94V-0.
TERMINALS - 0.36[.014] THICK PHOS BRONZE PLATED WITH 3.81µm[.000150] MINIMUM THICK BRIGHT TIN LEAD IN SOLDER AREA. 1.27µm [0.00050] MINIMUM GOLD IN LOCALIZED PLATE AREA. ENTIRE TERMINAL PLATED WITH 1.27µm [0.00050] MINIMUM THICK NICKEL.
SHIELD - 0.196[.0077] THICK COPPER ZINC ALLOY PREPLATED WITH 1.27µm[0.00050] MINIMUM SATIN NICKEL WITH 2.03µm[0.00080] MINIMUM TIN POST DIPPED ON PCB GROUND TABS.
LIGHT EMITTING DIODE (LED) - DIFFUSED EPOXY LENS, 0.51 x 0.51[.020 x .020] CARBON STEEL (WIREFRAME LEADS) PREPLATED WITH 8.89µm[0.000350] THICK TIN/COPPER OVER 2.03µm[0.00080] THICK SILVER OVER 1.02µm[0.00040] THICK COPPER OVER 3.56µm[0.000140] THICK NICKEL OVER 1.02µm [0.00040] THICK COPPER UNDERPLATE
- JACK CAVITY CONFORMS TO FCC RULES AND REGULATIONS PART 68, SUBPART F.
- SUGGESTED PANEL OPENING DIMENSIONS.
- SUGGESTED CLEARANCE BETWEEN TOP OF CONNECTOR AND TOP PANEL OPENING.
- 0.051[.002] WHITE POLYESTER INSULATOR APPLIED TO BACK OF HOUSING.
- SEE TABLE FOR COLOR OF LEDS AND NUMBER REQUIRED.
- THIS MODULAR JACK WITH INTEGRATED LED IS NOT IR REFLOW SOLDERING PROCESS COMPATIBLE.



SUGGESTED PRINTED CIRCUIT BOARD LAYOUT
(COMPONENT SIDE)

OBSELETE	INDICATOR COLOR	PART NUMBER
GREEN	GREEN	1116173-5
GREEN	YELLOW	1116173-4
YELLOW	GREEN	1116173-1
POSITION 2	POSITION 1	

THIS DRAWING IS A CONTROLLED DOCUMENT.		DATE: 29AUG2020	REV: 1	TE Connectivity
DRAWN BY: STRAUSSER		DATE: 27MAR18	REV: 1	TE Connectivity
CHECKED BY: LAUBER		DATE: 27MAR18	REV: 1	TE Connectivity
APPROVED BY: LAUBER		DATE: 27MAR18	REV: 1	TE Connectivity
PRODUCT SPEC: 108-1163-4		INVERTED MODULAR JACK ASSEMBLY, 1X1, SHIELDED, PANEL GROUND, LED, INSULATOR		
APPLICATION SPEC: 114-2154		SIZE: A1	DATE CODE: 00779	DRAWING NO: 1116173
MATERIAL: SEE NOTE 1		WEIGHT: 0.000000	SCALE: 4:1	SHEET: 1 OF 1
FINISH: SEE NOTE 1		CUSTOMER DRAWING	RESTRICTED TO: -	REV: E1