

THIS DRAWING IS UNPUBLISHED  
VERTRAULICHE UNVERÖFFENTLICHE ZEICHNUNG

RELEASE FOR PUBLIKATION  
FREI FUER VERÖFFENTLICHUNG

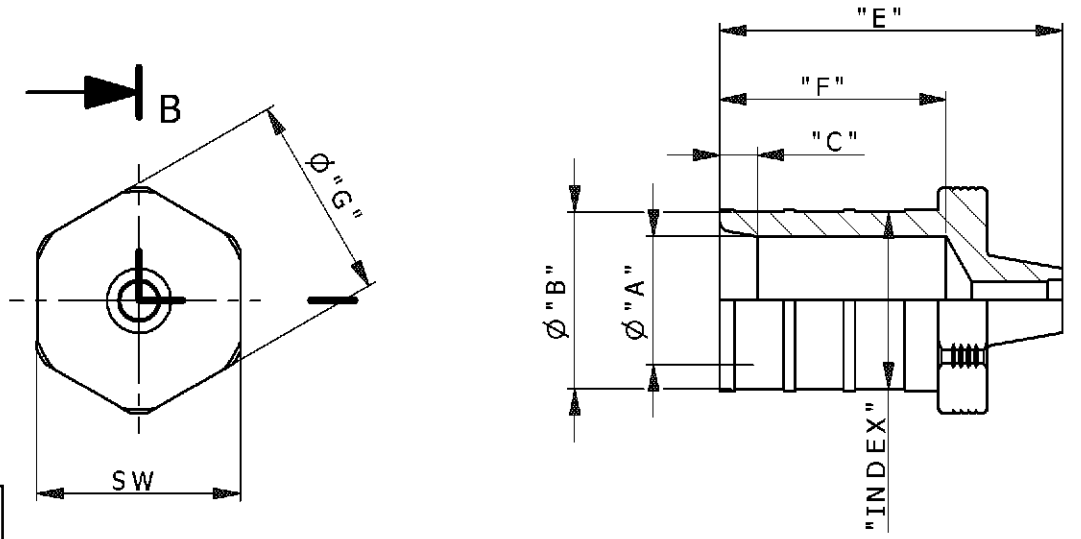
MATED WITH:  
PASSEND ZU:

LOC AI  
DIST -

REVISIONS  
ÄNDERUNGEN

ALL RIGHTS RESERVED  
ALLE RECHTE VORBEHALTEN

P	LTR	DESCRIPTION BESCHREIBUNG	DATE	DWN	APVD
A10		ECR-12-003639	10APR12	RK	MKO
A11		ECR-21-123594	03FEB2022	RK	JB



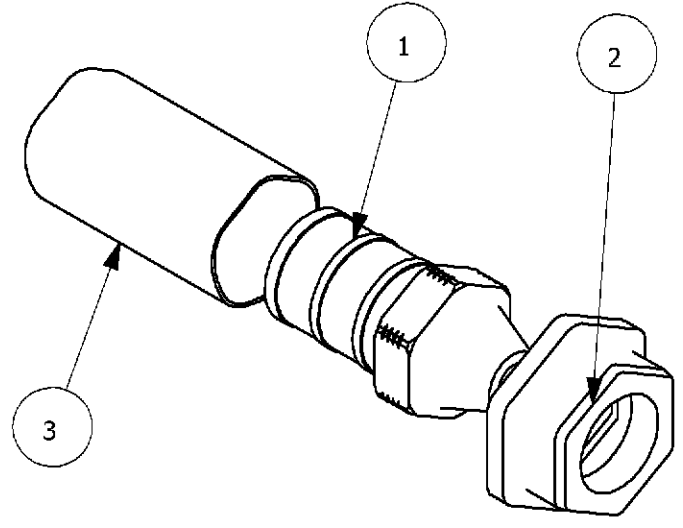
**NOTES**

- SUITABLE CONTACTS: SERIES HF06  
CUSTOMER DRAWING: 11100948, 1110949
- SUITABLE CONTACTS: SERIES HF08  
CUSTOMER DRAWING: 1103037, 1103038
- SUITABLE CRIMPING TOOL: HYDR. TOOL 30kN  
CUSTOMER DRAWING: 1105653
- SUITABLE CRIMPING TOOL: HYDR. TOOLS 60kN  
CUSTOMER DRAWING: 1110956
- DIE SIZE "INDEX" ACC. TO DIN 48083, SEE  
CUSTOMER DRAWINGS OF CRIMPING TOOLS
- SHRINK TUBE ACC. TO MIL I-23053 B/5, RATE 3:1
- STANDARDS:  
DIN EN 61984; DIN EN 60664-1
- PACKAGING:  
10 SETS IN A CARTON

OBSOLETE  
OBSOLETE



PART NO. / QUANTITY											ACC.	A	B	C	E	F	G	SW	MATERIAL	SURFACE	WEIGHT (Kg)	NOTES	ITEM					
-	-	-	-	-	-	-	-	1	1	1	1	1	1	1	ADAPTOR					PA	BLACK	0,002		3				
1	1	1	1	1	1	1	1	-	-	-	-	-	-	-	SHRINK. TUBE	-	-	-	-	PO	BLACK	0,003		2				
-	-	-	-	-	-	-	-	1	1	1	1	1	1	1	SHRINK. TUBE	-	-	-	-	PO	BLACK	0,001		2				
-	1	-	-	-	-	-	-	-	-	-	-	-	-	-	CRIMP BARREL	-	18,5	25,5	5,0	45,5	30,0	30,0	27	COPPER	SILVER PLATED	0,009	WIRE SIZE 185 MM <sup>2</sup>	1
-	-	1	-	-	-	-	-	-	-	-	-	-	-	-	CRIMP BARREL	14	17,0	23,5	5,0	45,5	30,0	30,0	27	COPPER	SILVER PLATED	0,093	WIRE SIZE 150 MM <sup>2</sup>	1
-	-	-	1	-	-	-	-	-	-	-	-	-	-	-	CRIMP BARREL	16	16,6	23,5	5,0	45,5	30,0	30,0	27	COPPER	SILVER PLATED	0,079	WIRE SIZE 140 MM <sup>2</sup>	1
-	-	-	-	1	-	-	-	-	-	-	-	-	-	-	CRIMP BARREL	14	15,5	21,0	5,0	45,5	30,0	30,0	27	COPPER	SILVER PLATED	0,072	WIRE SIZE 120 MM <sup>2</sup>	1
-	-	-	-	-	1	-	-	-	-	-	-	-	-	-	CRIMP BARREL	14	14,0	19,0	5,0	45,5	30,0	30,0	27	COPPER	SILVER PLATED	0,075	WIRE SIZE 105 MM <sup>2</sup>	1
-	-	-	-	-	-	1	-	-	-	-	-	-	-	-	CRIMP BARREL	12	13,5	19,0	5,0	45,5	30,0	30,0	27	COPPER	SILVER PLATED	0,075	WIRE SIZE 95 MM <sup>2</sup>	1
-	-	-	-	-	-	-	1	-	-	-	-	-	-	-	CRIMP BARREL	12	11,8	16,5	3,0	37,0	21,5	21,5	19	COPPER	SILVER PLATED	0,044	WIRE SIZE 70 MM <sup>2</sup>	1
1	-	-	-	-	-	-	-	-	1	-	-	-	-	-	CRIMP BARREL	10	10,0	14,5	3,0	37,0	21,5	21,5	19	COPPER	SILVER PLATED	0,041	WIRE SIZE 50 MM <sup>2</sup>	1
-	-	-	-	-	-	-	-	-	-	1	-	-	-	-	CRIMP BARREL	8	9,8	14,5	3,0	37,0	21,5	21,5	19	COPPER	SILVER PLATED	0,041	WIRE SIZE 48 MM <sup>2</sup>	1
-	-	-	-	-	-	-	-	-	-	-	1	-	-	-	CRIMP BARREL	8	8,2	12,5	3,0	37,0	21,5	21,5	19	COPPER	SILVER PLATED	0,038	WIRE SIZE 35 MM <sup>2</sup>	1
-	-	-	-	-	-	-	-	-	-	-	-	1	-	-	CRIMP BARREL	6	8,5	12,5	3,0	37,0	21,5	21,5	19	COPPER	SILVER PLATED	0,036	WIRE SIZE 30 MM <sup>2</sup>	1
-	-	-	-	-	-	-	-	-	-	-	-	-	1	-	CRIMP BARREL	5	7,0	10,0	3,0	37,0	21,5	21,5	19	COPPER	SILVER PLATED	0,034	WIRE SIZE 25 MM <sup>2</sup>	1



THIS DRAWING IS A CONTROLLED DOCUMENT.

DWN SCHNEIDER 02.01.2006  
CHK BRAUN 02.01.2006  
APVD SCHNURPFEIL 02.01.2006

TE Connectivity

NAME: CRIMP BARREL ASSY HF13, HF16

PRODUCT SPEC. / PRODUKTSPEZ.: 108-74024  
APPLICATION SPEC. / VERARBEITUNGSSPEZ.: 114-74024

SIZE: A3  
CAGE CODE: 00779  
DRAWING NO. / ZEICHNUNGS-NR.: 1110953

RESTRICTED TO NUR FUER

WEIGHT / GEWICHT: 0,001 KG

CUSTOMER DRAWING / KUNDENZEICHNUNG

SCALE / MASSSTAB: 1:1  
SHEET / BLATT: 1 OF / VON 1  
REV. A11

DIMENSIONS: DIMENSIONEN: m m	TOLERANCES UNLESS OTHERWISE SPECIFIED: ALLGEMEINTOLERANZEN
	n. ISO 8013 - n. ISO 2768 - mH-E n. DIN 16901- 140
	0 PLC # 1 PLC # 2 PLC # 3 PLC # ANGLES / WINKEL #
MATERIAL	FINISH / OBERFLAECHE / FARBE