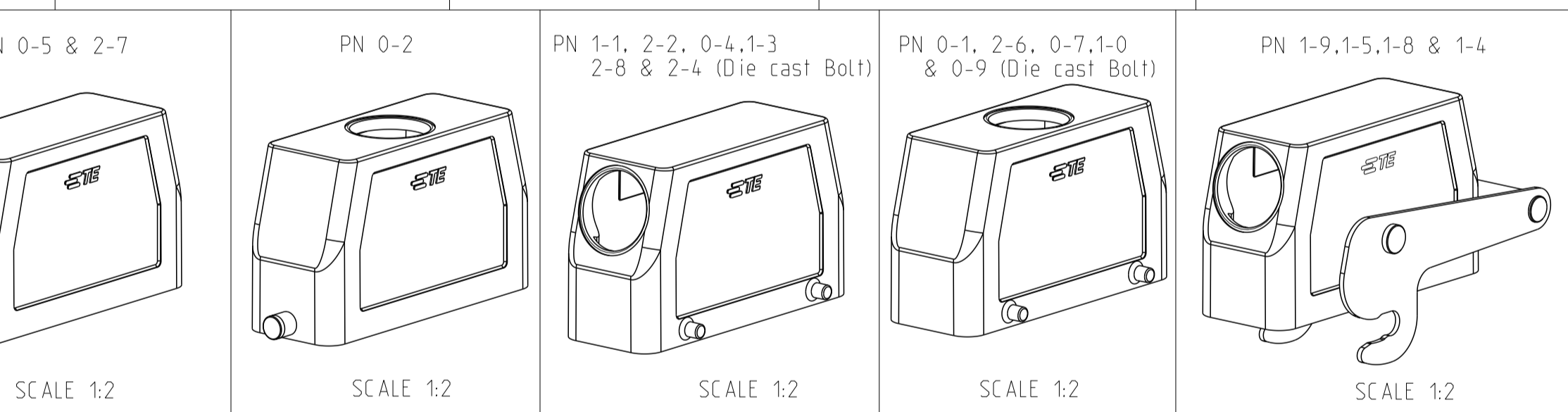
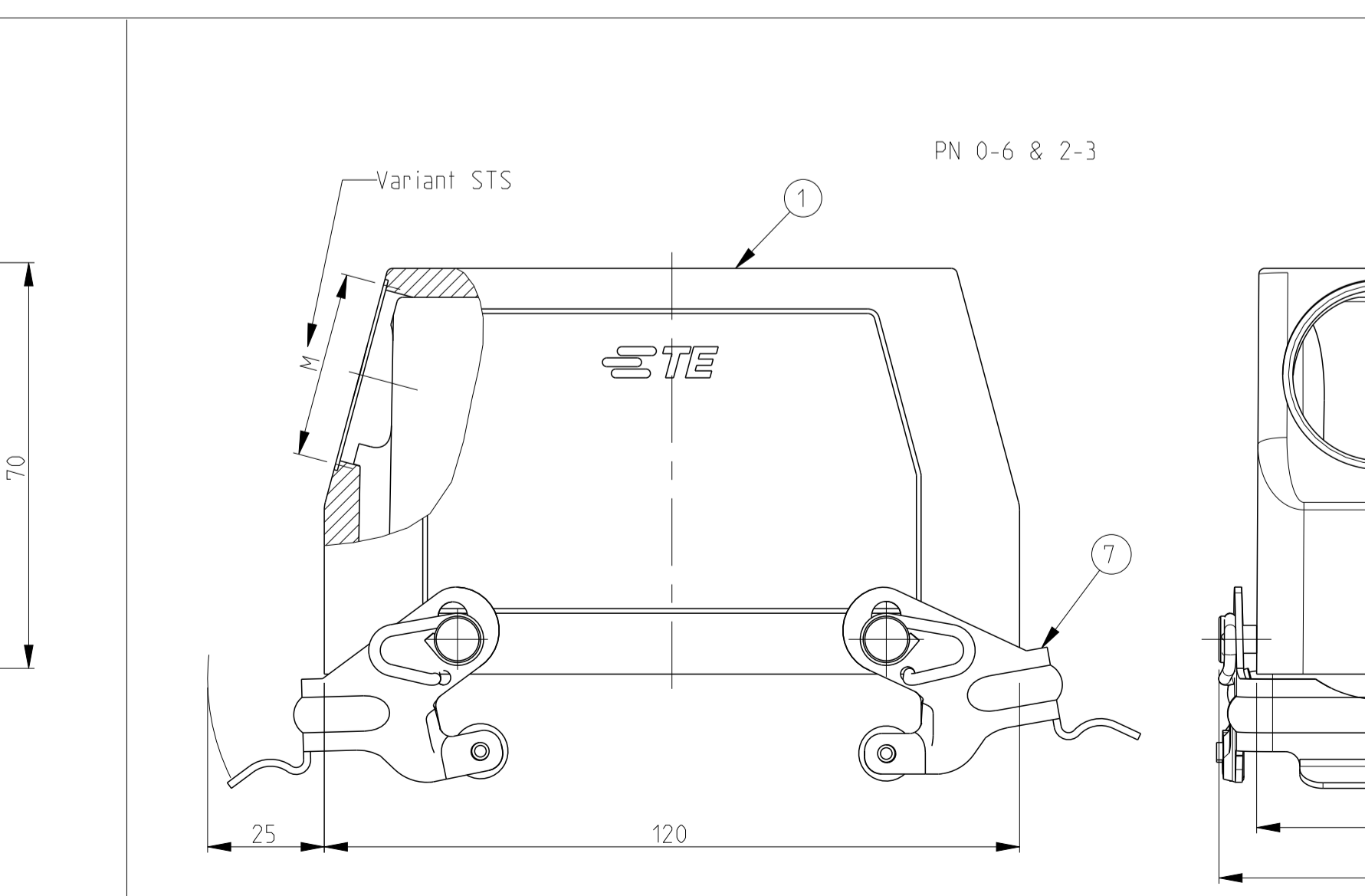
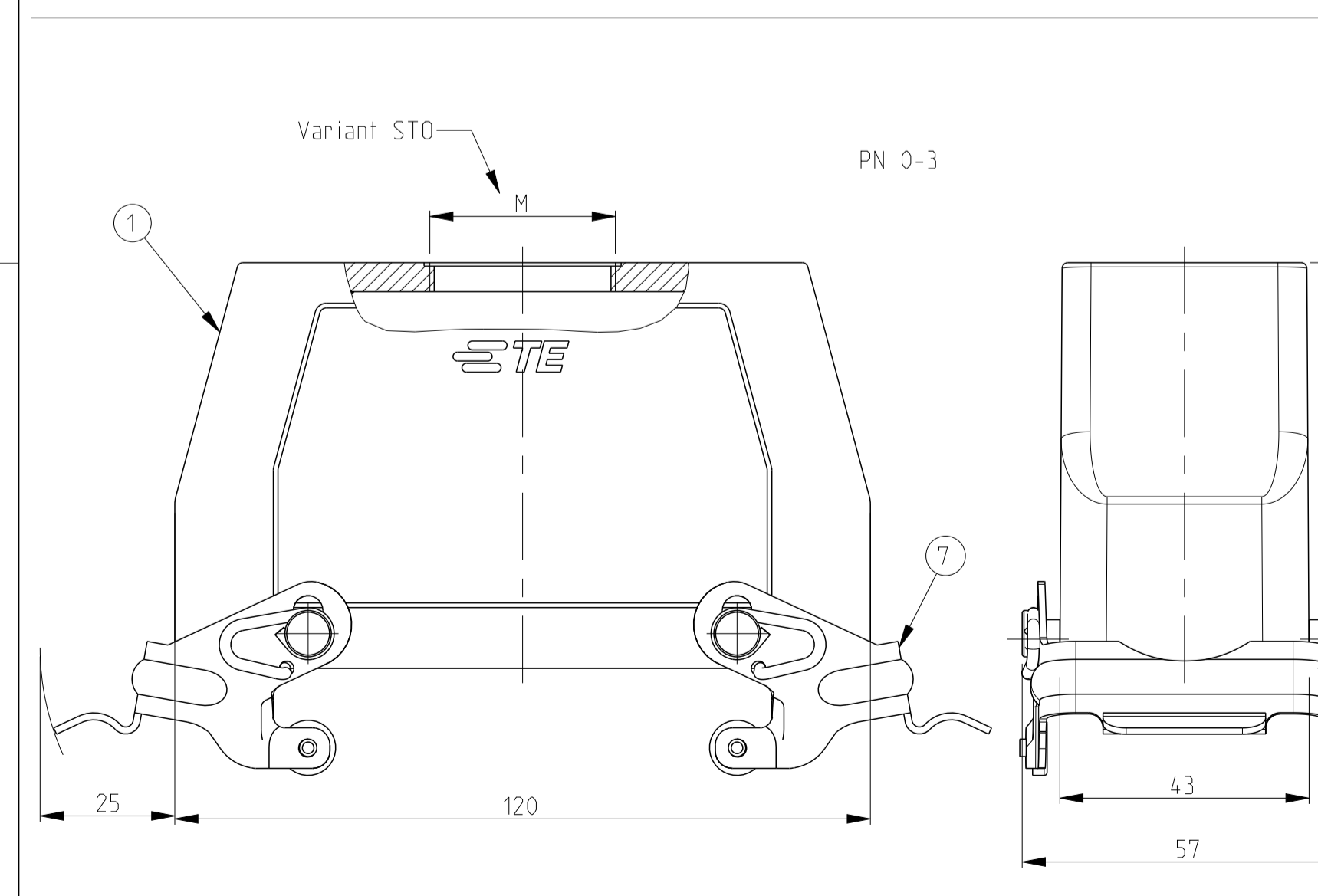
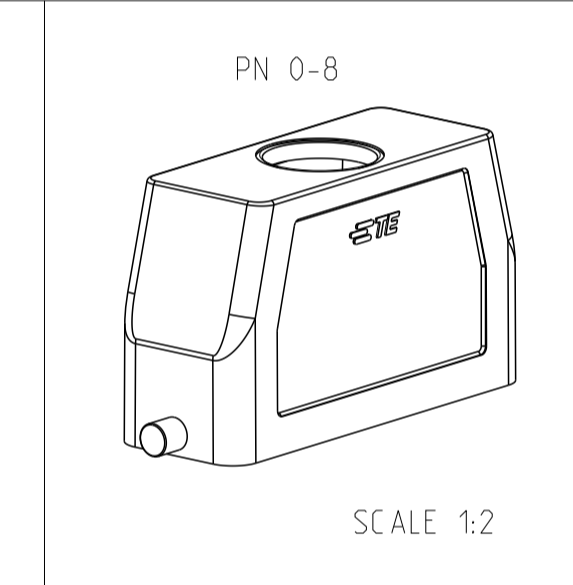
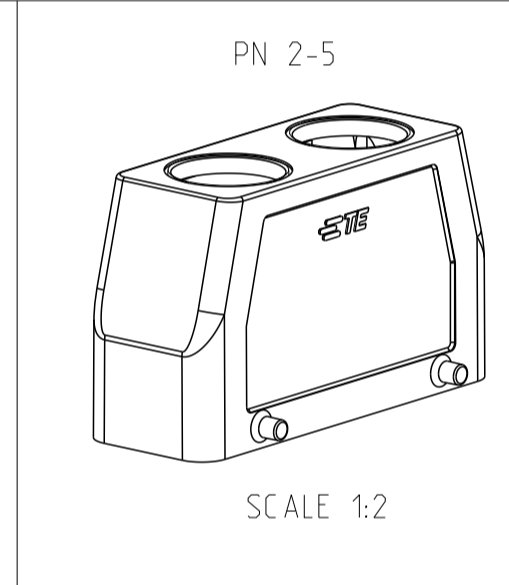
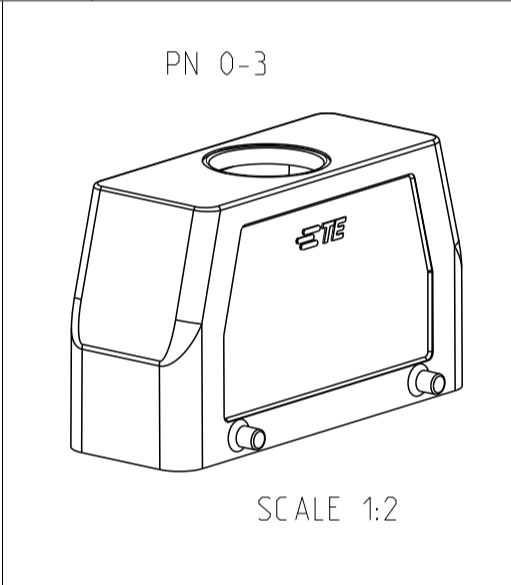
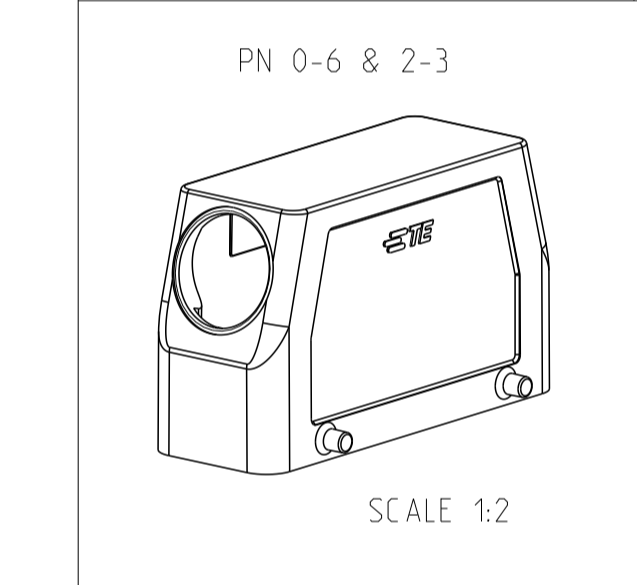
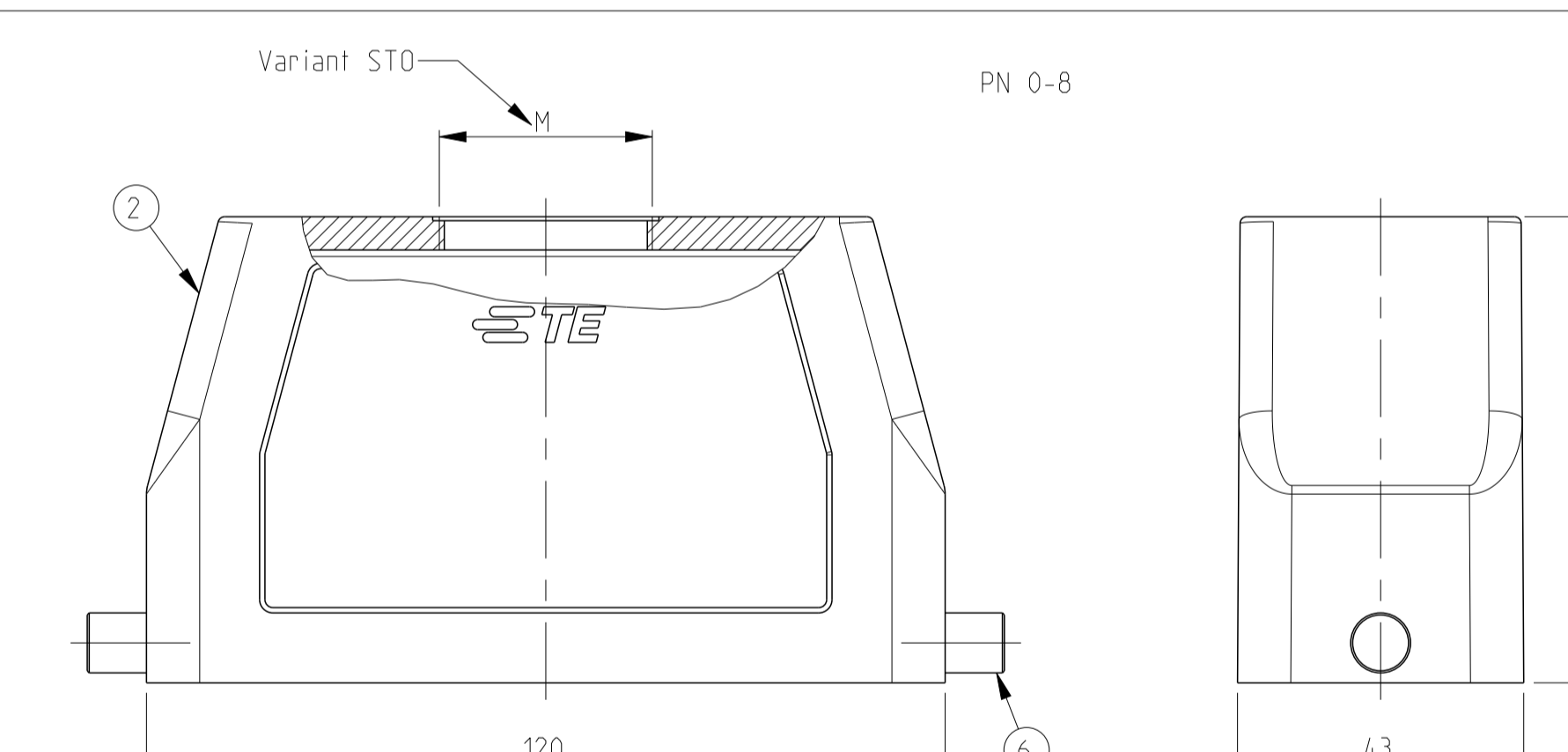
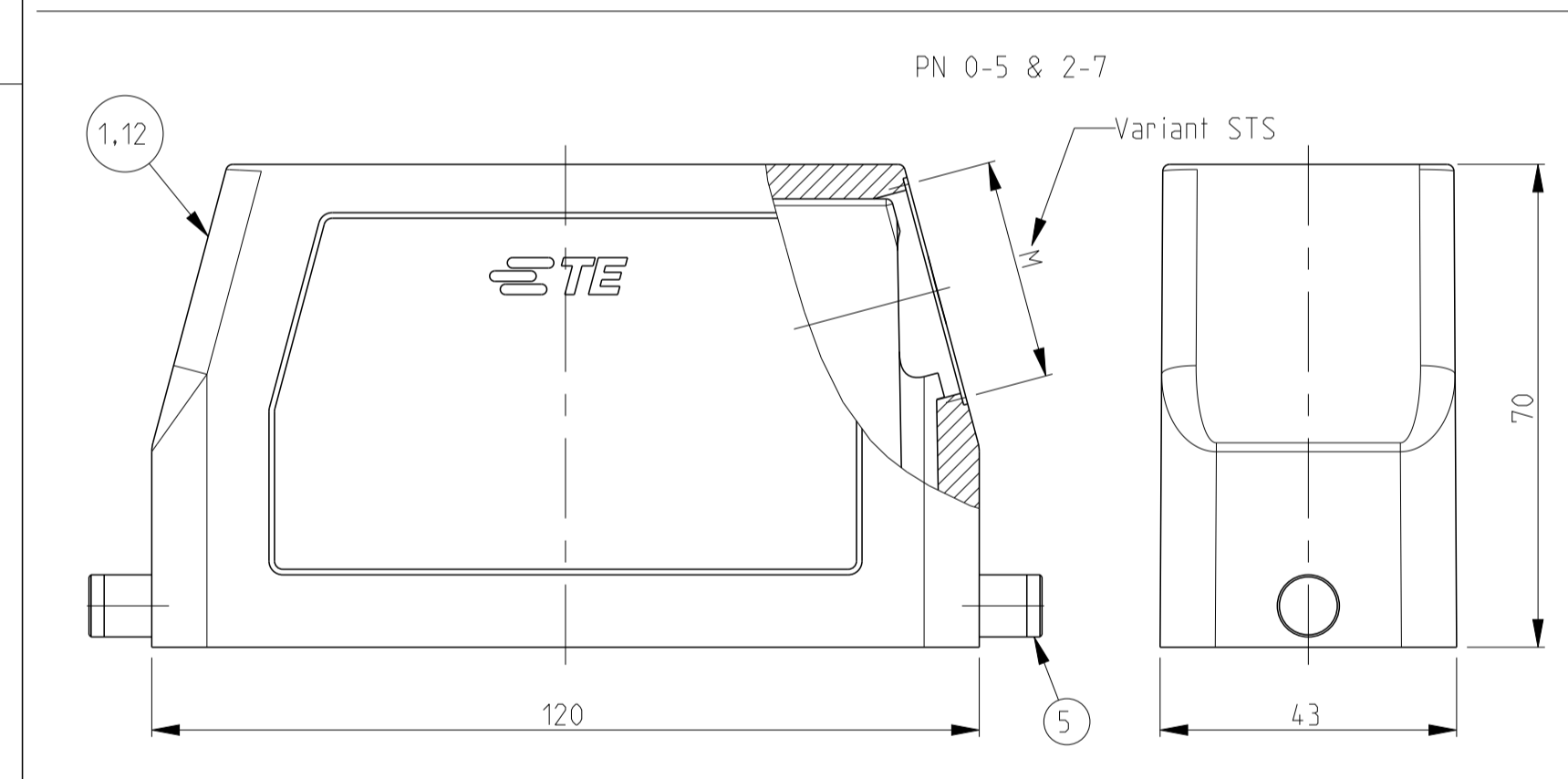
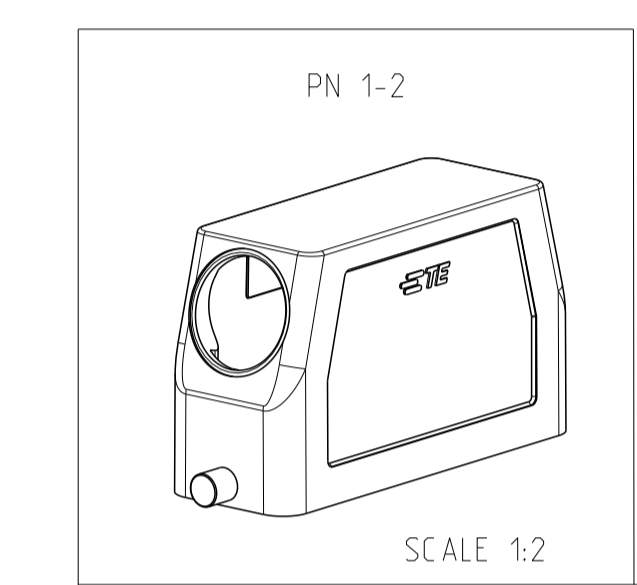
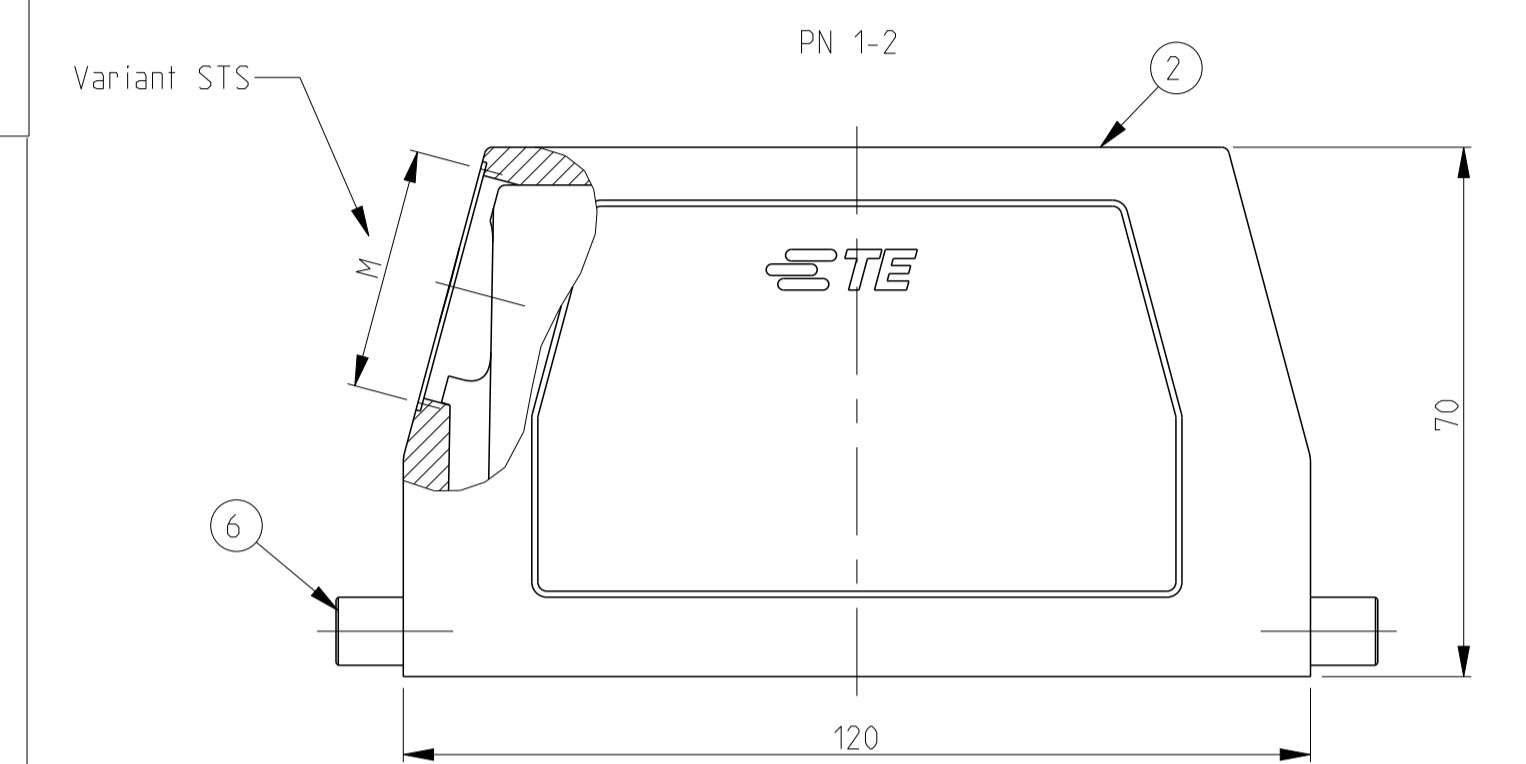
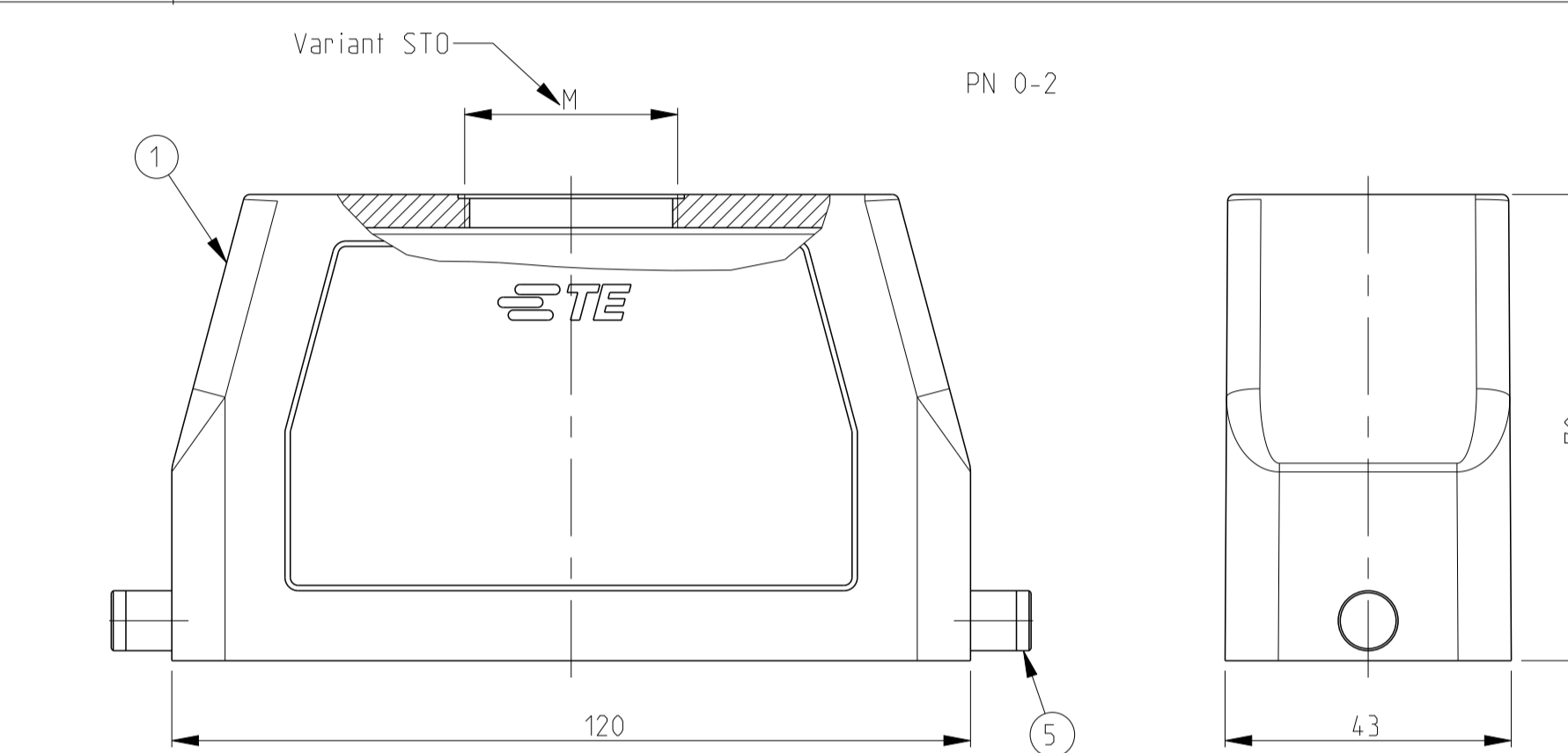
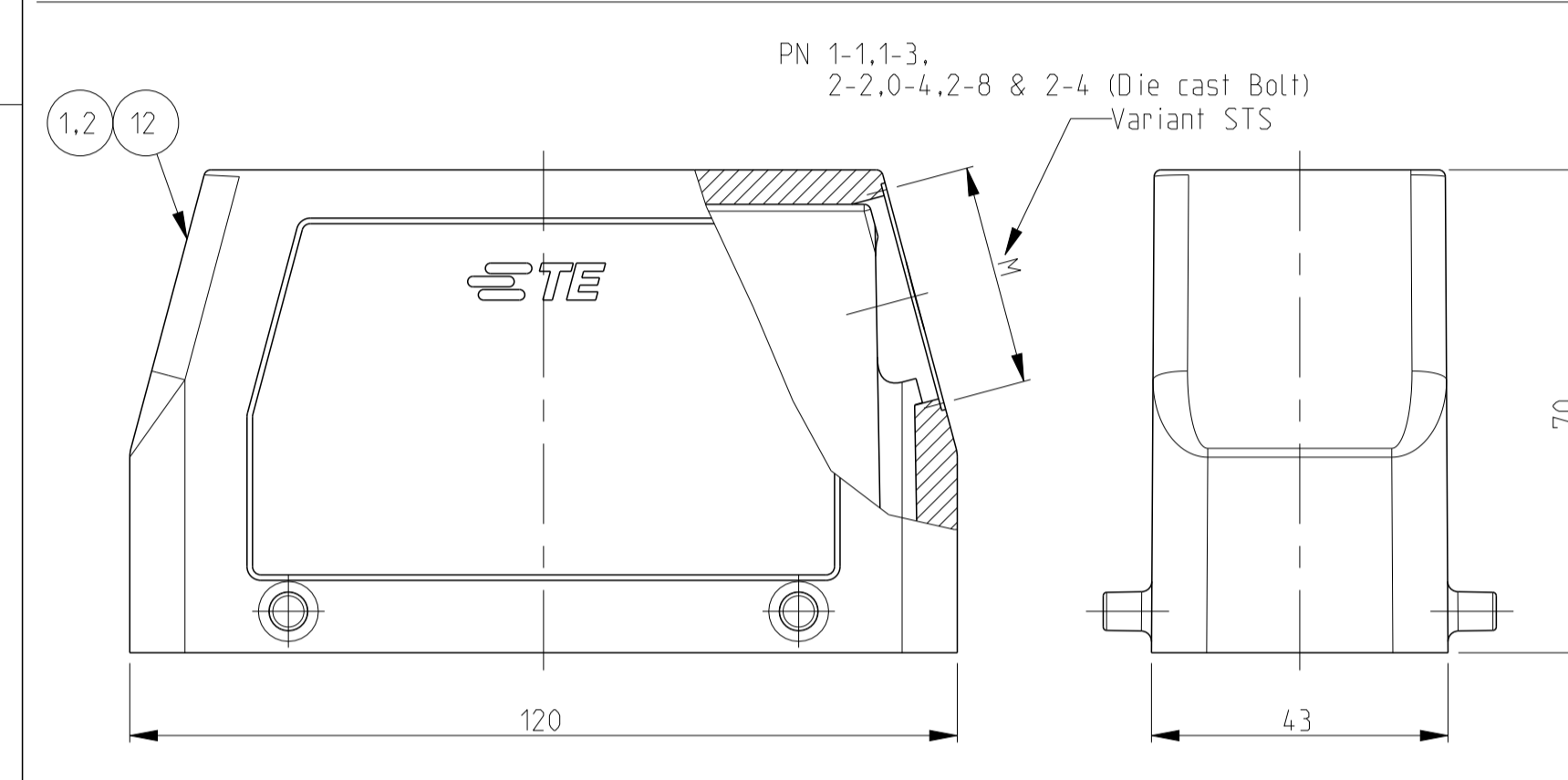


REVISONS		DATE	OWN	APVD
LOC	DIST			
A1	-			
P	LTN	DESCRIPTION		
A14		REVISED PER ECR-22-155004	100CT2022	RK JB

NOTES:

- Material:Housing:Aluminium Diecasting Alloy
- Surface-Powder Varnish Grey
-Aluminium Oxide +
-Varnish Black
-Chromit Passivation +
-Varnish Black
- Varnish on the inside not necessary
- Special Packaging
- Packaging
Quantity 5 Pieces in a box



ITEM NO	DESCRIPTION	MATERIAL	SURFACE	COLOR	ITEM NO	NOTES
1	HB-EMV Hood	Aluminium	Aluminium Chromated	Black	12	
2	HB Hood	Aluminium		Grey	11	2xM32
3	ZB Central clip	Stainless Steel	Blank	Blue	10	
4	ZB Central clip	Steel	Zinc Plated	Blue	9	
5	VS Locking clip	Stainless Steel	Blank	Blue	8	
6	VS Locking clip	Steel	Zinc Plated	Blue	7	
7	LB Clip bolt	Stainless Steel	Blank	Blue	6	
8	LB Clip bolt	Steel	Zinc Plated	Blue	5	
9	VS Locking clip bolt	Stainless Steel	Blank	Blue	4	
10	H-ELEON Hood	Aluminium		Grey	3	
11	HB-X Hood	Aluminium	Aluminium Oxide	Black	2	
12	HB Hood	Aluminium		Grey	1	

THIS DRAWING IS A CONTROLLED DOCUMENT.

DATE: 01.08.2000
 DWG: Schneider
 CHK: 01.08.2000
 APVD: Schwaiger

PROJECT SPEC: 108-74001
 APPLICATION SPEC: 114-74001
 DIMENSIONS: mm
 TOLERANCES UNLESS OTHERWISE SPECIFIED:
 FINISH: # # # # #

NAME: HOOD
 HB.24.ST0/STS M-Thread

SIZE: A1
 CAGE CODE: -
 DRAWING NO: C=1106465
 SHEET: 1 OF 1
 RESTRICTED TO: -
 SCALE: 1:1

CUSTOMER DRAWING