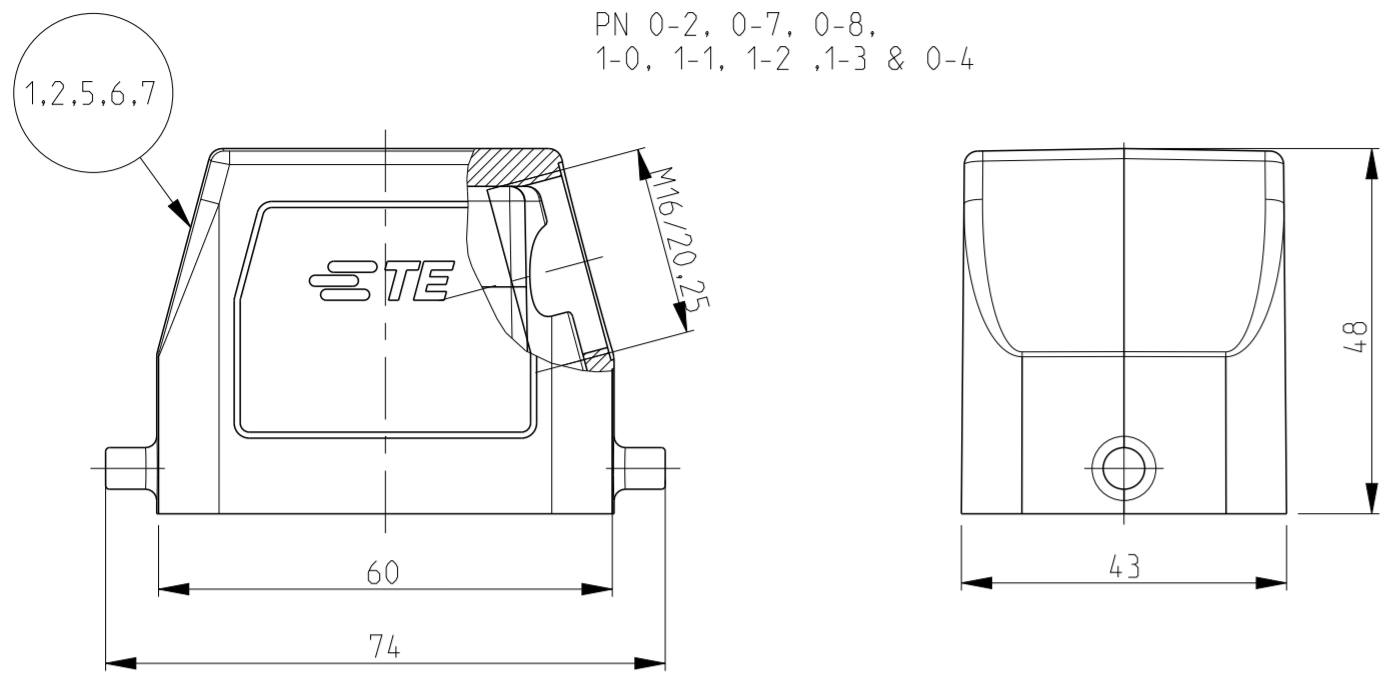


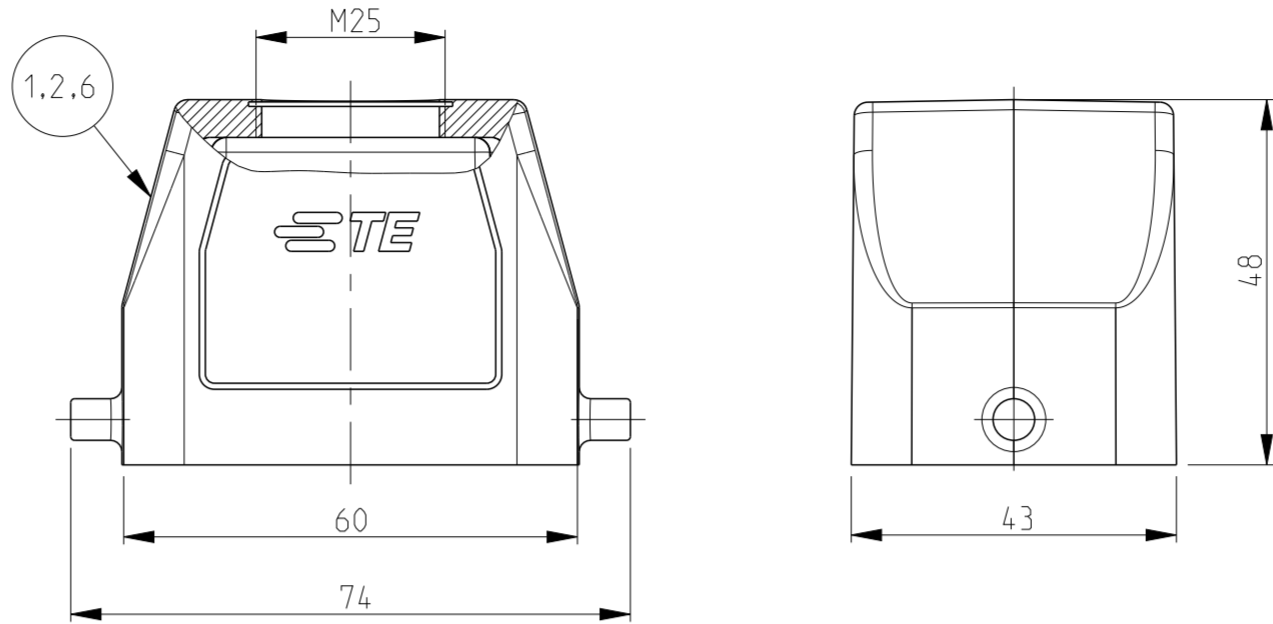
THIS DRAWING IS UNPUBLISHED. RELEASED FOR PUBLICATION 1997
 © COPYRIGHT 1997 BY - ALL RIGHTS RESERVED.

REVISIONS				
P	LTR	DESCRIPTION	DATE	DWN APVD
A16	ECR-21-123564		02AUG2022	RK JB

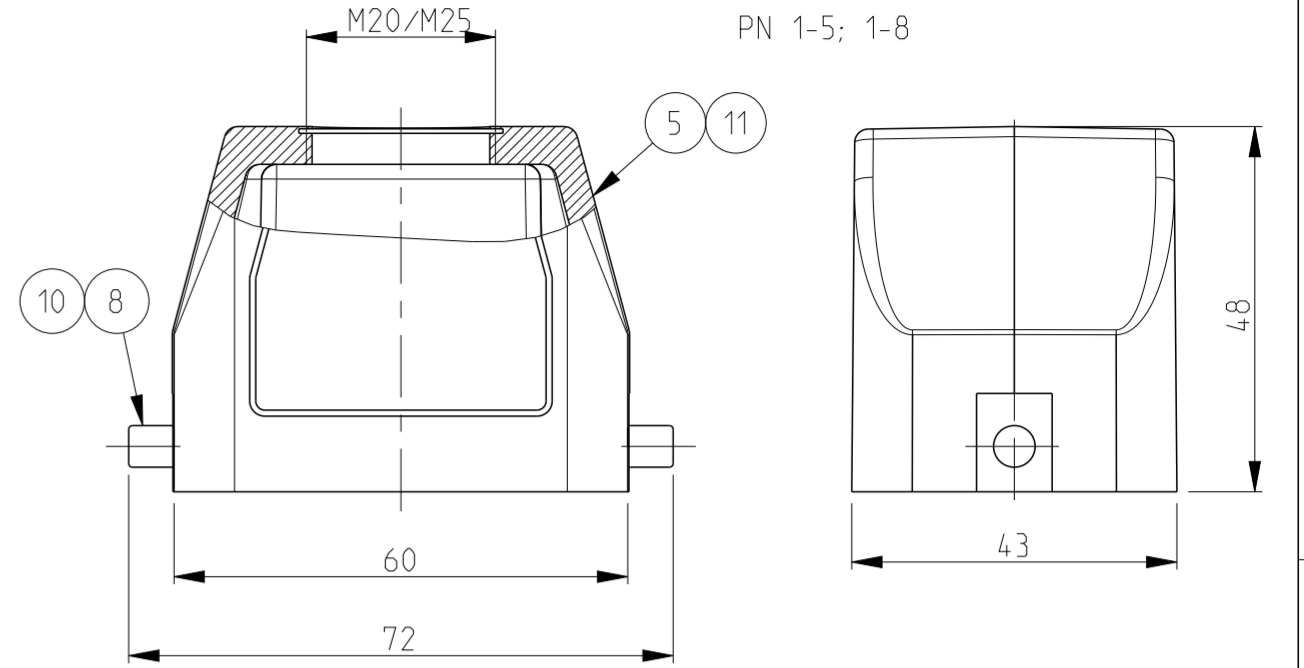
PN 0-2, 0-7, 0-8,
1-0, 1-1, 1-2, 1-3 & 0-4



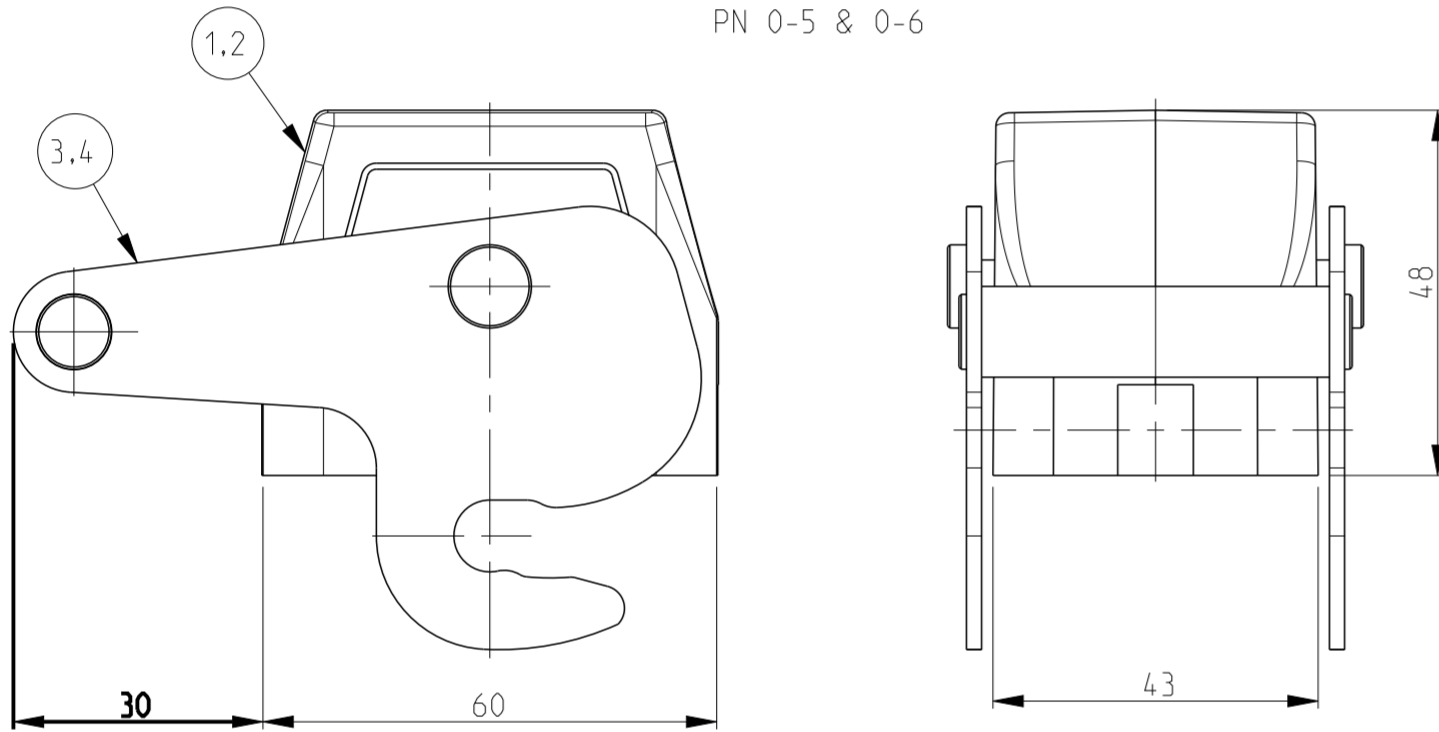
PN 0-1,0-9,1-7 & 0-3



PN 1-5; 1-8



PN 0-5 & 0-6



Notes

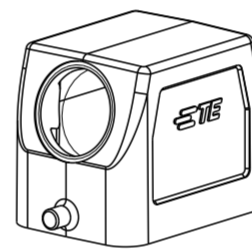
- 1 Material:Housing: Aluminium diecasting alloy
- 2 Surface:-Powder varnish-grey
-Aluminium oxide+varnish black
-chromit AL TCP passivation
+varnish black
- 3 Varnish on the inside not necessary
- 4 Packaging
Packaging quantity: 5 pieces in a box

PN 0-1,0-9,1-7 & 0-3



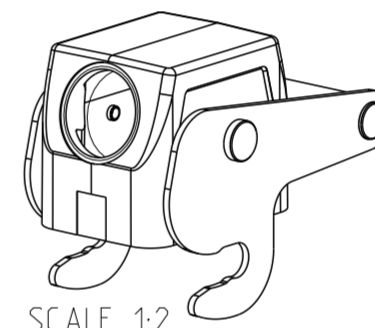
SCALE 1:2

PN 0-2,0-7,0-8,
1-0,1-1,1-2,1-3 & 0-4



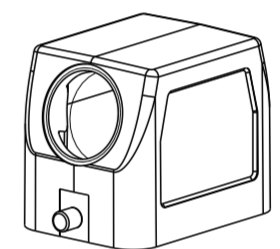
SCALE 1:2

PN 0-5 & 0-6



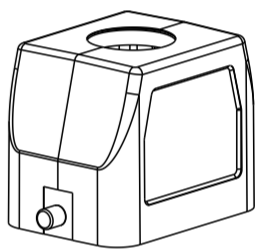
SCALE 1:2

PN 1-4 & 1-6



SCALE 1:2

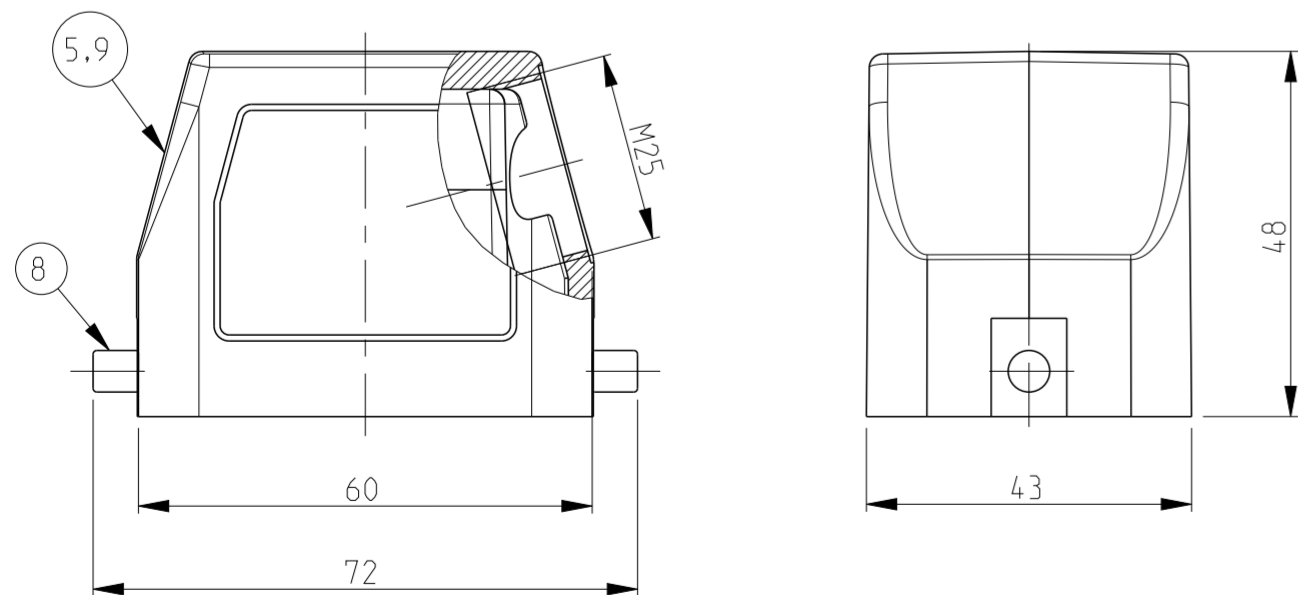
PN 1-5 & 1-8



SCALE 1:2

OBSOLETE	OBSOLETE	OBSOLETE	OBSOLETE	OBSOLETE	OBSOLETE	OBSOLETE	DESCRIPTION	MATERIAL	SURFACE	COLOR	ITEM NO	NOTES												
							Hood HB-K	Aluminium	Aluminium oxide	Black	11													
							LB-Clip bolt	Stainless steel			10													
		1					Hood HB	Aluminium		Knows RAL 9010	9	Without TE Logo												
		2	2	2			LB-Clip bolt	Steel	Zinc plated	Blue	8													
				1			Hood HB	Aluminium		Fire red RAL3000	7													
	1						Hood HB-EMV	Aluminium	SEE NOTE 2	Black	6													
			1				Hood HB	Aluminium		Grey	5	Without TE logo												
							ZB-Locking clip	Stainless steel	Blank		4													
							ZB-Locking clip	steel	Zinc plated	Blue	3													
						1	Hood HB-K	Aluminium	Aluminium oxide	Black	2													
						1	Hood HB	Aluminium		Grey	1													
1-8	1-7	1-6	1-5	1-4	1-3	1-2	1-1	1-0	0-9	0-8	0-7	0-6	0-5	0-4	0-3	0-2	0-1	DESCRIPTION	MATERIAL	SURFACE	COLOR	ITEM NO	NOTES	
HB-K-6-ST0-1.M20-G	HB-EMV-6-ST0-1.M25-G	HB-6-ST0-1.M25-G	HB-6-ST0-1.M25-G	HB-6-ST0-1.M25-G	HB-6-ST0-1.M20-G	HB-EMV-6-ST0-1.M25-G	HB-6-ST0-1.M25-G	HB-6-ST0-1.M25-G	HB-6-ST0-1.M25-G	HB-6-ST0-1.M25-G	HB-6-ST0-1.M25-G	HB-6-ST0-1.M25-G	HB-6-ST0-1.M25-G	HB-6-ST0-1.M25-G	HB-6-ST0-1.M25-G	HB-6-ST0-1.M25-G	HB-6-ST0-1.M25-G							

PN 1-4 & 1-6



THIS DRAWING IS A CONTROLLED DOCUMENT.

DWN Schneider 28.11.02
CHK Schweiger 28.11.02
APVD -



DIMENSIONS: mm

TOLERANCES UNLESS OTHERWISE SPECIFIED:

0	PLC	±0.1
1	PLC	±0.1
2	PLC	±0.1
3	PLC	±0.1
4	PLC	±0.1

MATERIAL FINISH

PRODUCT SPEC 108-74001/74003
APPLICATION SPEC 114-74001/74004/74005
WEIGHT -

NAME HOOD HB6

SIZE A2 CAGE CODE 00779 DRAWING NO C-1106419 RESTRICTED TO

CUSTOMER DRAWING SCALE 1:1 SHEET 1 OF 1 REV A16