

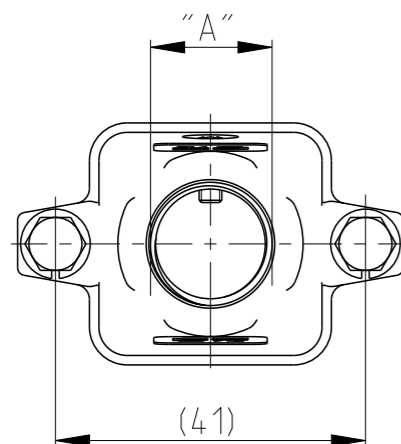
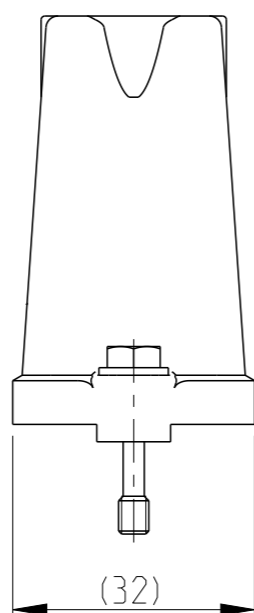
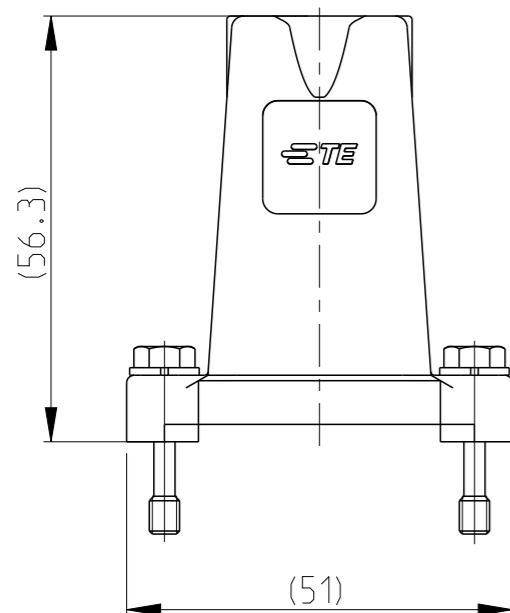
REVISIONS

P	LTR	DESCRIPTION	DATE	DWN	APVD
A3		ECR-09-023155	22OCT2009	VG	AR
A4		ECR-10-009092	24MAR2010	RO	BR
B		ECR-16-001855	29FEB2016	GCM	JB
C		ECR-16-014579	26APR2017	GCM	JB

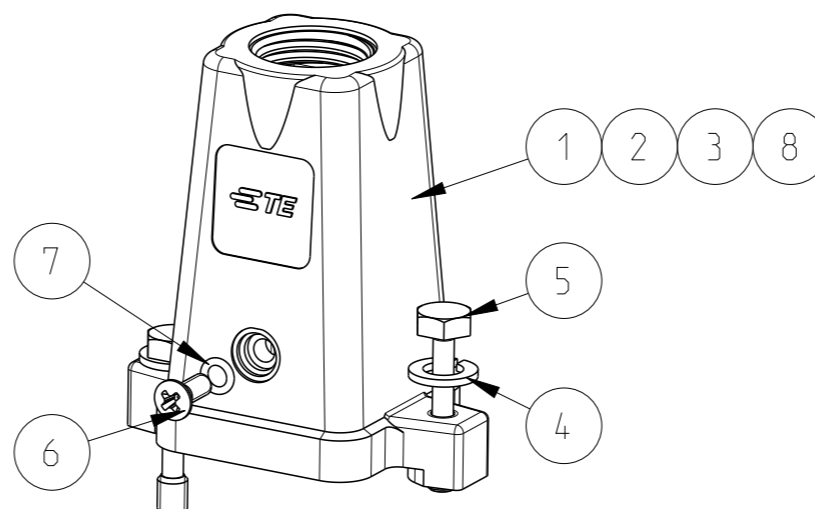
Notes

- SUITABLE HOUSINGS: SERIES HIP, SIZE 1  
CUSTOMER DRAWING 1102603, 1102602
- STANDARDS:  
DIN EN 61984, DIN EN 60664-1
- TOOL:  
PHILLIPS SCREWDRIVER PH1  
HEXAGON SCREWDRIVER 7mm
- VARNISH ON INSIDE AREA NOT NECESSARY
- PACKAGING:  
10 SETS IN A CARTON, PRE-MOUNTED

0-1106408-4	HIP-K.3/4.ST-N
0-1106408-3	HIP-K.3/4.STO.1.M20.G
0-1106408-2	HIP-K.3/4.STO.1.M16.G
0-1106408-1	HIP.3/4.STO.1.M16.G
PART NO.	ORDERING TEXT



PN 0-1 AS SHOWN

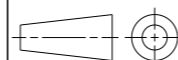


QTY	PN	QTY	QTY	DESCRIPTION	Dim.	MATERIAL	COLOR/SURFACE	NOTE	ITEM
1	-	-	-	CONNECTOR HOUSING	-	ALU ALLOY	BLACK	SERIES HIP-K, SIZE 1, W/O LOGO AND THREAD	8
1	1	1	1	O - RING	-	NBR	BLACK	3.0x1.0	7
1	1	1	1	SCREW COUNTERSUNK RAISED HEAD	-	STAINL. STEEL	V2A	M3x8 PH1 DIN EN ISO 7047	6
2	2	2	2	SCREW, HEXAGON BOLT	-	STAINL. STEEL	BLANK	M4x22 DIN EN ISO 7964, REDUCED SHUNK	5
2	2	2	2	WASHER, PLAIN	-	STAINL. STEEL	BLANK	A4, DIN EN ISO 7989. 200HV	4
-	1	-	-	CONNECTOR HOUSING	M20	ALU ALLOY	BLACK	SERIES HIP-K	3
-	-	1	-	CONNECTOR HOUSING	M16	ALU ALLOY	BLACK	SERIES HIP-K	2
-	-	-	1	CONNECTOR HOUSING	M16	ALU ALLOY	GREY	SERIES HIP	1
0-4	0-3	0-2	0-1		"A"				
PN/QTY				DESCRIPTION	Dim.	MATERIAL	COLOR/SURFACE	NOTE	ITEM

PARTS LIST (PER ONE UNIT)

THIS DRAWING IS A CONTROLLED DOCUMENT.

DIMENSIONS:  
mm



TOLERANCES UNLESS OTHERWISE SPECIFIED:

0 PLC	±
1 PLC	±
2 PLC	±
3 PLC	±
4 PLC	±
ANGLES	±1°
FINISH	-

MATERIAL

DWN V.GLUMM 13AUG2009

CHK H.Braun 13AUG2009

APVD T.Schnurpfeil 13AUG2009

PRODUCT SPEC

APPLICATION SPEC

WEIGHT

CUSTOMER DRAWING



TE Connectivity

NAME  
CONNECTOR HOUSING ASS'Y, TOP ENTRY  
SERIES HIP, SIZE 1, M16 / M20  
METRIC

SIZE	CAGE CODE	DRAWING NO	RESTRICTED TO
------	-----------	------------	---------------

A3	00779	©=1106408
----	-------	-----------

SCALE	1:1	SHEET	1 OF 1	REV	C
-------	-----	-------	--------	-----	---