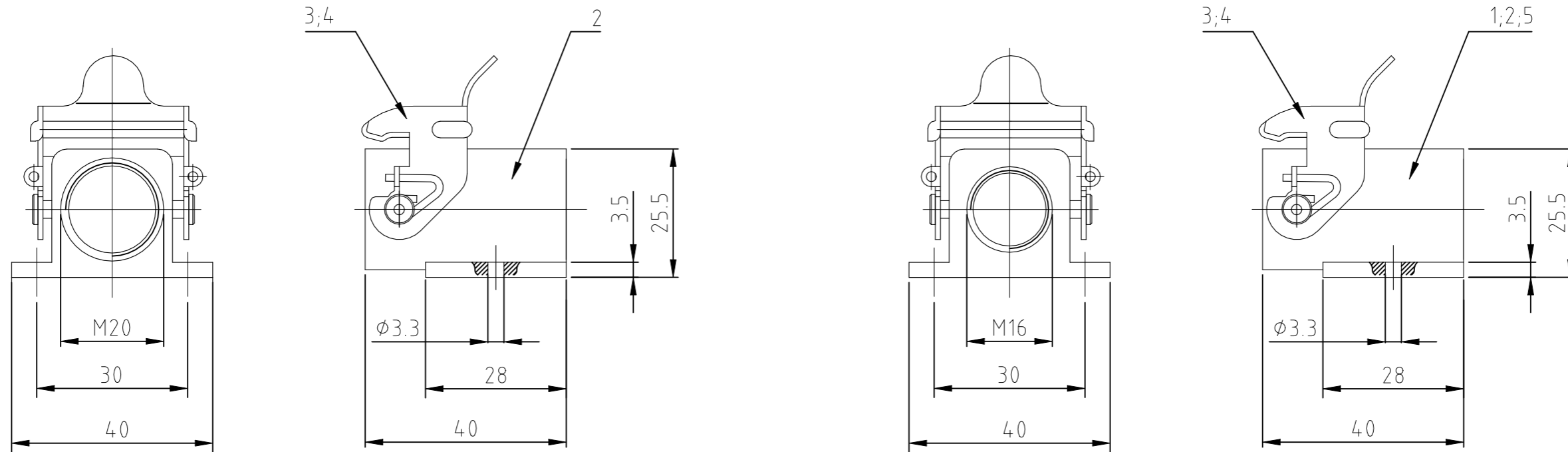


P	LTR	DESCRIPTION BESCHREIBUNG	DATE	DWN	APVD
A9	ECR-21-123577		09JUL2022	RK	JB



Notes

- 1 Material: zink diecast
- 2 Surface: - varnish grey
- varnish black
- 3 Varnish on the inside not necessarily
- 4 Special packing
Packaging quantity 100 pieces
- 5 Packaging quantity 10 pieces

QTY	QTY	QTY	QTY	QTY	QTY	DESCRIPTION / BENENNUNG	MATERIAL	SURFACE / OBERFLÄCHE	COLOR / FARBE	ITEM NO. POS.	NOTES
1						surface mounted housing side entry	zink diecast	blue pasivation	without varnish	5	
					1	side clip	stainless steel			4	
1	1	1			1	side clip	steel	zink plated	blue	3	
					1	surface mounted housing side entry	zink diecast		black	2	
	1	1			1	surface mounted housing side entry	zink diecast		grey	1	
0-5	0-4	0-3	0-2	0-1							
5	4	5	5	5							
HA-EMV-K.3.SG-LB.1.M16.G	HA.3.SG-LB.1.M16.G.KM	HA.3.SG-LB.1.M20.G	HA-K.3.SG-LB.1.M16.G	HA.3.SG-LB.1.M16.G							

THIS DRAWING IS A CONTROLLED DOCUMENT. DIESE ZEICHNUNG IST EIN KONTROLLIERTES DOKUMENT.		DWN Schneider 15.08.01	TE Connectivity	
DIMENSIONS: MASSENEHITEN: mm TOLERANCES UNLESS OTHERWISE SPECIFIED: ALL GEMEINTOLERANZEN n. ISO 2768 - mH-E n. DIN 16901 - 120		CHK Schnurpfeil 15.08.01		
		APVD -	NAME	
MATERIAL 1		PRODUCT SPEC PRODUKTSPEZ. -	SURFACE MOUNTED HOUSING SIDE ENTRY Sockelgehaeuse HA.3.1.M16	
FINISH/OBERFLAECHE/FARBE 2		APPLICATION SPEC VERARBEITUNGSSPEZ. -	SIZE A3	RESTRICTED TO NUR FUER
ORDERING TEXT / BESTELTEXT		WEIGHT GEWICHT -	CAGE CODE 00779	DRAWING NO ZEICHNUNGS-NR. C-1106404
		CUSTOMER DRAWING/KUNDENZEICHNUNG		SCALE MASSTAB 1:1
				SHEET BLATT 1 OF 1 VON 1
				REV A9