

THIS DRAWING IS UNPUBLISHED
VERTRAULICHE UNVERÖFFENTLICHE ZEICHNUNG

RELEASE FOR PUBLIKATION
FREI FUER VERÖFFENTLICHUNG

MATED WITH:
PASSEND ZU:

LOC AI
DIST -

REVISIONS
ÄNDERUNGEN

© COPYRIGHT 2000

BY AMP INCORPORATED

ALL RIGHTS RESERVED
ALLE RECHTE VORBEHALTEN

1104701

PROJEKT NR.
EGGMN04419

P

LTR

B3 ECR-17-014051

DESCRIPTION
BESCHREIBUNG

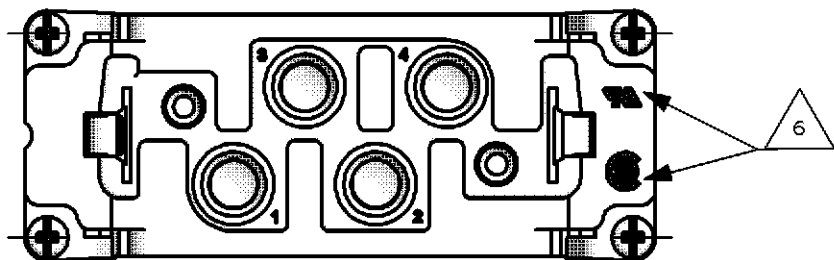
DATE

DWN

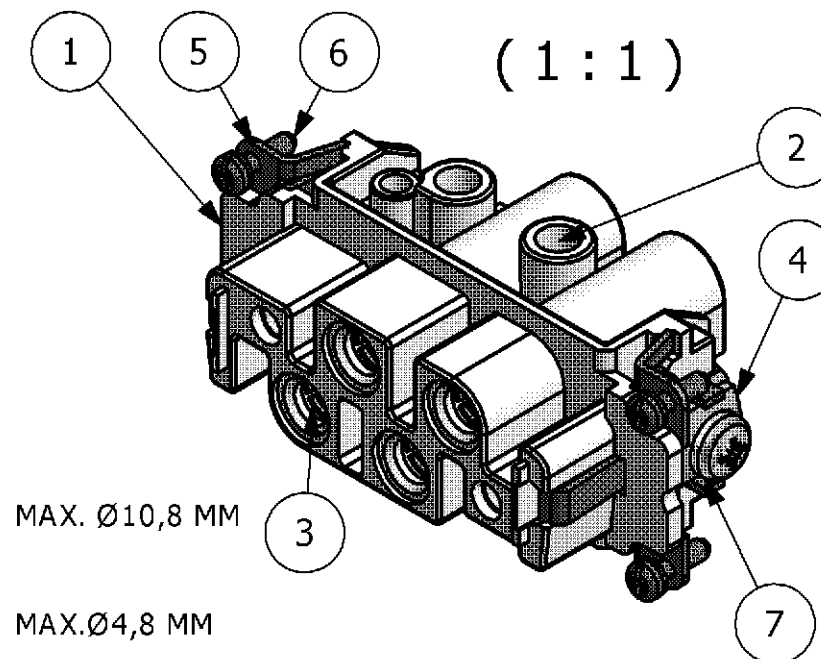
APVD

04APR18 SG MKO

CONTACT ARRANGEMENT VIEW FROM CONECTING SIDE



A (2:1)



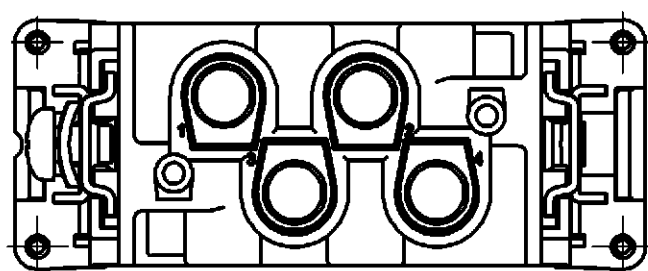
(1:1)

NOTES

- 1 POWER CONTACT: 1 TO 4
OUTER DIMENSIONS OF INSULATION: MAX. Ø10,8 MM
- 2 SIGNAL CONTACT: 11 and 12
OUTER DIMENSIONS OF INSULATION: MAX.Ø4,8 MM
- 3 GROUNDING CONTACT:
- 4 SUITABLE HOOD SIZE 6: SERIES HB; HD; EMV AND HIP
- 5 STANDARDS:
DIN EN 61984; DIN EN 60664-1
- 6 UL; CSA AUTHORISATION
- 7 PACKAGING:
5 PIECES IN A CARTON

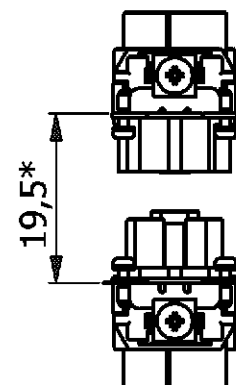
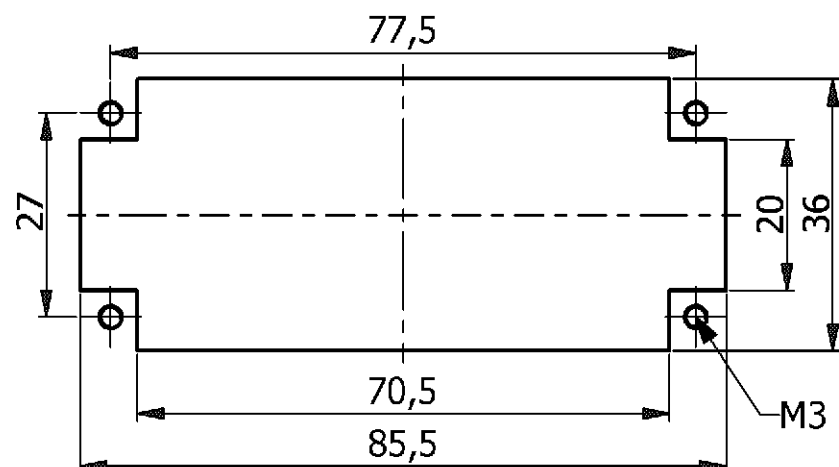
PN 0-1 AS SHOWN **SUPERSEDED BY T2100042201-000**
ORDERING TEXT: HMX.4/0.BU.S

CONTACT ARRANGEMENT VIEW FROM TERMINATION SIDE



* DISTANCE FOR GUARANTEED CONTACT MAX. 21 mm

PANET CUT-OUT CONTACT INSERT WHEN USED WITHOUT HOUSING



QTY.	DESCRIPTION	MATERIAL	SURFACE	COLOR	NOTE	ITEM
1	SCREW	STEEL	NICKEL PLATED	BLUE	DIN EN ISO 1207-M5X8	7
4	FIXING SCREW	STEEL	NICKEL PLATED	BLUE	M3X10,5	6
2	SOCKET GROUNDING CONTACT	BRASS	NICKEL PLATED	BLUE	-	5
1	CLAMP TAB	STEEL	NICKEL PLATED	BLUE	---	4
4	SOCKET CONTACT	BRASS	SILVER PLATED	BLUE	-	3
4	THREAD PIN	STEEL	NICKEL PLATED	BLUE	-	2
1	FEMALE INSERT	PBT-GF30	-	LIGHT GREY	-	1

PARTS LIST

THIS DRAWING IS A CONTROLLED DOCUMENT FOR AMP INCORPORATED. IT IS SUBJECT TO CHANGE AND THE CONTROLLING ENGINEERING ORGANIZATION SHOULD BE CONTACTED FOR THE LATEST REVISION. DIESSES ZEICHNUNGSDOKUMENT WIRD DURCH AMP INCORPORATED KONTROLLIERT. ÄNDERUNGEN, DIE DEM TECHNISCHEN FORTSCHRITT DIENEN, SIND VORBEHALTEN. DEN JEWEILS LETZTIGELTIGEN ÄNDERUNGSSTAND ERFAHREN SIE AUF ANFRAGE.		DWN 12.07.2005		
DIMENSIONS: DIMENSIONEN: mm		CHK 12.07.2005		
TOLERANCES UNLESS OTHERWISE SPECIFIED: ALLGEMEINTOLERANZEN n. ISO 8015 - # n. ISO 2768 - mH-E # n. DIN 16901- # 0 PLC # 1 PLC # 2 PLC # 3 PLC # ANGLES / WINKEL #		APVD -	NAME	
		PRODUCT SPEC. PRODUKTSPEZ. 108-74058	FEMALE INSERT	
MATERIAL		APPLICATION SPEC. VERARBEITUNGSSPEZ. 114-74058	HMX.4/0.BU.S	
FINISH / OBERFLAECH / FARBE		WEIGHT GEWICHT 0,121 KG	SIZE A3	CAGE CODE 00779
		DRAWING NO ZEICHNUNGS-NR. C-1104700		RESTRICTED TO NUR FUER
		CUSTOMER DRAWING / KUNDENZEICHNUNG		SCALE MASSSTAB 1:1
				SHEET BLATT 1 OF VON 1
				REV. B3