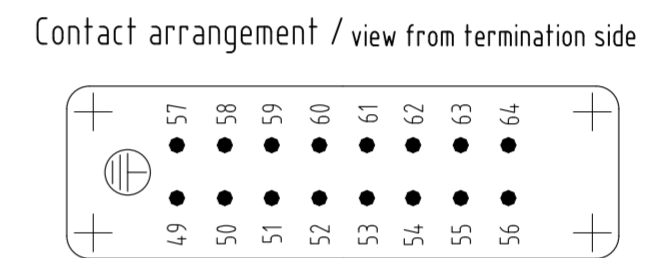
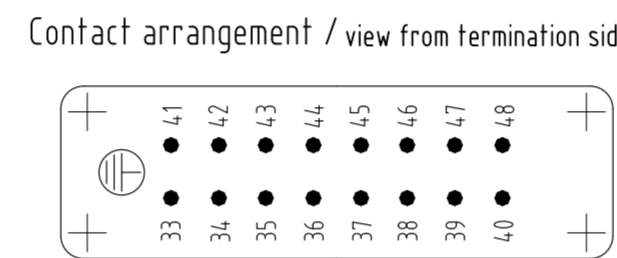
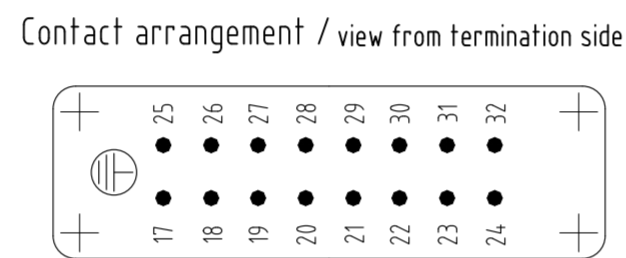
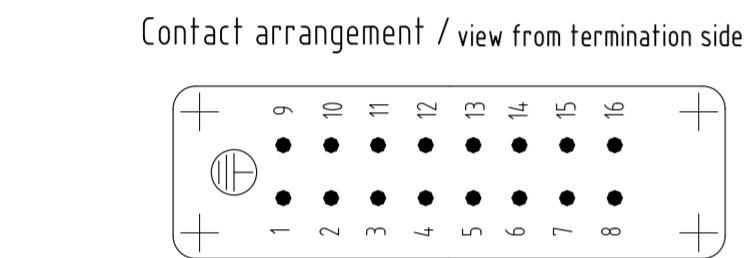
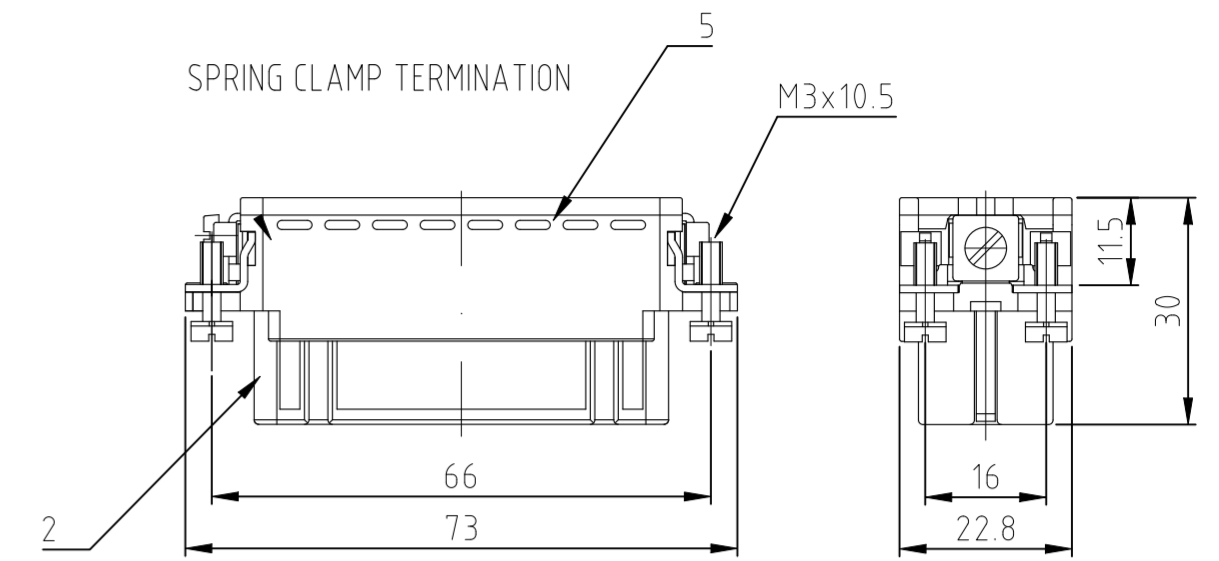
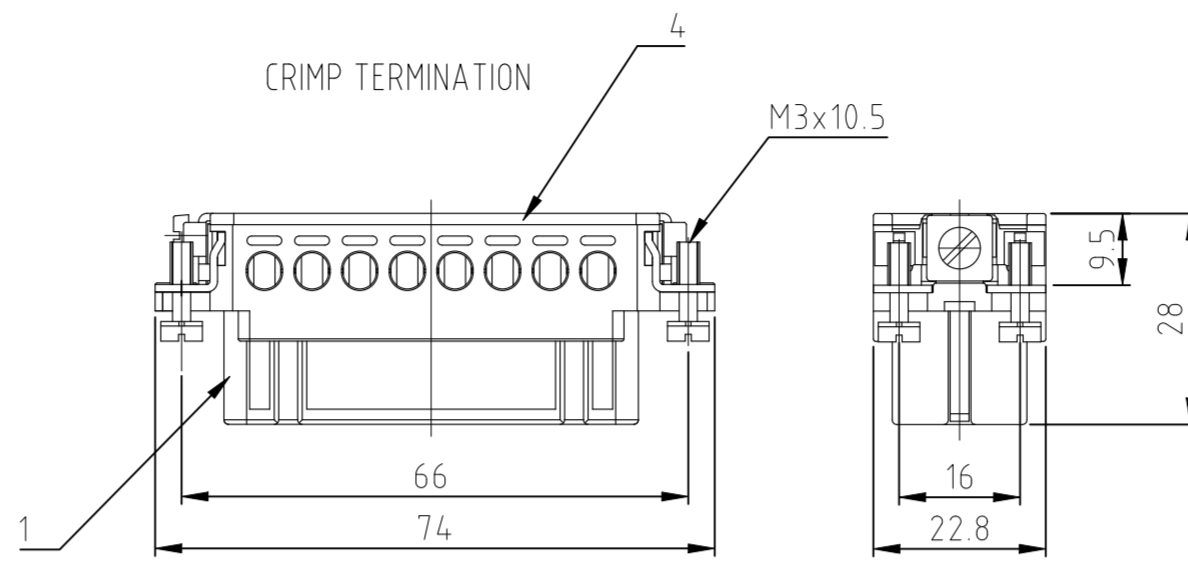
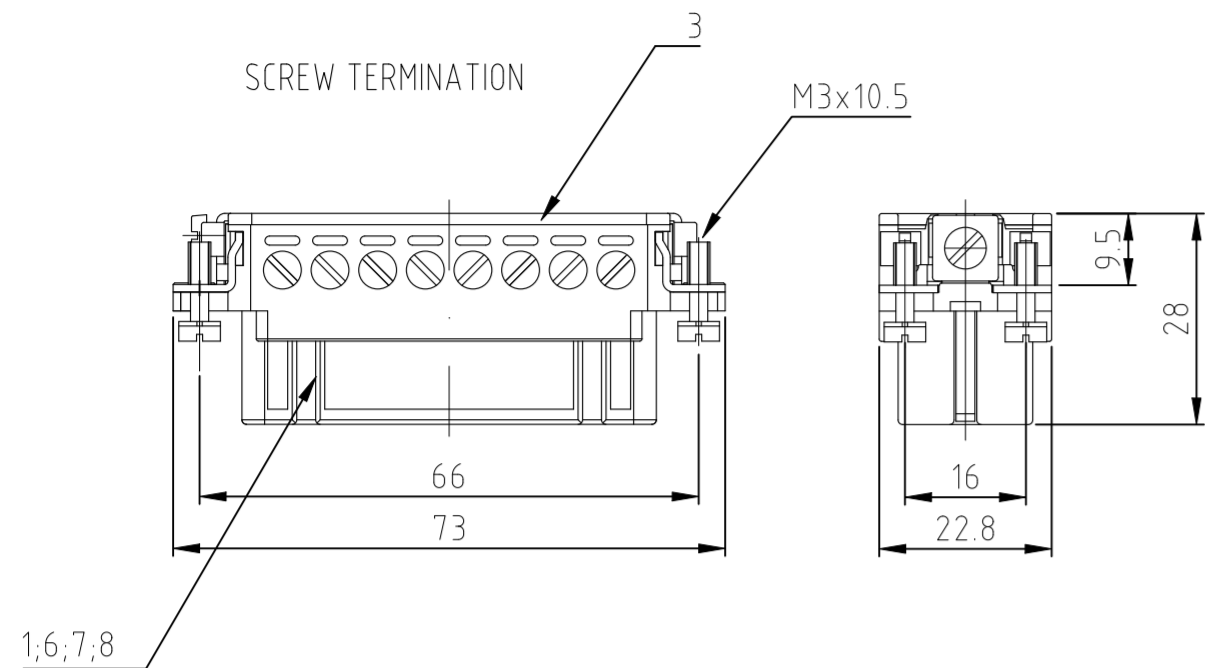


REVISIONS AENDERUNGEN					
P	LTR	DESCRIPTION BESCHREIBUNG	DATE	DWN	APVD
	D8	REVISED PER ECR-24-207253	06SEP2024	RK	WR

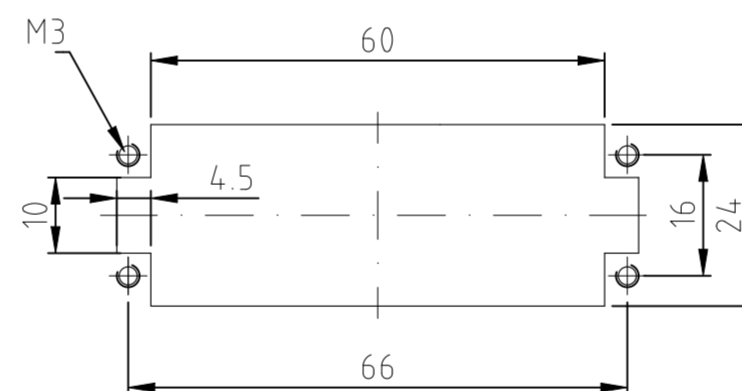


NOTES:

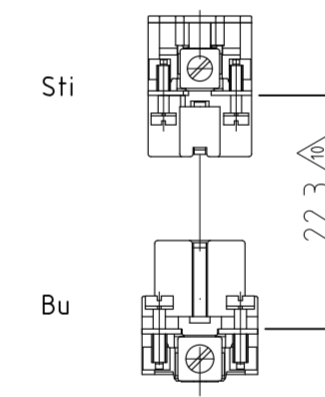
- 1 SUITABLE CRIMP CONTACTS: SERIES HE/HA
OUTER DIMENSIONS OF INSULATION: MAX. Ø3,2 MM
- 2 SUITABLE HOOD SIZE 5; 7; 9; 11: SERIES HA; HD
SUITABLE INSERTION AND EXTRACTION TOOL:
SCREWDRIVER 0,5x3 DIN 5264
- 3 Strip length: Screw conection 10mm
Spring clamp conection 10mm Crimp conection 7.5mm
- 4 STANDARDS:
DIN EN 61984; DIN EN 60664-1

- ⚠ PACKAGING:
5 SETS IN A CARTON, PRE-MOUNTED
- ⚠ SPECIAL PACKAGING: Krauss-Maffei
PACKAGING UNIT: 300 PIECES
- ⚠ SPECIAL PACKAGING: Krauss-Maffei
PACKAGING UNIT: 150 PIECES
- ⚠ SPECIAL PACKAGING: AIS
PACKAGING UNIT: 250 PIECES
- ⚠ SPECIAL PACKAGING: WIELAND
PACKAGING UNIT: 100 PIECES

Panel cut-out for contact insert when used without housing



Assembling instruction



⚠ DISTANCE FOR SAFETY CONTACT MARKING MAX. 24 mm

HA-16.Bu.S.B1-16.WIE	HA-16.Bu.S.B1-16.AIS	HA-16.Bu.S.B1-16.KM	HA-16.Bu.S.B1-16.KM	HA-16.Bu.S.VA-B 1-16	HA-16.Bu.S.VA-B 17-32	HA-16.Bu.S-AU-B 1-16	HA-16.Bu.C.B 49-64	HA-16.Bu.S.B 49-64	HA-16.Bu.S.C.B 49-64	HA-16.Bu.S.C.B 33-48	HA-16.Bu.S.B 33-48	HA-16.Bu.C.B 33-48	HA-16.Bu.S.B 47-32	HA-16.Bu.S.C.B 17-32	HA-16.Bu.C.B 17-32	HA-16.Bu.S.C.B 1-16	HA-16.Bu.C.B 1-16	HA-16.Bu.S.B 1-16	
					1														
						1													
							1												
								1											
									1										
										1									
											1								
												1							
													1						
														1					
															1				
																1			
																	1		
																		1	
																			1

DESCRIPTION / BENENNUNG	MATERIAL	COLOR / FARBE	ITEM NO. POS.	REMARKS / BEMERKUNGEN
Socket insert screw	PBT	light beige	8	with stainless steel-fixing screw
Socket insert screw	PBT	light beige	7	with stainless steel-fixing screw
Socket insert screw	PBT	light beige	6	with AU contact
Cover	PBT	light beige	5	
Cover	PBT	light beige	4	
Cover	PBT	light beige	3	
Socket insert spring clamp	PBT	light beige	2	
Socket insert crimp screw	PBT	light beige	1	

THIS DRAWING IS A CONTROLLED DOCUMENT. DIESE ZEICHNUNG IST EIN KONTROLLIERTES DOKUMENT.		DWN 09.02.2000 Schneider	TE Connectivity Female insert HA.16.BU.C/S	
DIMENSIONS: MASSENHEITEN mm TOLERANCES, UNLESS OTHERWISE SPECIFIED: ALLGEMEINTOLERANZEN		CHK 09.02.2000 Schweiger		
MATERIAL		PRODUCT SPEC 108-74007	NAME	SIZE A2 CAGE CODE 00779 DRAWING NO. ZEICHNUNGS-NR. C=1103417 RESTRICTED TO NUR FUER
FINISH / OBERFLAECHE / FARBE		APPLICATION SPEC. VERARBEITUNGSSPEZ. 114-74009	SCALE MASSTAB 1:1	
ORDERING TEXT / BESTELLTEXT		WEIGHT GEWICHT	SHEET BLATT 1 von 1	REV D8
CUSTOMER DRAWING / KUNDENZEICHNUNG		SCALE MASSTAB 1:1 SHEET BLATT 1 von 1 REV D8		