

4

3

2

1

THIS DRAWING IS UNPUBLISHED.  
VERTRÄULICHE UNVERÖFFENTLICHTE ZEICHNUNG

RELEASED FOR PUBLICATION  
FREI FUER VERÖFFENTLICHUNG  
1998

MATED WITH:  
PASSEND ZU:

REVISIONS  
ÄNDERUNGEN

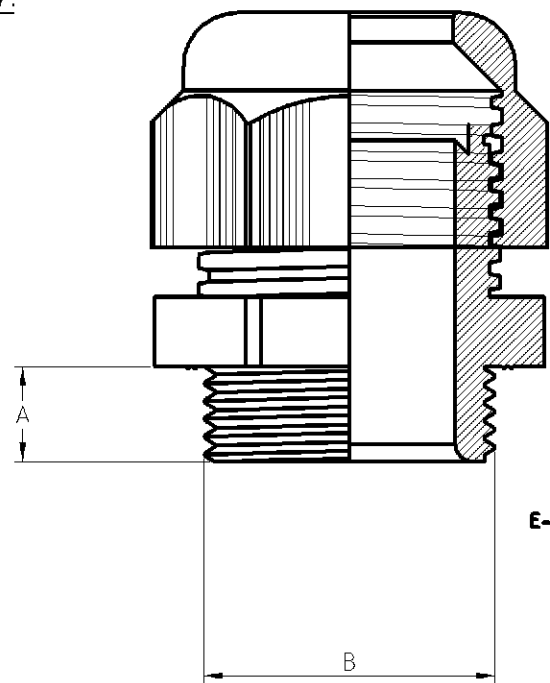
© COPYRIGHT 1998

BY AMP INCORPORATED. ALL RIGHTS RESERVED.  
ALLE RECHTE VORBEHALTEN

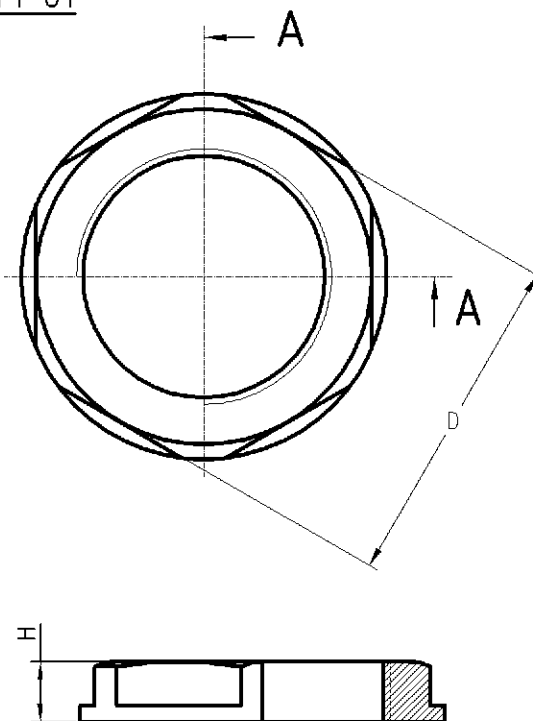
LOC	DIST	P	LTR	DESCRIPTION BESCHREIBUNG	DATE	DWN	APVD	
A1	-							
PROJEKT NR.:				A1	new parts / new drawing	28.06.2005	AR	ST

Gland and Cap  
Assembly.

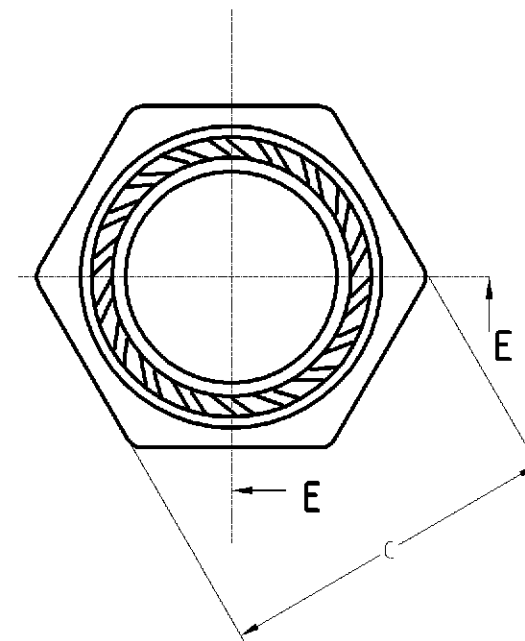
Lock Nut.  
(Supplied as Part of  
Kit)



E-E SECTION



A-A



NOTES:

1 FOR TECHNICAL DATA REFER TO YOUR LOCAL TYCO ELECTRONICS SALES OFFICE.

2 ALL DIMENSIONS ARE NOMINAL FOR REFERENCE ONLY UNLESS OTHERWISE STATED.

3 FOR PACKAGING INFORMATION SEE PACKING SPECIFICATION 107-3287 TABLE ABOVE SHOWS PACKING LABEL DETAILS.

4 1 KIT COMPRISES OF 1 OFF GLAND & CAP (AS SHOWN) INCLUDING NEOPRENE SEAL PLUS 1 LOCK NUT (AS SHOWN SEPARATELY)

1	-	-	-	DESCRIPTION	CABLE RANGE (mm)	10	16	22	22	5	BLACK	1200	4
-	1	-	-	CABLE GLAND KIT	CABLE RANGE (mm)	13	47	53	60	8	BLACK	100	3
-	-	1	-	CABLE GLAND KIT	CABLE RANGE (mm)	11	29	33	36	7	BLACK	375	2
-	-	-	1	CABLE GLAND KIT	CABLE RANGE (mm)	10	23	27	30	6	BLACK	500	1

0-70-50-30-1	DESCRIPTION	PACKING LABEL	DIMENSION A	DIMENSION B	DIMENSION C	DIMENSION D	DIMENSION H	COLOR	PACKING UNIT	ITEM NO. POS.						
HUT.M16.P-GM	HUT.PG.36.P-GM	HUT.PG.21.P-GM	HUT.PG.16.P-GM	<p>THIS DRAWING IS A CONTROLLED DOCUMENT FOR AMP INCORPORATED. IT IS SUBJECT TO CHANGE AND THE CONTROLLING ENGINEERING ORGANIZATION SHOULD BE CONTACTED FOR THE LATEST REVISION. DIESES ZEICHNUNGSDOKUMENT WIRD DURCH AMP INCORPORATED KONTROLLIERT. ÄNDERUNGEN, DIE DEM TECHNISCHEN FORTSCHRITT DIENEN, SIND VORBEHALTEN. DEN JEWELN LETZTGUELTIGEN ÄNDERUNGSSTAND ERFAHREN SIE AUF ANFRAGE.</p> <p>DIMENSIONS: DIMENSIONEN: mm</p> <p>TOLERANCES UNLESS OTHERWISE SPECIFIED: ALLGEMEINTOLERANZEN</p> <p>n. ISO 8015 n. ISO 2768 - mH - E n. DIN 16901 - 14.0</p> <p>0 PLC # 1 PLC # 2 PLC # 3 PLC #</p> <p>ANGLES /WINKEL # FINISH /OBERFLÄCHE/FARBE</p>		DWN Rösigen 28.06.2005	CHK Schnurpfeil 28.06.2005	APVD -	PRODUCT SPEC PRODUKTSPEZ. -	APPLICATION SPEC VERARBEITUNGSSPEZ. -	WEIGHT GEWICHT -	CUSTOMER DRAWING /KUNDENZEICHNUNG	SCALE MASSSTAB	SHEET BLATT	OF VON	REV. A1
ORDERING TEXT			<p>NAME</p> <p>Cable Gland with lock nut Hutverschraubung mit Gegenmutter</p>		SIZE A3	CAGE CODE 00779	DRAWING NO. ZEICHNUNGS-NR. C-1103138	RESTRICTED TO NUR FUER								