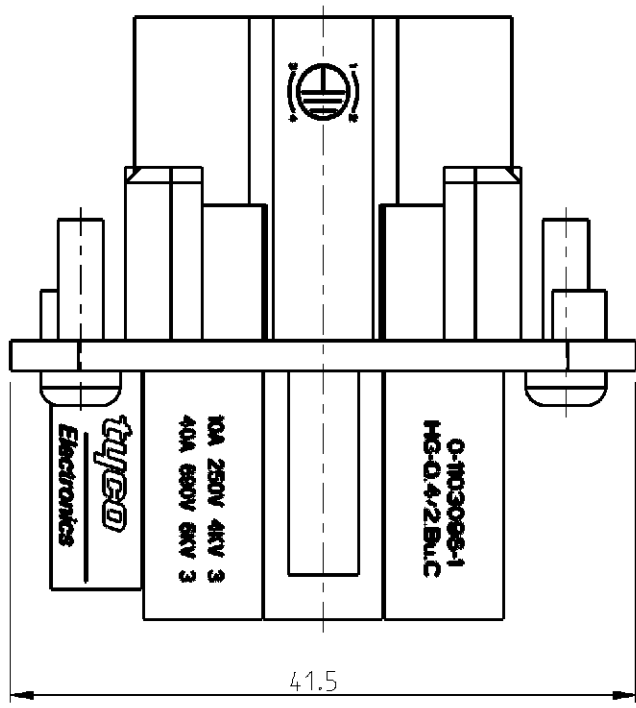


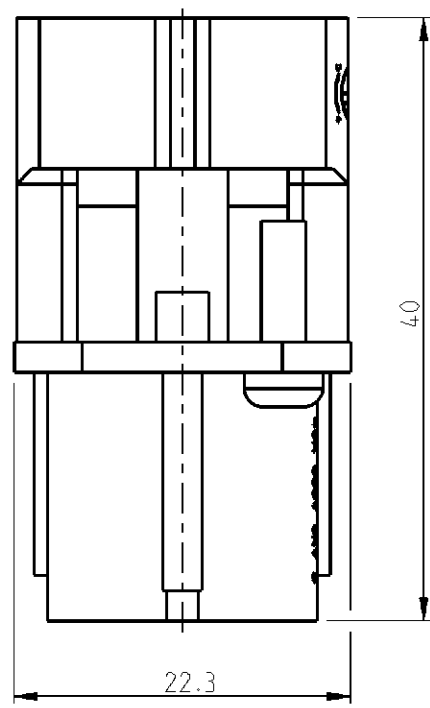
THIS DRAWING IS UNPUBLISHED. RELEASED FOR PUBLICATION

© COPYRIGHT BY TYCO ELECTRONICS CORPORATION. ALL RIGHTS RESERVED.

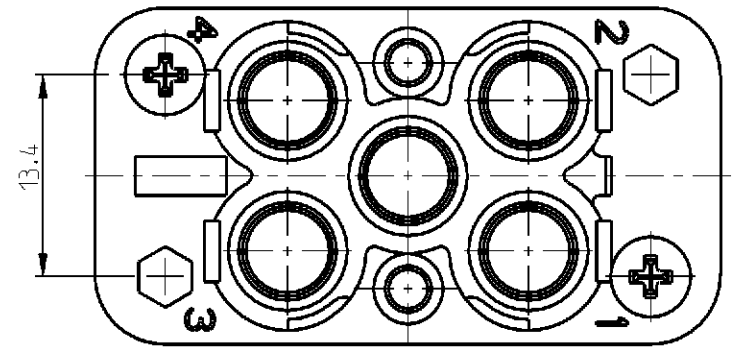
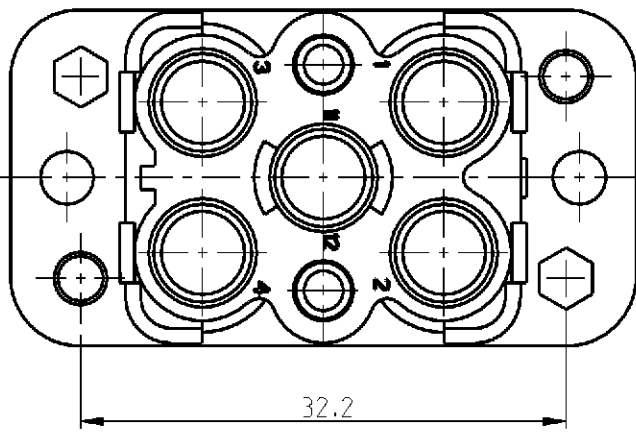
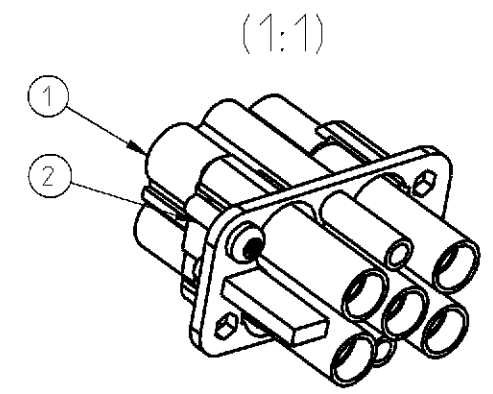
LOC	DIST	REVISIONS					
		P	LTR	DESCRIPTION	DATE	DWN	APVD
A1	-	C1		RELEASED AS PER ECR-07-005630	13-Mar-07	PKP	ST



CONTACT ARRANGEMENT VIEW FROM TERMINATION SIDE



CONTACT ARRANGEMENT VIEW FROM CONNECTING SIDE



NOTES

- 1 POWER CONTACT: 1 TO 4  
SUITABLE CRIMP CONTACTS: SERIES HSK  
CUSTOMER DRAWING NO :1108756  
OUTER DIMENSIONS OF INSULATOR:MAX Ø8 MM
- 2 SIGNAL CONTACT: 11 AND 12  
SUITABLE CRIMP CONTACTS: SERIES HN.D  
CUSTOMER DRAWING NO :1105051  
OUTER DIMENSIONS OF INSULATOR:MAX Ø3.8 MM
- 3 GROUNDING CONTACT  
SUITABLE CRIMP CONTACTS: SERIES HSK  
CUSTOMER DRAWING NO :1108756  
OUTER DIMENSIONS OF INSULATOR:MAX Ø8 MM
- 4 SUITABLE HOOD:SERIES HG-Q
- 5 NORM ACCOR: DIN EN 61984;DIN EN 60664-1
- 6 PACKAGING:  
10 PIECES IN A BOX

QTY.	DESCRIPTION	MATERIAL	SURFACE	COLOR	NOTE	ITEM
2	SCREW 3X10	STEEL	ZINC PLATED	BLUE	FOR PLASTICS	2
1	FEMALE INSERT	PBT-GF25	-	LIGHT-GREY	-	1

PARTS LIST

THIS DRAWING IS A CONTROLLED DOCUMENT FOR TYCO ELECTRONICS CORPORATION IT IS SUBJECT TO CHANGE AND THE CONTROLLING ENGINEERING ORGANISATION SHOULD BE CONTACTED FOR THE LATEST REVISION.		DWN 21.02.2005 M.Schweiger		Tyco Electronics AMP GmbH D-53819 Neunkirchen, Germany	
DIMENSIONS: mm		TOLERANCES UNLESS OTHERWISE SPECIFIED: #150 80% #150 2500-100-E #DIN 15001-100		NAME FEMALE INSERT HG-Q.4/2.BU.C	
		0 PLC ± 1 PLC ± 2 PLC ± 3 PLC ± 4 PLC ± ANGLES ±-		PRODUCT SPEC 108-74053 APPLICATION SPEC 114-74055	
MATERIAL		FINISH		WEIGHT 0.012KG SIZE A3 CAGE CODE 00779 DRAWING NO C-1103096 RESTRICTED TO	
CUSTOMER DRAWING				SCALE 2:1 SHEET 1 OF 1 REV C1	