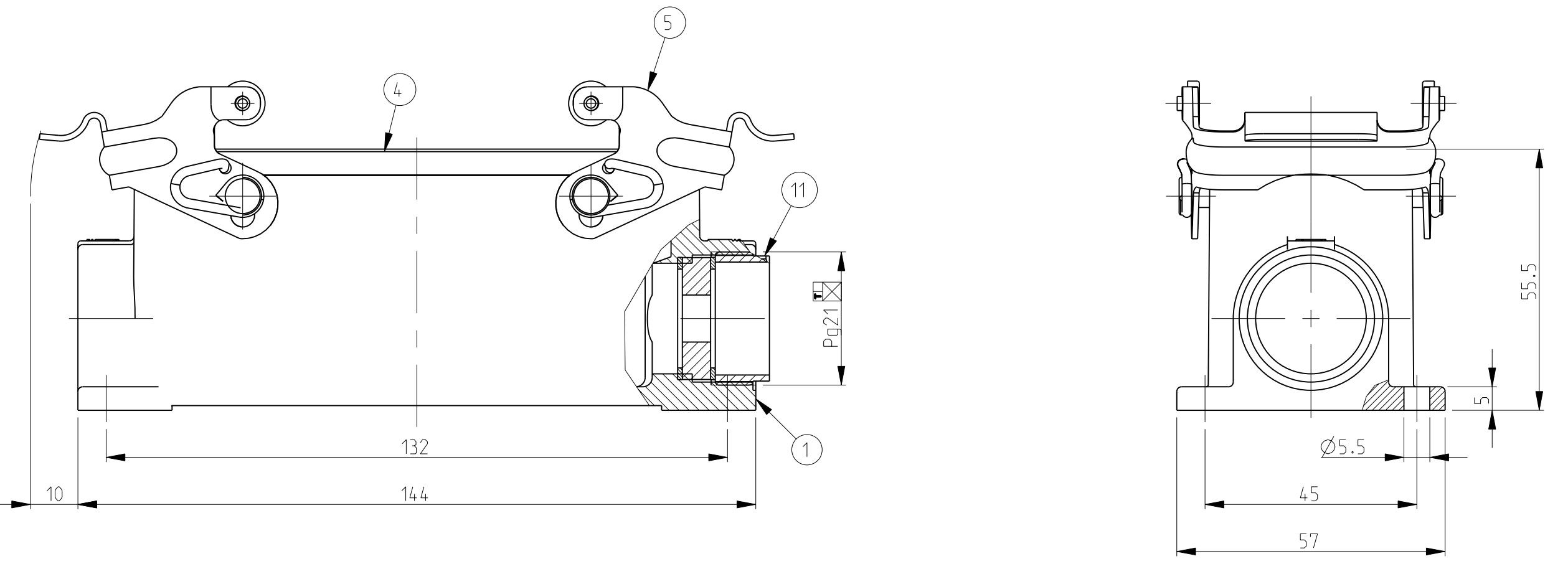
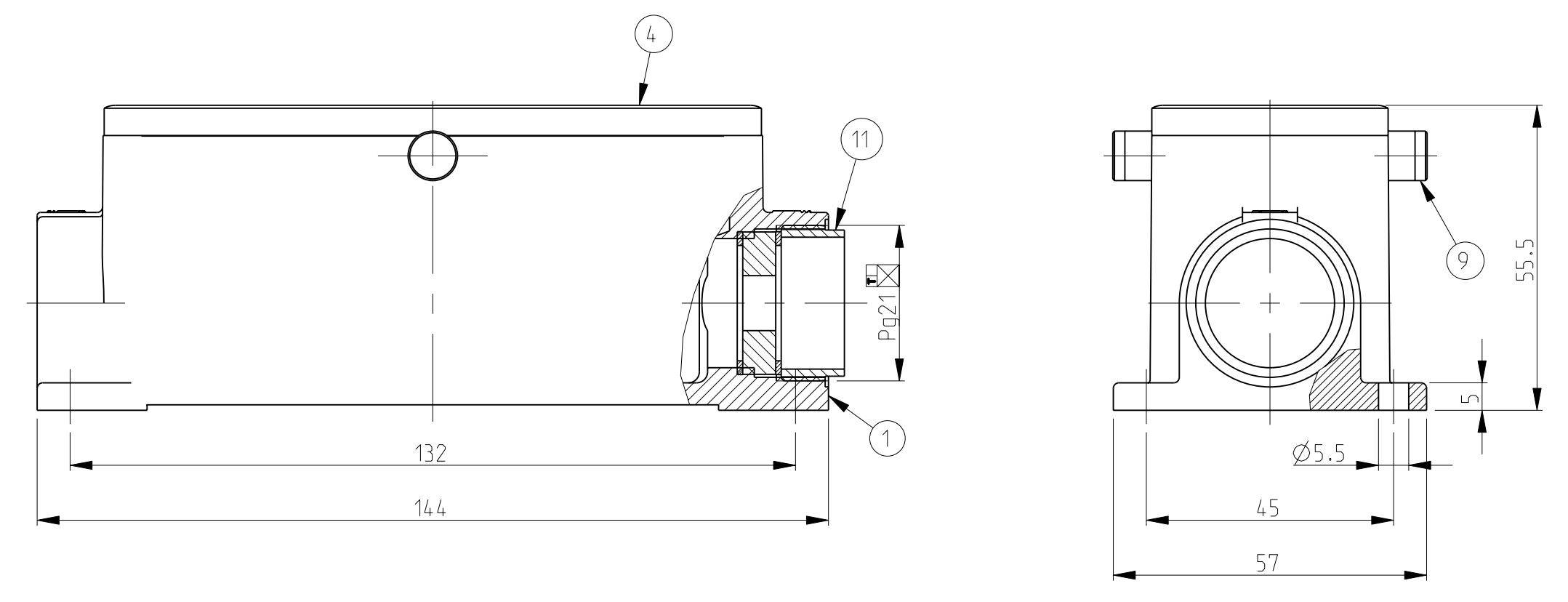


LOC	DIST	REVISIONS					
		P	LN	DESCRIPTION	DATE	BY	APPD
A1	-	A5		REVISED PER ECO-09-027197	17DEC2009	KK	AEG
		A6		ECR-17-013084	29MAR18	SG	MKO

PN 1-1

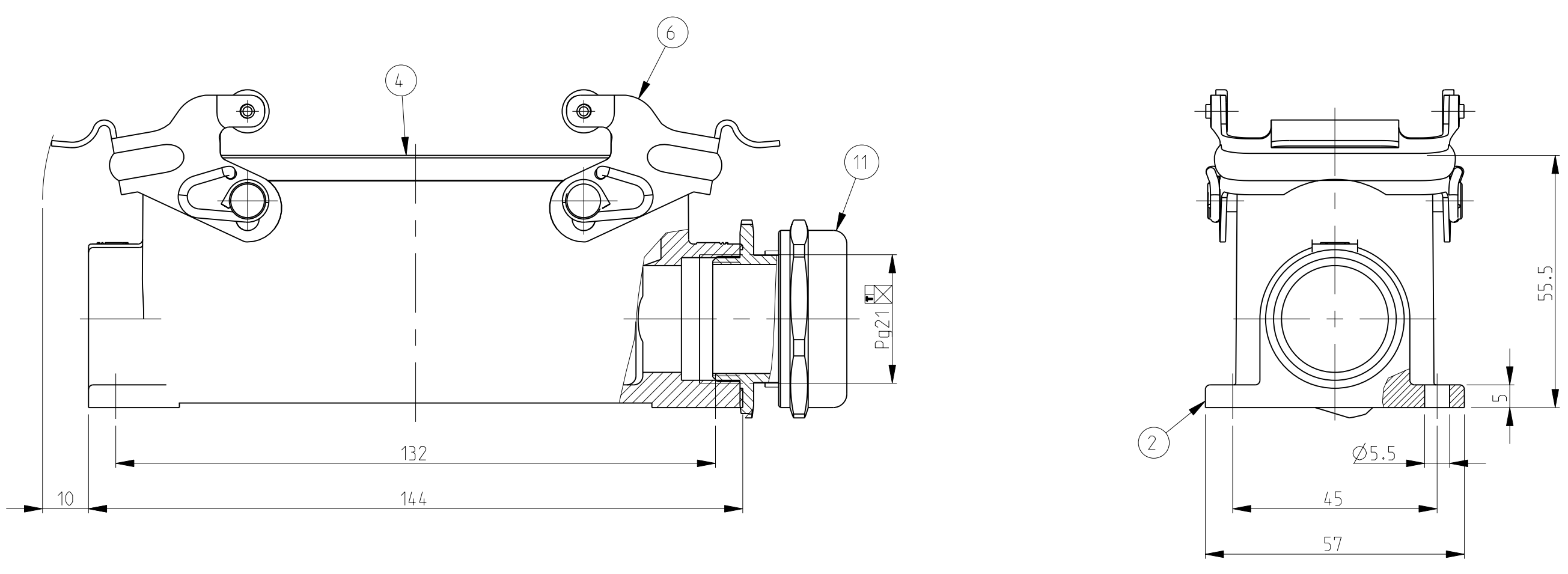


PN 1-0

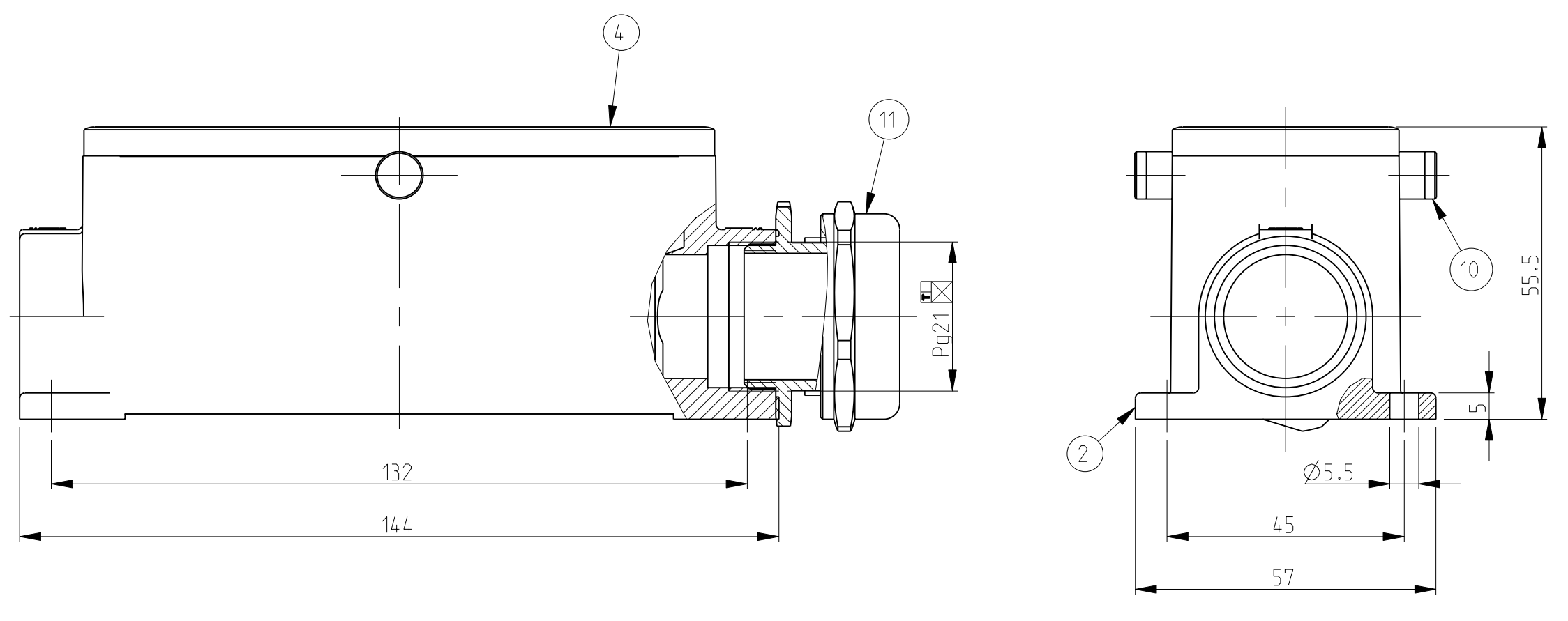


- NOTES.
- 1 Material:Housing:Aluminium Diecasting Alloy
Seals:Neoprene
 - 2 Surface:Varnish grey
- Aluminium Oxide -Varnish Black
 - 3 Packaging
Quantity 5 Pieces in a box
- ⚠ OBSOLETE PARTS: OBSOLETE C IS STREAMLINING PER D.RENAUD/D.SINISI

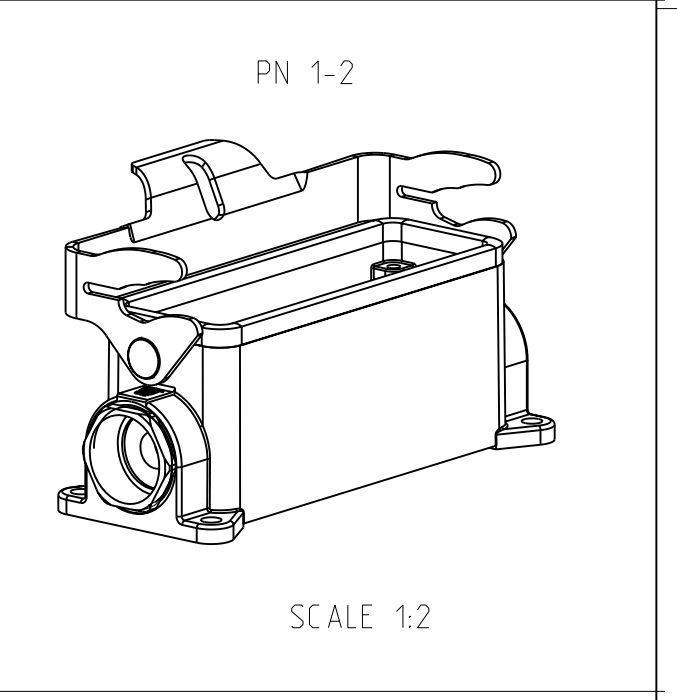
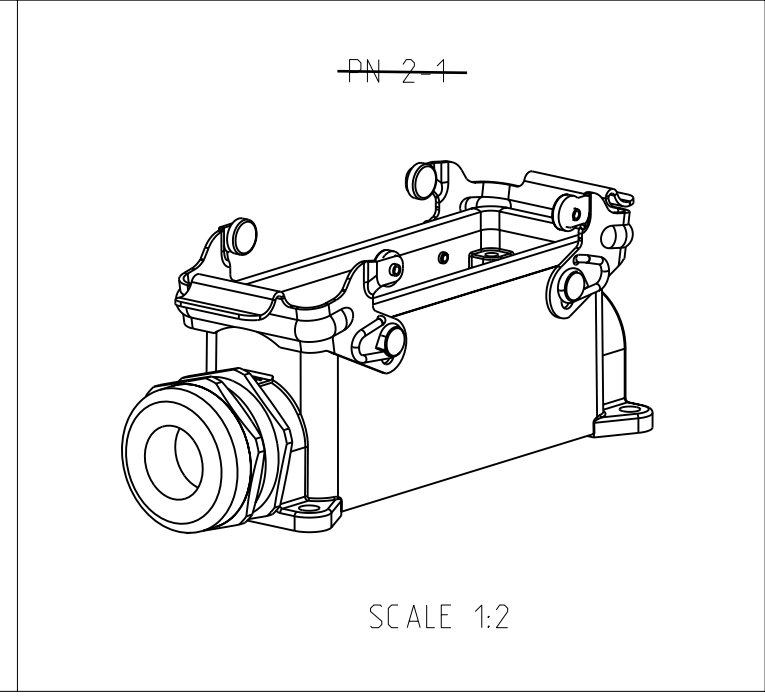
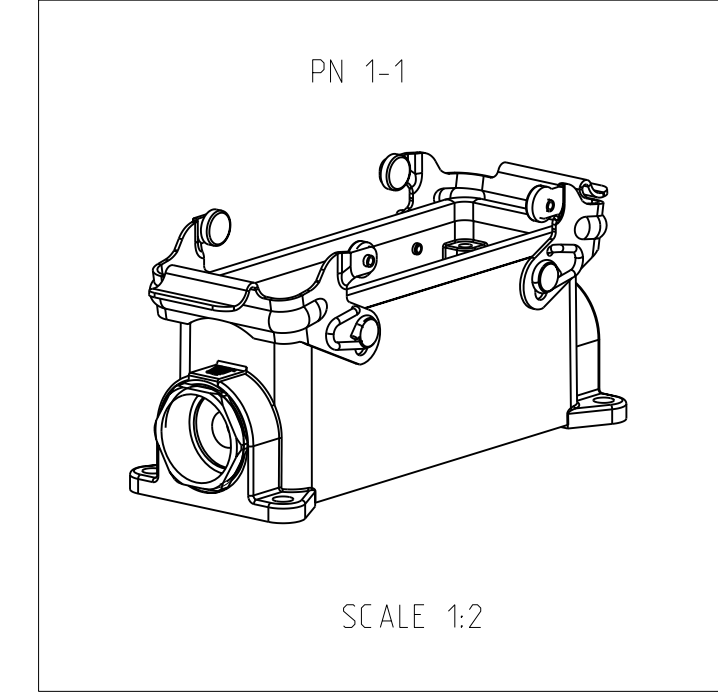
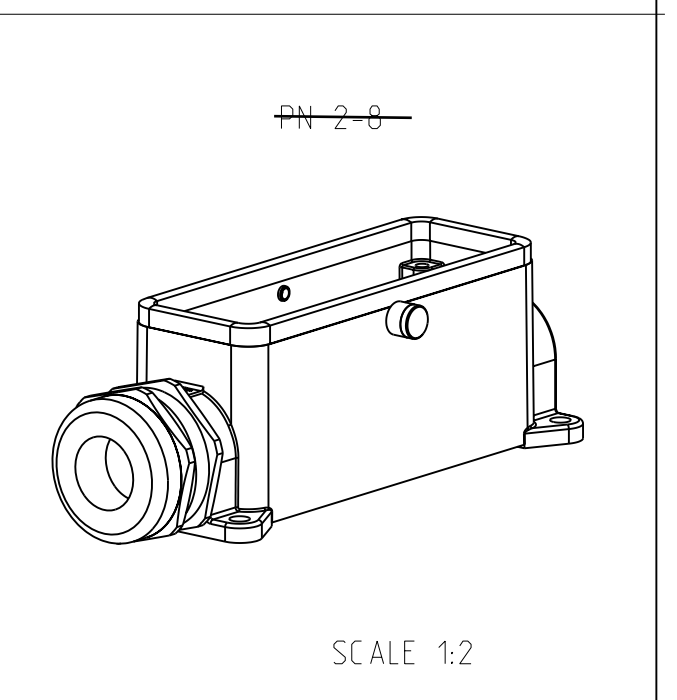
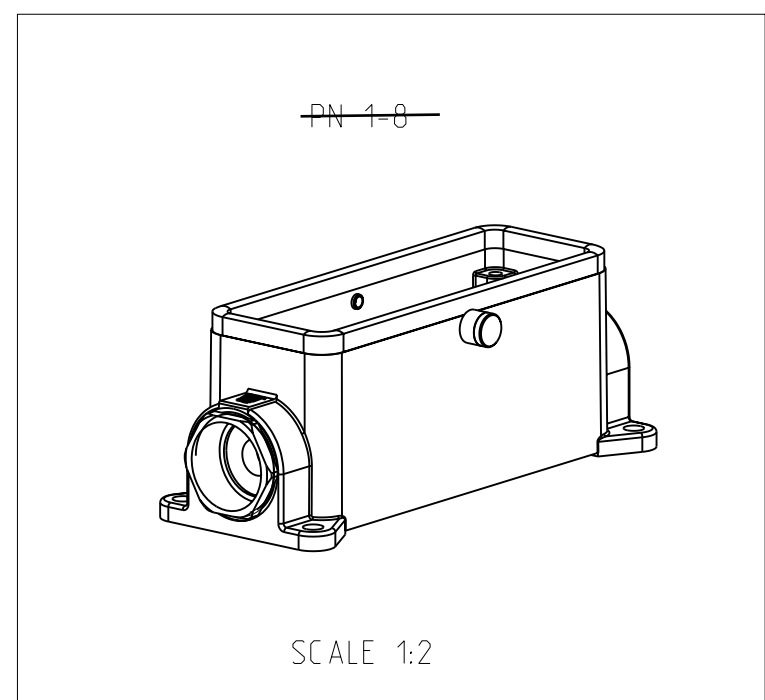
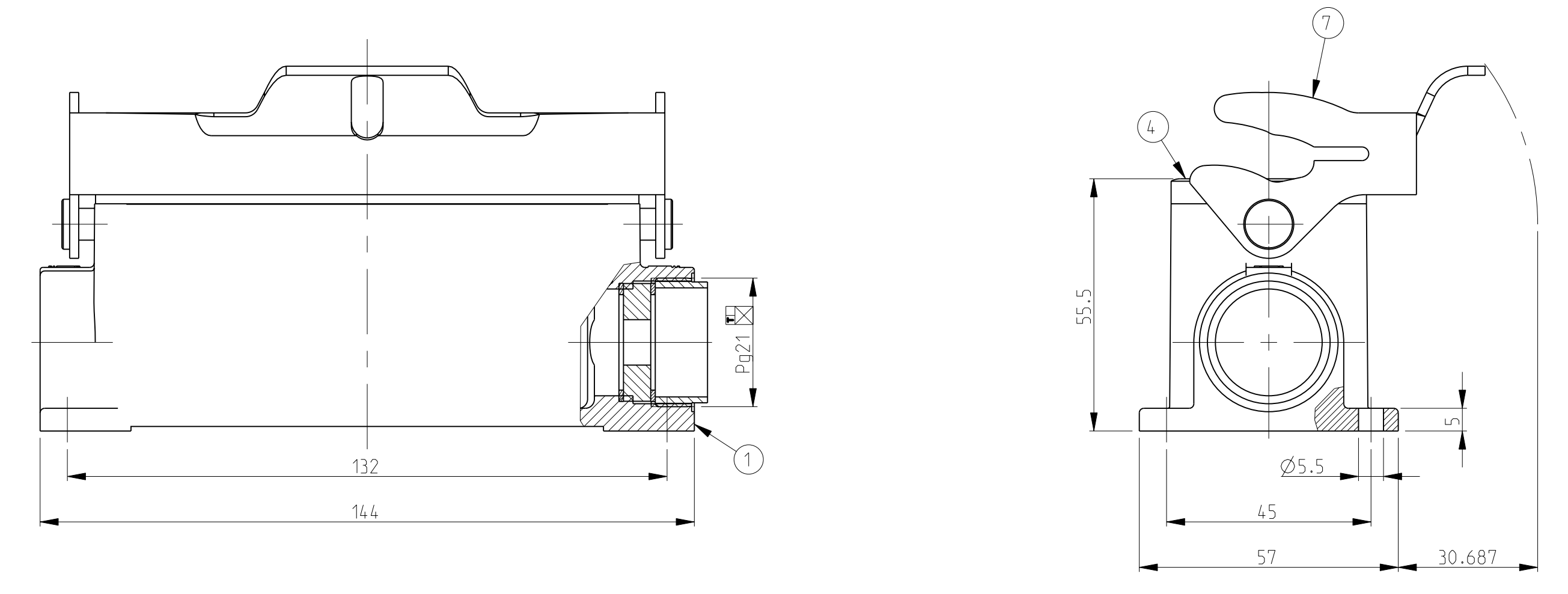
PN 2-1



PN 2-0



PN 1-2



QTY	DESCRIPTION	MATERIAL	SURFACE	COLOR	ITEM NO	NOTES
1	SEALING PLUG	Brass	Nickel plated		12	BS.21.MS
1	Cable fitting screw	Brass	Nickel plated		11	DS.21.D1
2	ZB-Clip bolt	Stainless steel			10	
2	ZB-Clip bolt	Steel	Zinc plated		9	
1	LB-Side clip	Stainless steel			8	
1	LB-Side clip	Steel	Zinc plated		7	
1	VS-Locking clip	Stainless steel			6	
1	VS-Locking clip	Steel	Zinc plated		5	
1	Profile seal	Neoprene		Black	4	
1	Surface mounted housing side entry HB B08	Aluminium		Grey	3	
1	Surface mounted housing side entry HB B08	Aluminium	Aluminium oxide	Black	2	
1	Surface mounted housing side entry HB B08	Aluminium		Grey	1	

ORDERING TEXT

HB-24-SG-VS-1.21
 HB-24-SG-VS-1.21
 HB-24-SG-LB-1.21
 HB-K-24-SG-LB-1.21
 HB-2-24-SG-ZV60-1.21
 HB-K-2-24-SG-ZV60-1.21
 HB-24-SG-LB-1.21-G-Ø34-B-S0

TE Connectivity

Surface mounted housing side entry
HB.24.1.21

SCALE 1:1 SHEET 1 OF 1 REV A6