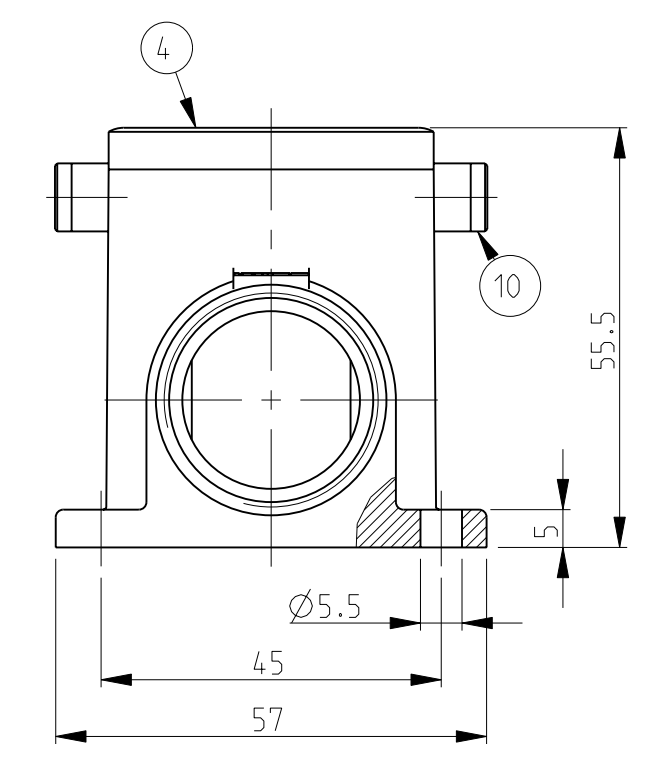
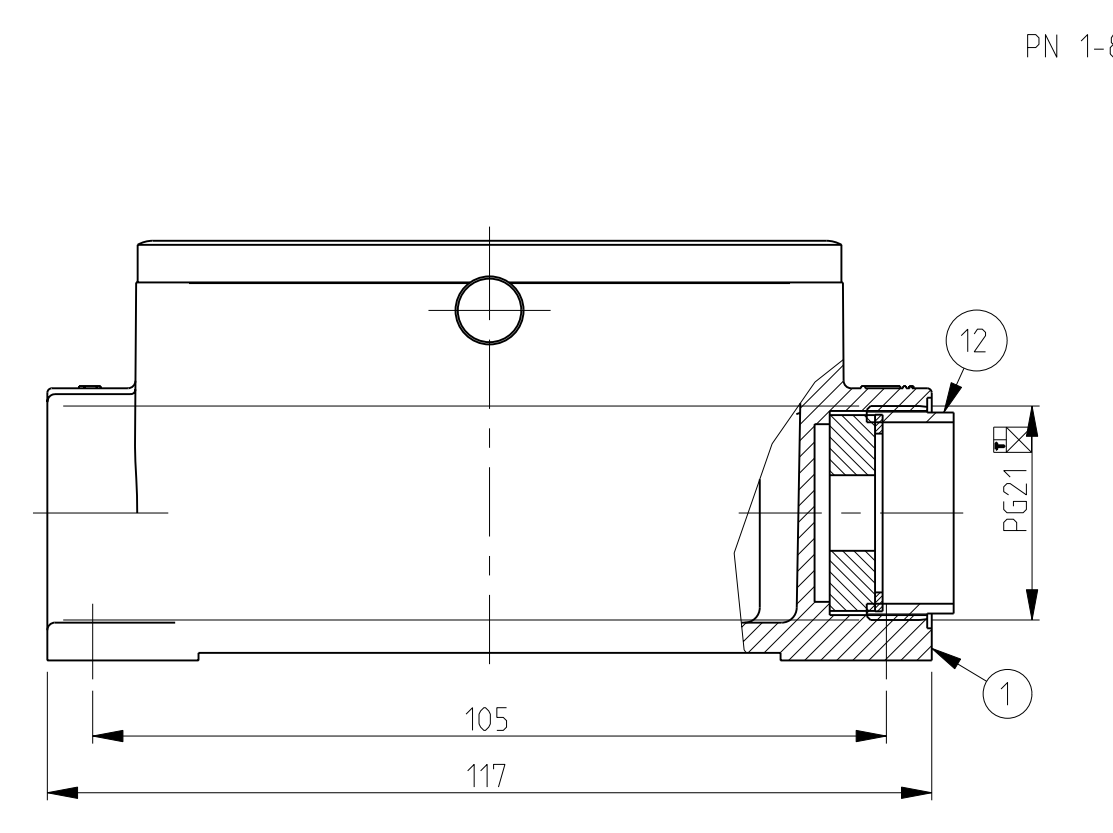
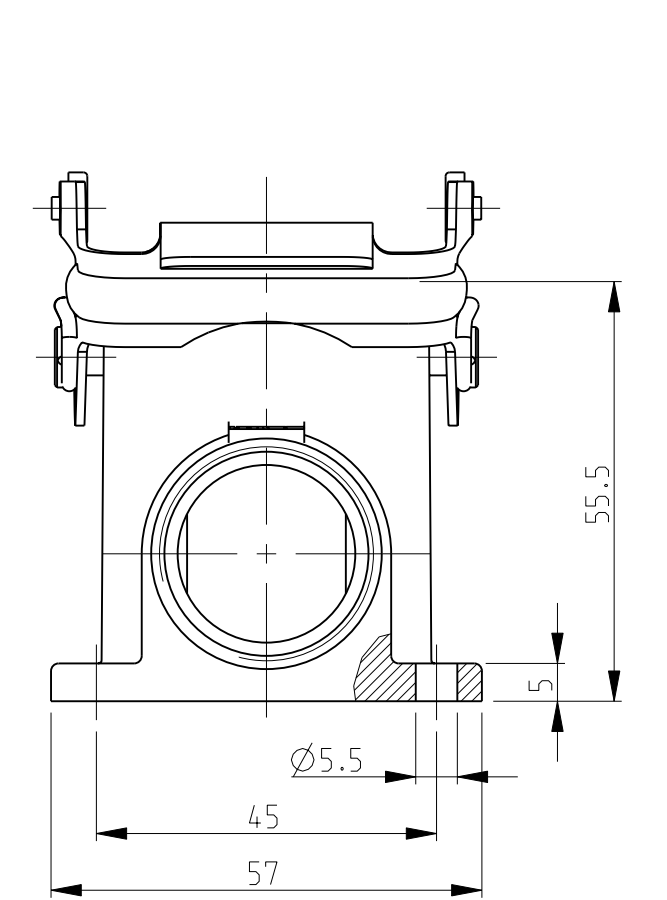
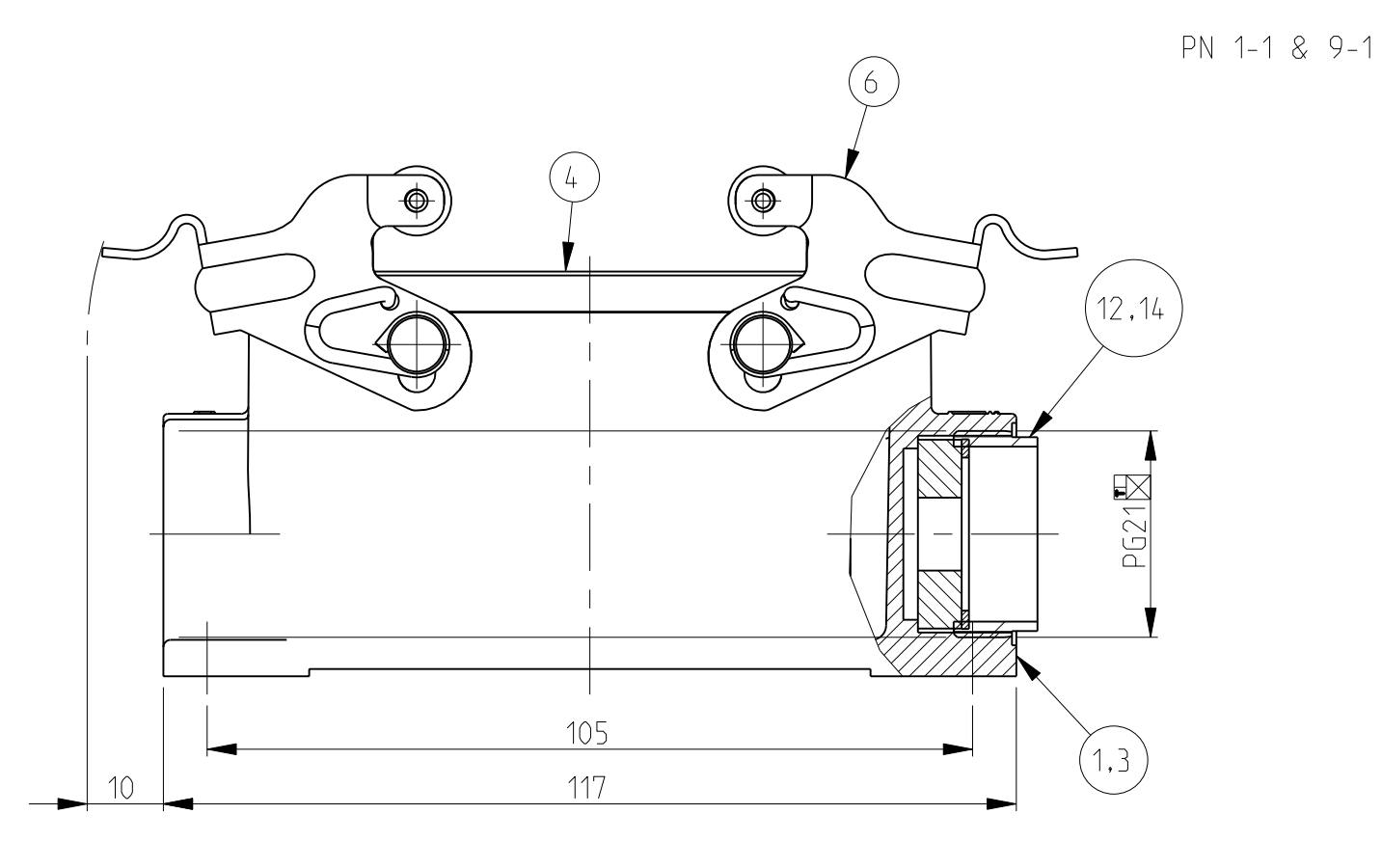
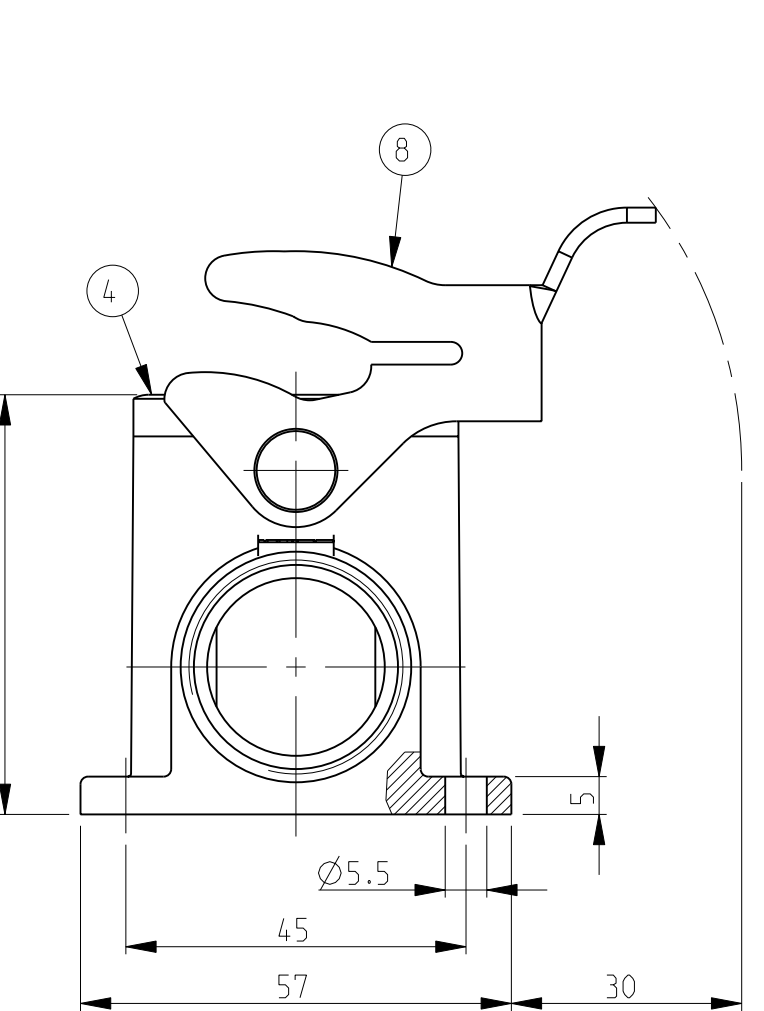
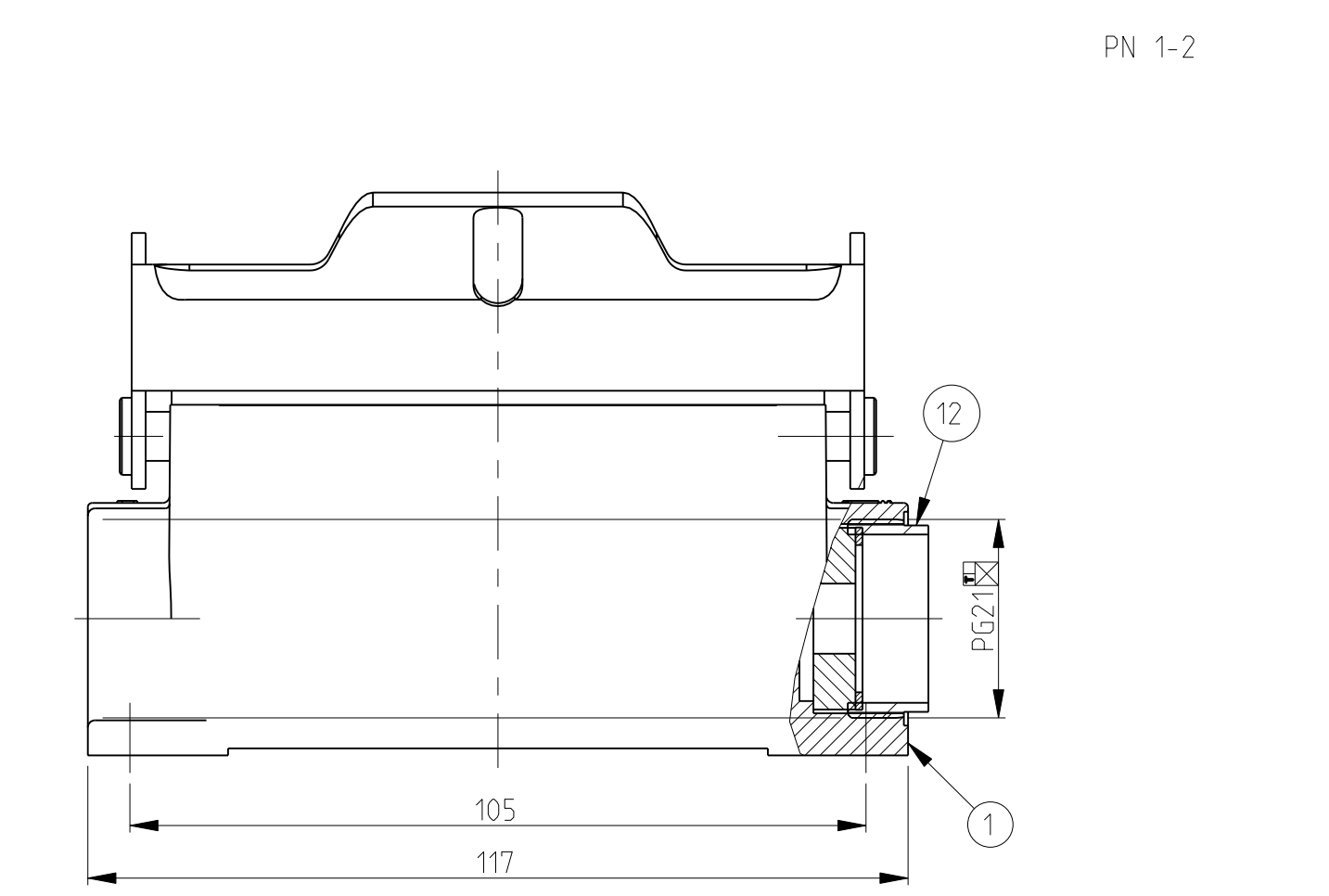
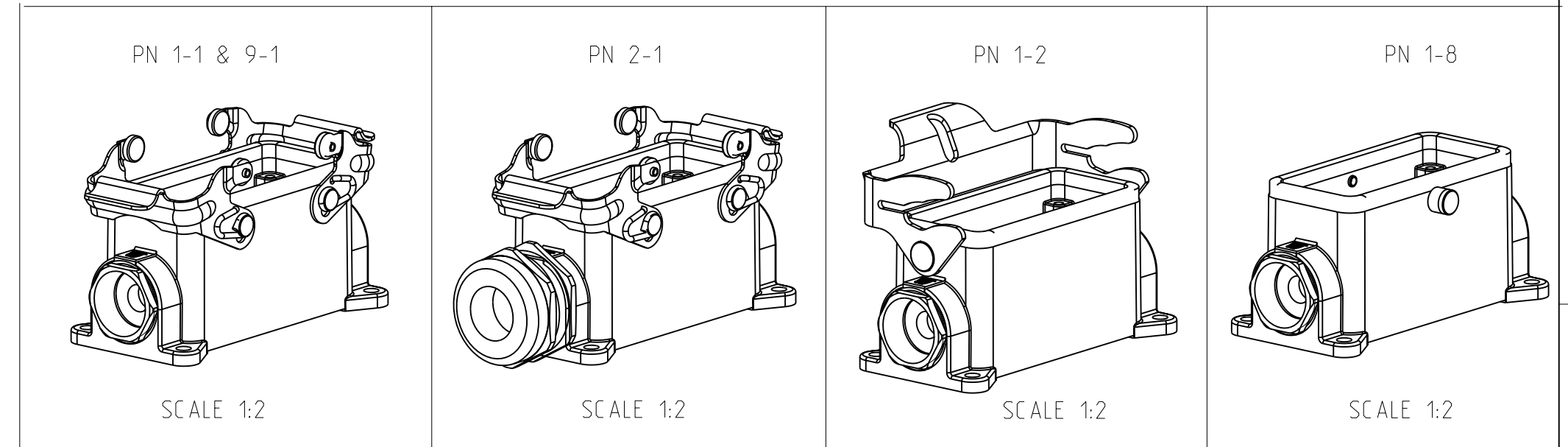
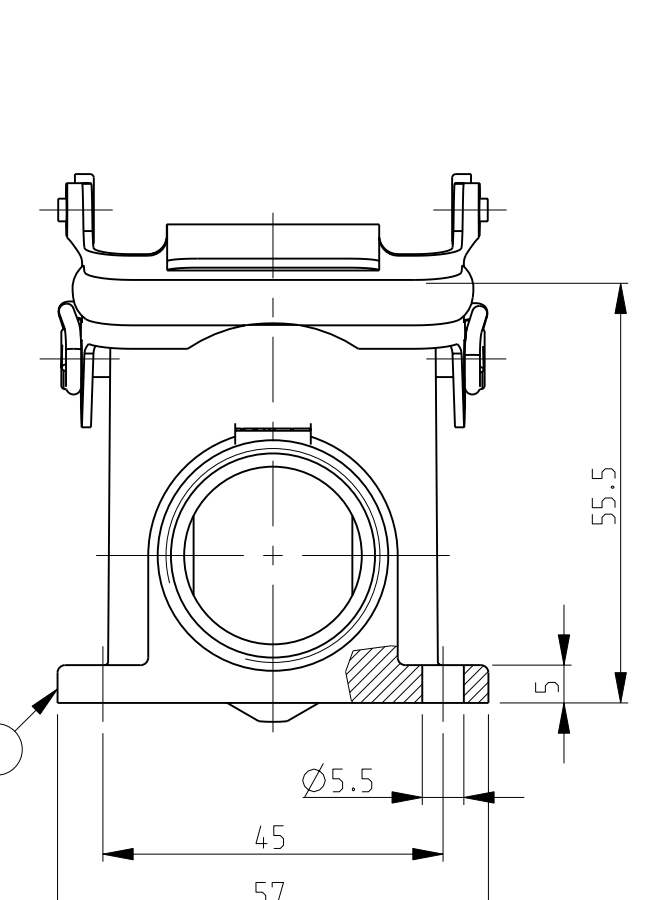
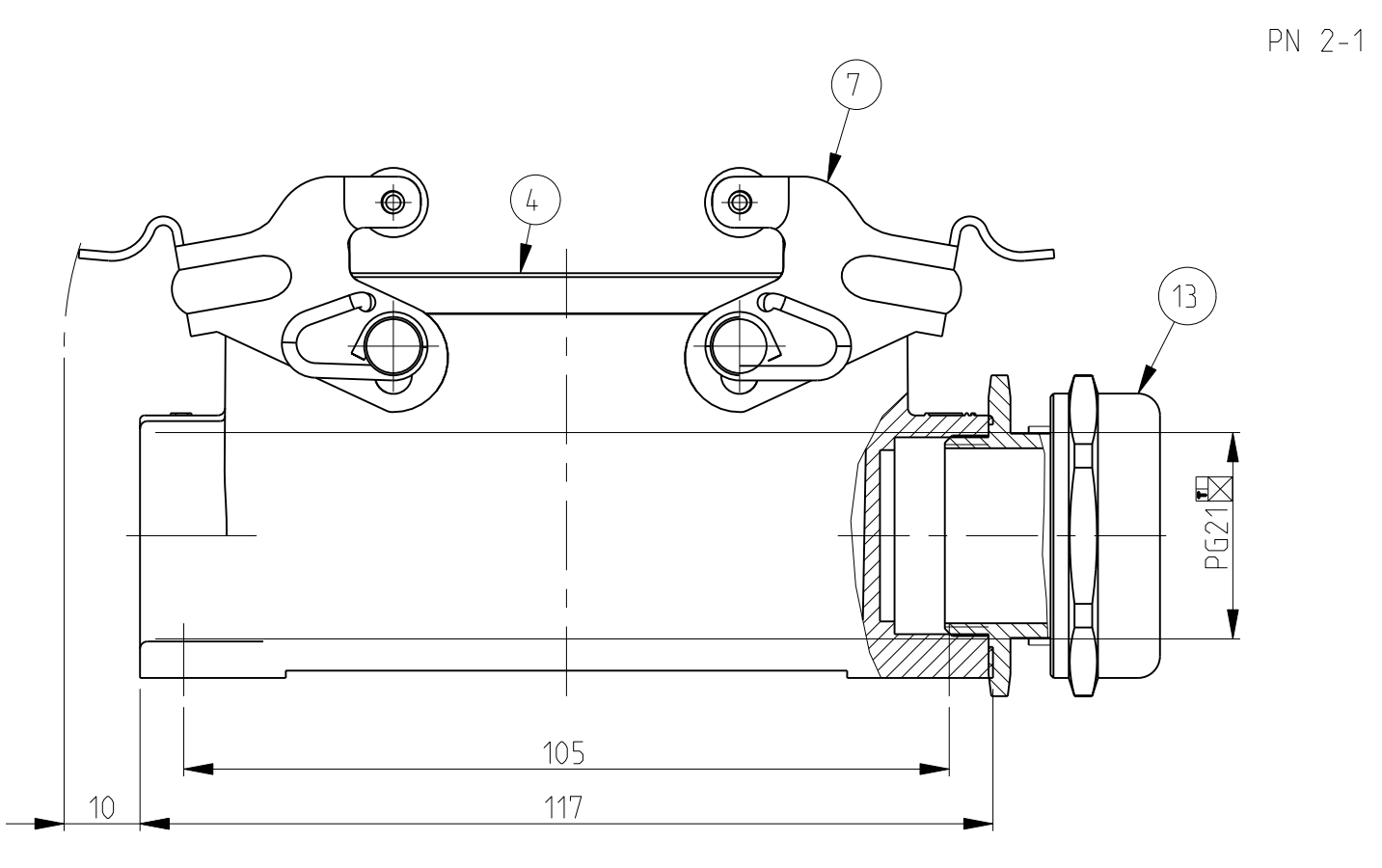


LOC	DIST	REVISIONS			
P	LTB	DESCRIPTION	DATE	DWN	APVD
A5	ECR-16-016768		15NOV2017	GR	MKO



- NOTES.
- Material:Housing:Aluminium Diecasting Alloy
Seals:Neoprene
 - Surface:Varnish grey
-Aluminium Oxide +Varnish Black
 - Varnish on the inside not necessary
 - Packaging
Quantity 5 Pieces in a box
 - OBsolete PARTS: OBSOLETE CIS STREAMLINING PER D.RENAUD/D.SINISI



QTY	ITEM NO	DESCRIPTION	MATERIAL	SURFACE	COLOR	REMARKS	
1	1	DS-Cable fitting Pg21	Brass	Nickel plated		14 Sealing with viton	
1	1	Hut-Gland Fitting Pg21	Brass	Nickel plated		13	
1	1	DS-Cable fitting Pg21	Brass	Nickel plated		12	
1	2	ZB-Clip Positioner	Stainless steel			11	
1	2	ZB-Clip Positioner	Steel	Zinc plated		10	
1	1	LB-Side Clip	Stainless steel			9	
1	1	LB-Side Clip	Steel	Zinc plated		8	
1	2	VS-Locking Clip	Stainless steel			7	
1	2	VS-Locking Clip	Steel	Zinc plated		6	
1	1	Profile seal	Viton		Grey	5	
1	1	Profile seal	Neoprene		Black	4	
1	1	Surface mounted housing side entry HB.16.Pg.1.21	Aluminium		Without varnish	3	
1	1	Surface mounted housing side entry HB.16.Pg.1.21	Aluminium	Aluminium oxide	Black RAL 9005	2	
1	1	Surface mounted housing side entry HB.16.Pg.1.21	Aluminium		Grey RAL 7001	1	
9-1	12-8	1-8	2-2	1-2	2-1	1-1	
ORDERING TEXT							
HB.16.SG-VS.1.21							
HB-K.16.SG-VS.4.21							
HB.16.SG-LB.1.21							
HB-K.16.SG-LB.1.21							
HB-Z.16.SG-ZVGR.1.21							
HB-K/Z.16.SG-ZVGR.1.21							
HB.16.SG-VS.1.21-SO							

DWN: Schneider 21.07.1999		Schneider		TE Connectivity																																									
CHK: Schwaiger 21.07.1999		Schwaiger		NAME																																									
DIMENSIONS: mm		TOLERANCES UNLESS OTHERWISE SPECIFIED:		PRODUCT SPEC																																									
<table border="1"> <tr><td>0</td><td>PLC</td><td>±</td></tr> <tr><td>1</td><td>PLC</td><td>±</td></tr> <tr><td>2</td><td>PLC</td><td>±</td></tr> <tr><td>3</td><td>PLC</td><td>±</td></tr> <tr><td>4</td><td>PLC</td><td>±</td></tr> <tr><td>5</td><td>PLC</td><td>±</td></tr> <tr><td>6</td><td>PLC</td><td>±</td></tr> <tr><td>7</td><td>PLC</td><td>±</td></tr> <tr><td>8</td><td>PLC</td><td>±</td></tr> <tr><td>9</td><td>PLC</td><td>±</td></tr> </table>		0	PLC	±	1	PLC	±	2	PLC	±	3	PLC	±	4	PLC	±	5	PLC	±	6	PLC	±	7	PLC	±	8	PLC	±	9	PLC	±	<table border="1"> <tr><td>108-74001.74003</td></tr> <tr><td>114-74001.74004</td></tr> </table>		108-74001.74003	114-74001.74004	<table border="1"> <tr><td>SIZE</td><td>CAGE CODE</td><td>DRAWING NO</td><td>RESTRICTED TO</td></tr> <tr><td>A</td><td>00779</td><td>C=1102298</td><td>-</td></tr> </table>		SIZE	CAGE CODE	DRAWING NO	RESTRICTED TO	A	00779	C=1102298	-
0	PLC	±																																											
1	PLC	±																																											
2	PLC	±																																											
3	PLC	±																																											
4	PLC	±																																											
5	PLC	±																																											
6	PLC	±																																											
7	PLC	±																																											
8	PLC	±																																											
9	PLC	±																																											
108-74001.74003																																													
114-74001.74004																																													
SIZE	CAGE CODE	DRAWING NO	RESTRICTED TO																																										
A	00779	C=1102298	-																																										
MATERIAL: -		FINISH: -		WEIGHT: -																																									
CUSTOMER DRAWING		SCALE: 1:1		SHEET 1 OF 1 REV A5																																									