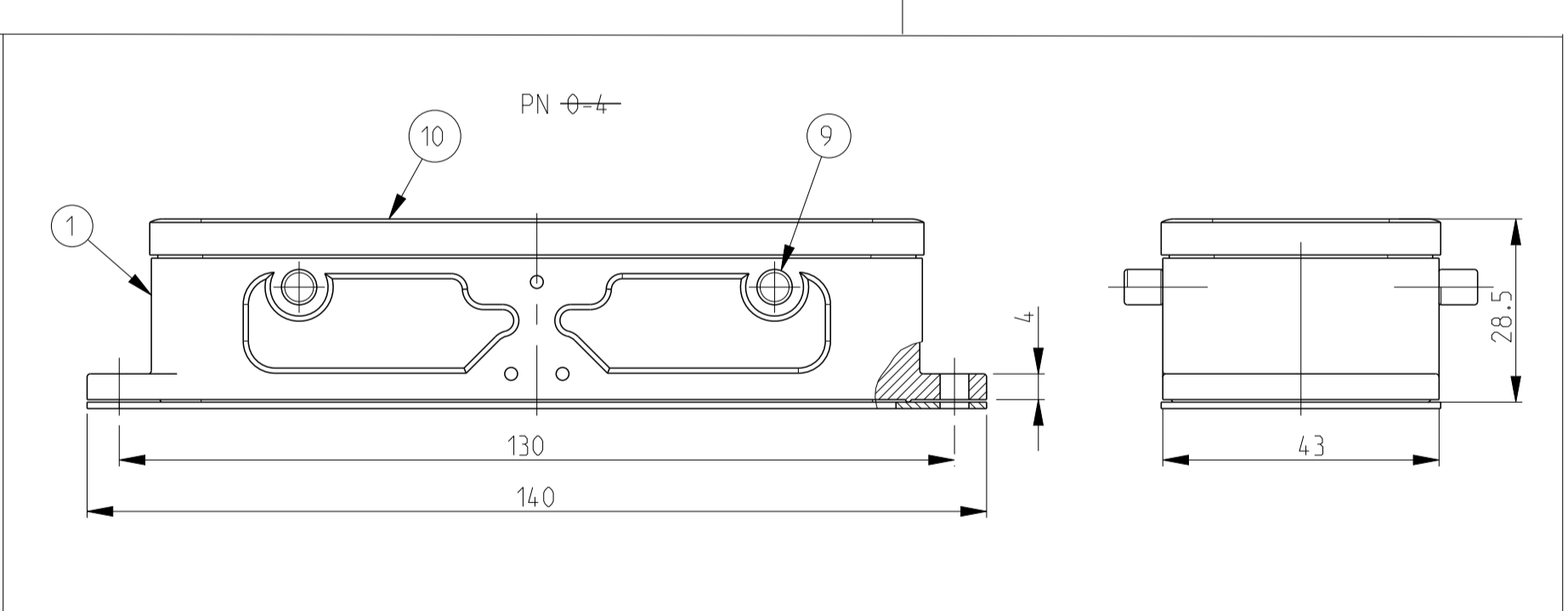
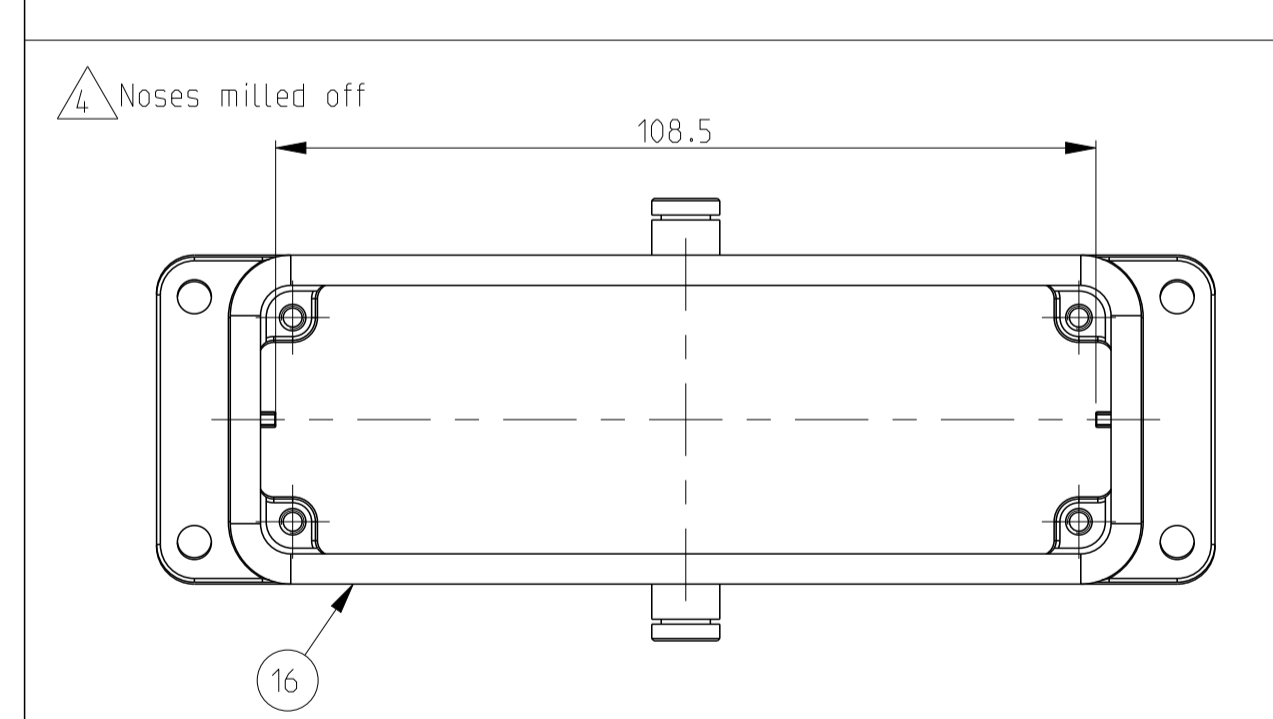
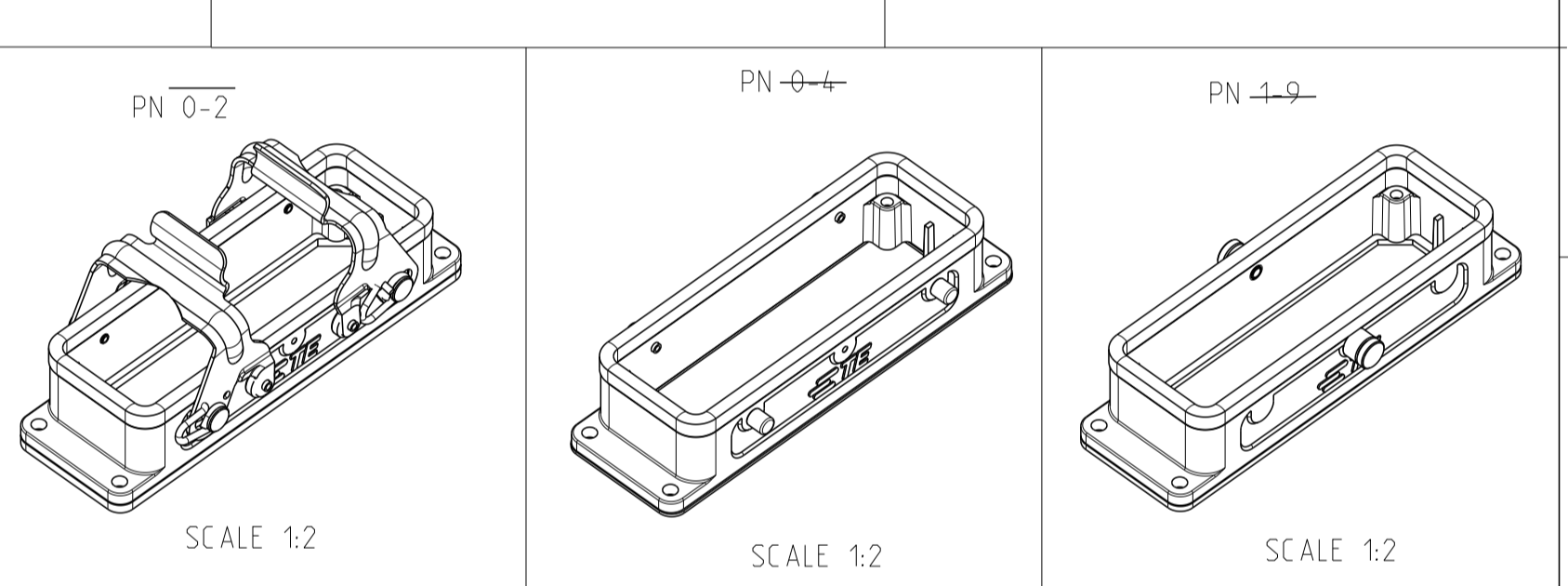
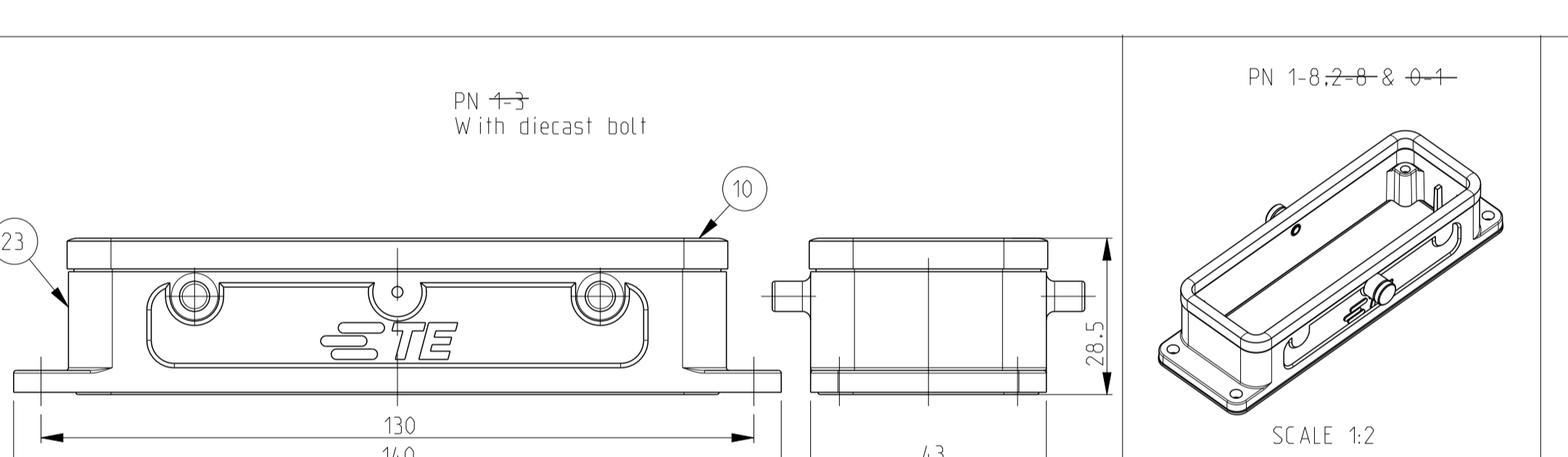
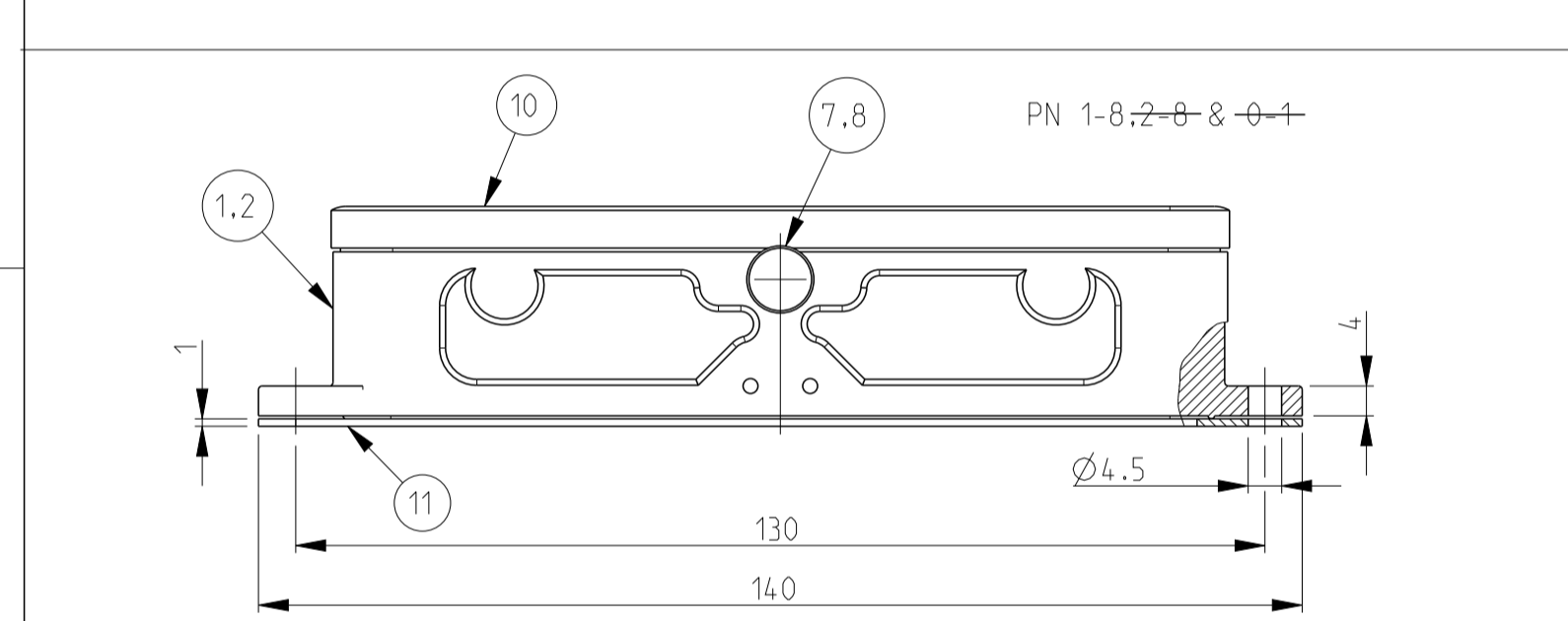
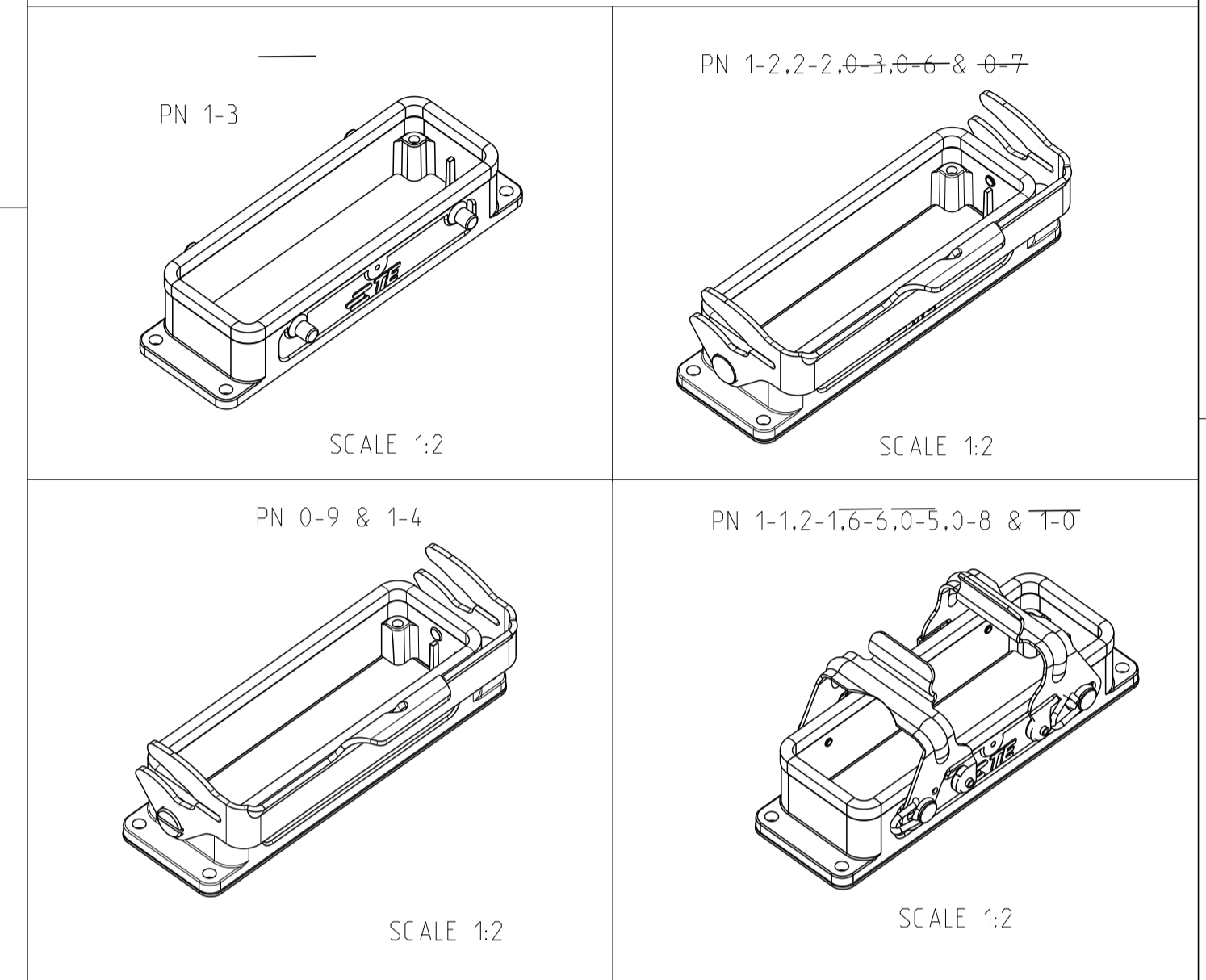
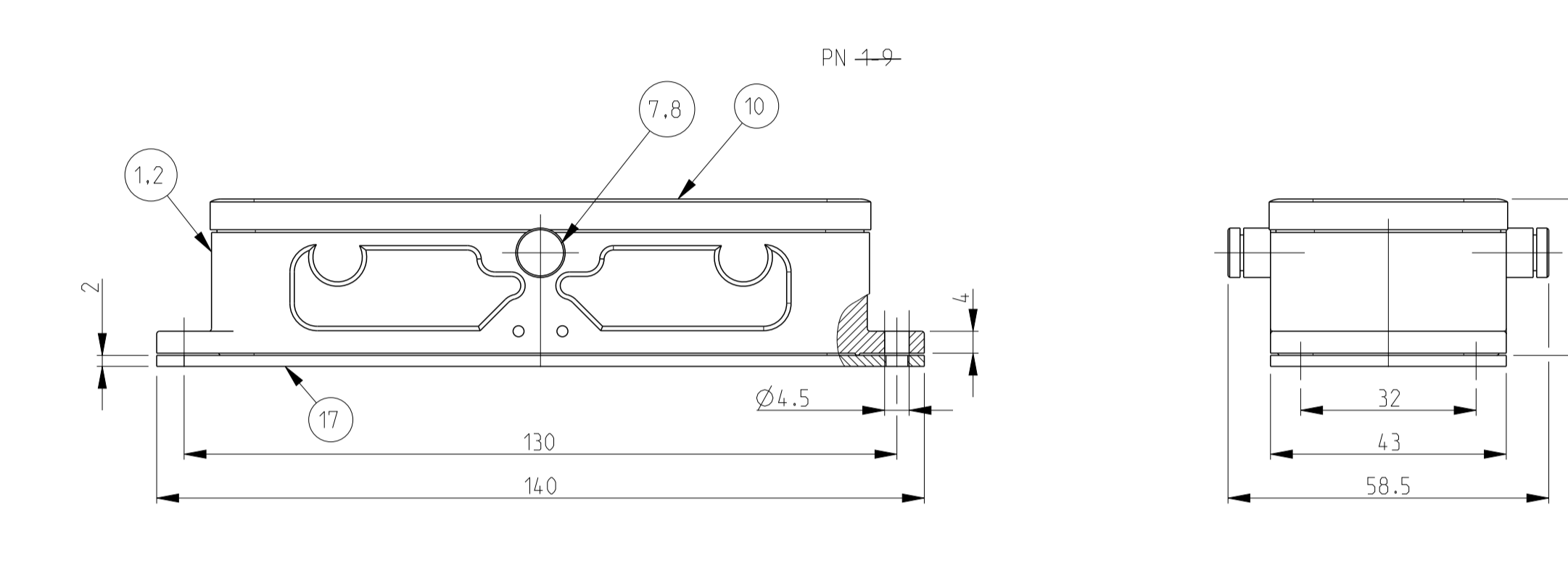
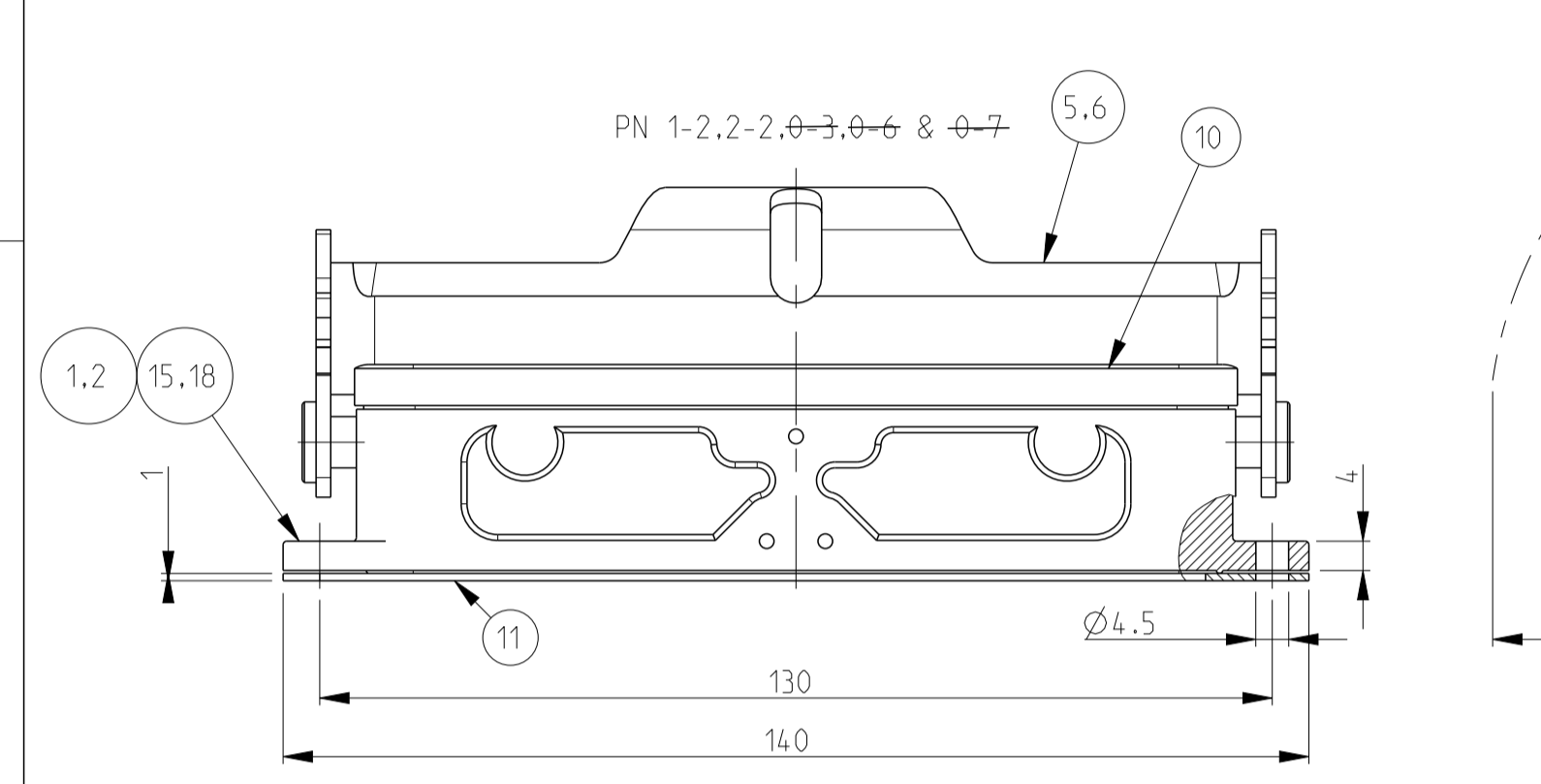


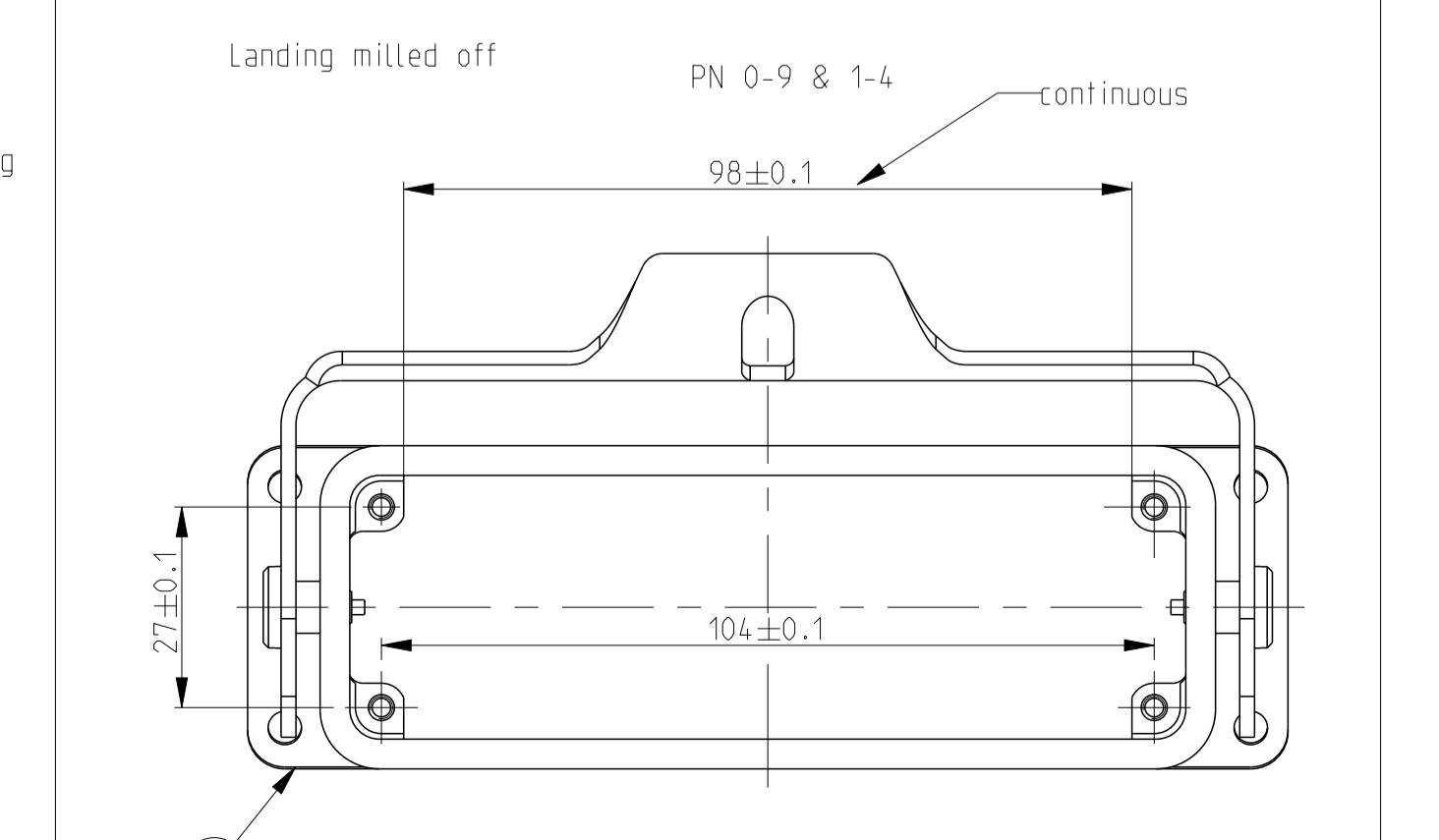
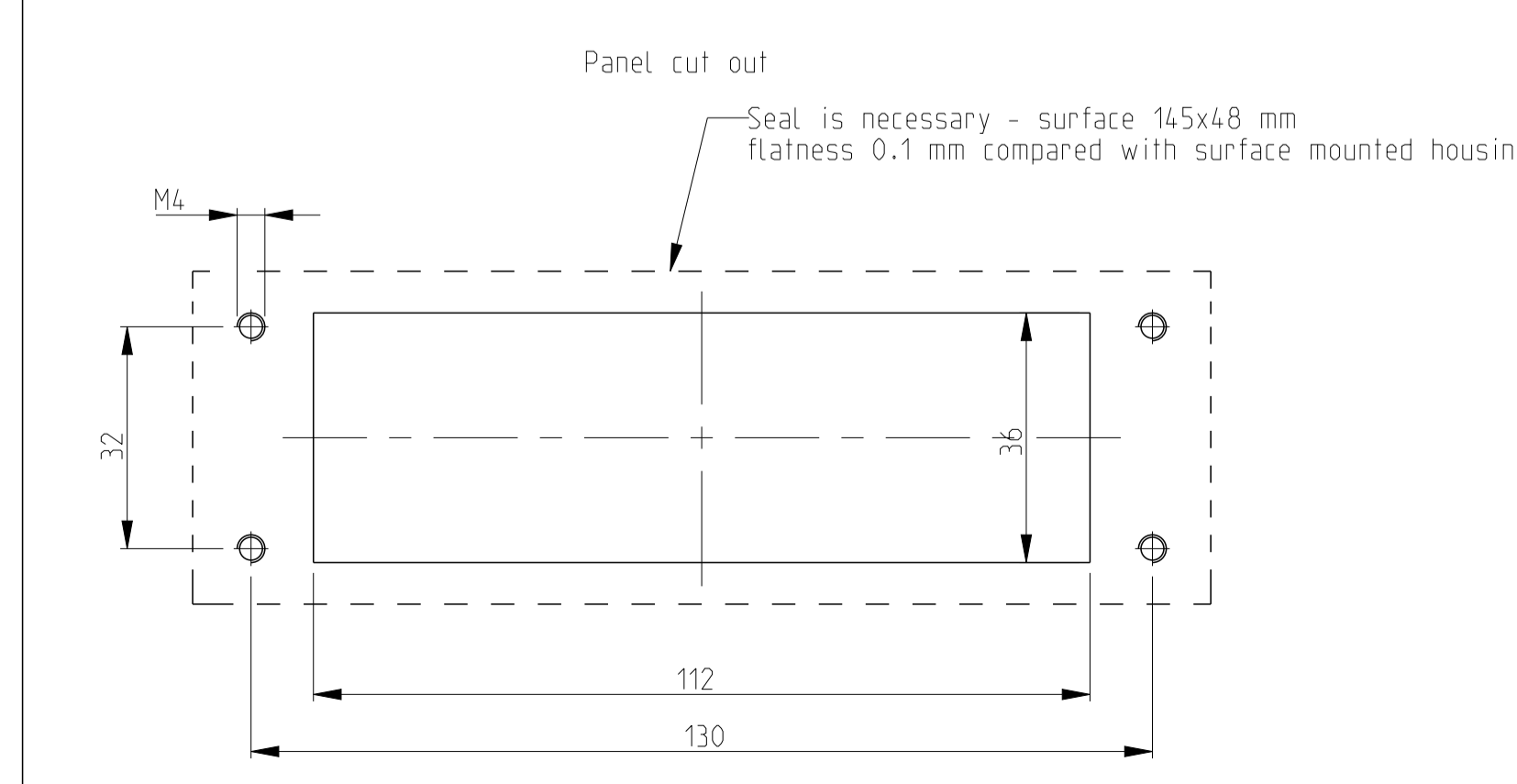
REVISIONS				
P.	LTH	DESCRIPTION	DATE	OWN APVD
C1		ECR-16-015318	18AUG2017	GR MKO
C2		ECR-16-016768	15NOV2017	GR MKO
C3		ECR-17-014033	13MAR2018	SG MKO
C4		ECR-21-123293	23FEB2022	RK JB

NOTES

- Material : Housing : aluminium die casting alloy
Seals : Neoprene : Viton
- Surface : Varnish - Grey
- Aluminium oxide
- Varnish black
- Varnish on the inside is not necessary
- Packaging
Quantity 5 pieces in a box



ITEM NO	DESCRIPTION	MATERIAL	SURFACE	COLOR	ITEM NO	NOTES
1	Surface mounted housing side entry HB	Aluminium			23	With diecast bolt
1	Profile seal	Neoprene		Black	22	Conductive
1	Flange seal	Neoprene		Black	21	Conductive
1	Surface mounted housing side entry HB	Aluminium	Chromit AL TCP passivation	Black RAL9005	20	
1	Surface mounted housing side entry HB	Aluminium		Grey RAL7001	19	Neutral
1	Flange seal	Neoprene		Black	18	2 mm thick
1	Surface mounted housing side entry HB	Aluminium		Grey RAL7001	17	Noses milled off
1	Surface mounted housing side entry HB	Aluminium		Grey	16	Without TE indication
1	Surface mounted housing side entry HB-K	Aluminium	Aluminium oxide	Blank	15	
1	Surface mounted housing side entry HB	Aluminium		Grey RAL7001	14	Elecon-logo
1	Flanged seal	Viton		Black	13	
1	Profile seal	Viton		Light grey	12	3 mm thick
1	Flange seal	Neoprene		Black	11	1 mm thick
1	Profile seal	Neoprene		Black	10	
1	VS-Clip bolt	Steel	Zinc plated	Blue	9	
1	ZB-Clip bolt	Stainless steel		Blank	8	
1	ZB-Clip bolt	Steel	Zinc plated	Blue	7	
1	LB-Side clip	Stainless steel		Blank	6	
1	LB-Side clip	Steel	Zinc plated	Blue	5	
1	VS-Locking clip	Stainless steel		Blank	4	
1	VS-Locking clip	Steel	Zinc plated	Blue	3	
1	Surface mounted housing side entry HB-K	Aluminium	Aluminium oxide	Black RAL9005	2	
1	Surface mounted housing side entry HB	Aluminium		Grey RAL7001	1	



THIS DRAWING IS A CONTROLLED DOCUMENT. DWN: Schweiger 23.07.1997
CHK: Kramer 26.06.1998

TE Connectivity

PRODUCT SPEC: 108-74001/74003
APPLICATION SPEC: 114-74001/74004/74005

SIZE: A1 CAGE CODE: 00779 DRAWING NO: 1102291

RESTRICTED TO: CUSTOMER DRAWING SCALE: 5:1 SHEET: 1 OF 1 REV: C4