

THIS DRAWING IS UNPUBLISHED
VERTRAULICHE UNVERÖFFENTLICHE ZEICHNUNG

RELEASE FOR PUBLIKATION
FREI FUER VERÖFFENTLICHUNG

MATED WITH:
PASSEND ZU:

LOC AI
DIST -

REVISIONS
ÄNDERUNGEN

© COPYRIGHT 2000
BY AMP INCORPORATED

ALL RIGHTS RESERVED
ALLE RECHTE VORBEHALTEN

BG5

P LTR
A1 NEW DRAWN

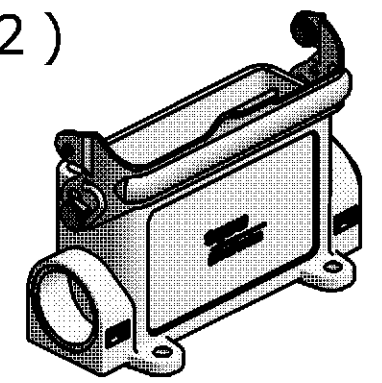
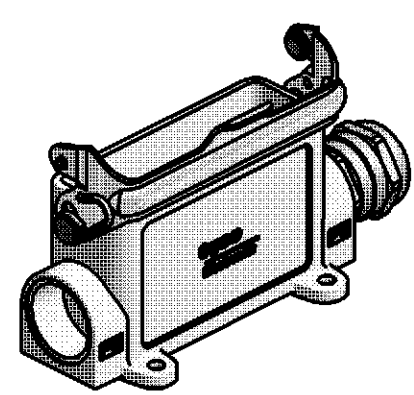
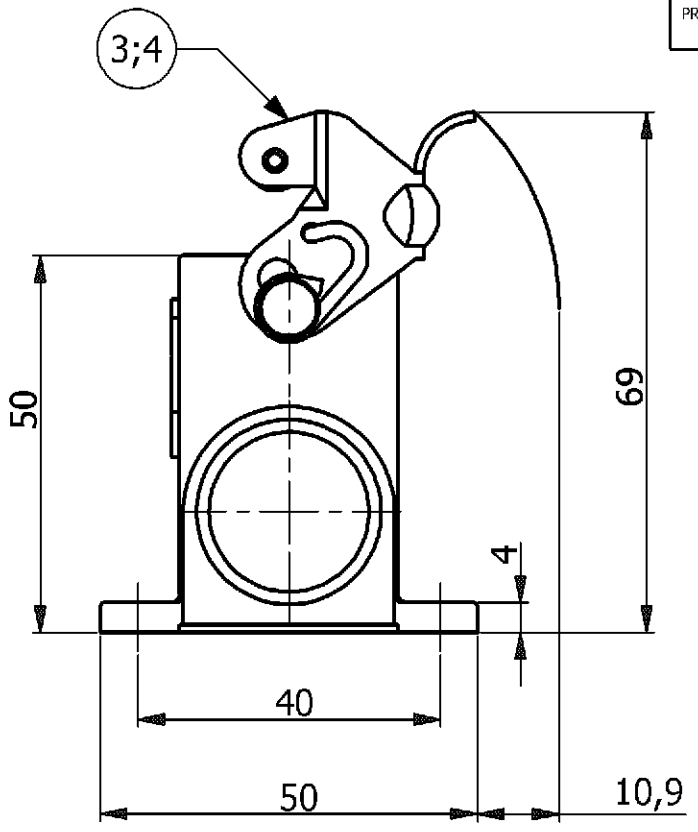
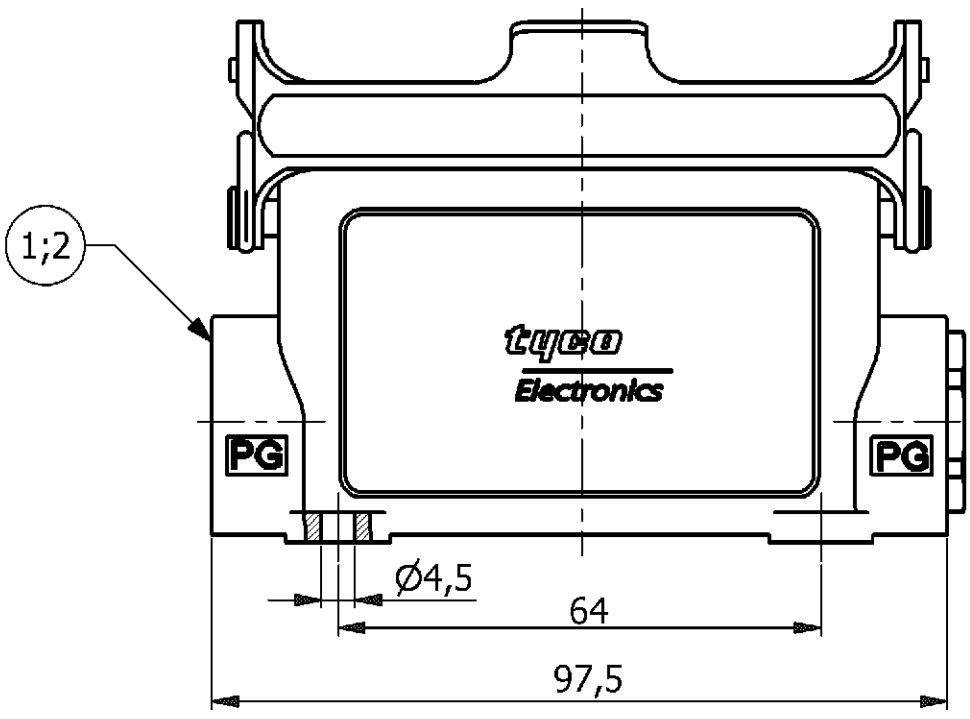
DESCRIPTION
BESCHREIBUNG

DATE 3/10/2006
DWN PB
APVD ST

PROJEKT NR.
EGGMA05416

NOTES

- 1 PACKAGING QUANTITY: 5 PIECES PER BOX
- 2 MATERIAL: HOUSING: ALUMINIUM DIECASTING ALLOY
- 3 FINISH: POWDER COATED OR CORROSION PROTECTION
- 4 VARNISH ON THE INSIDE NOT NECESSARY



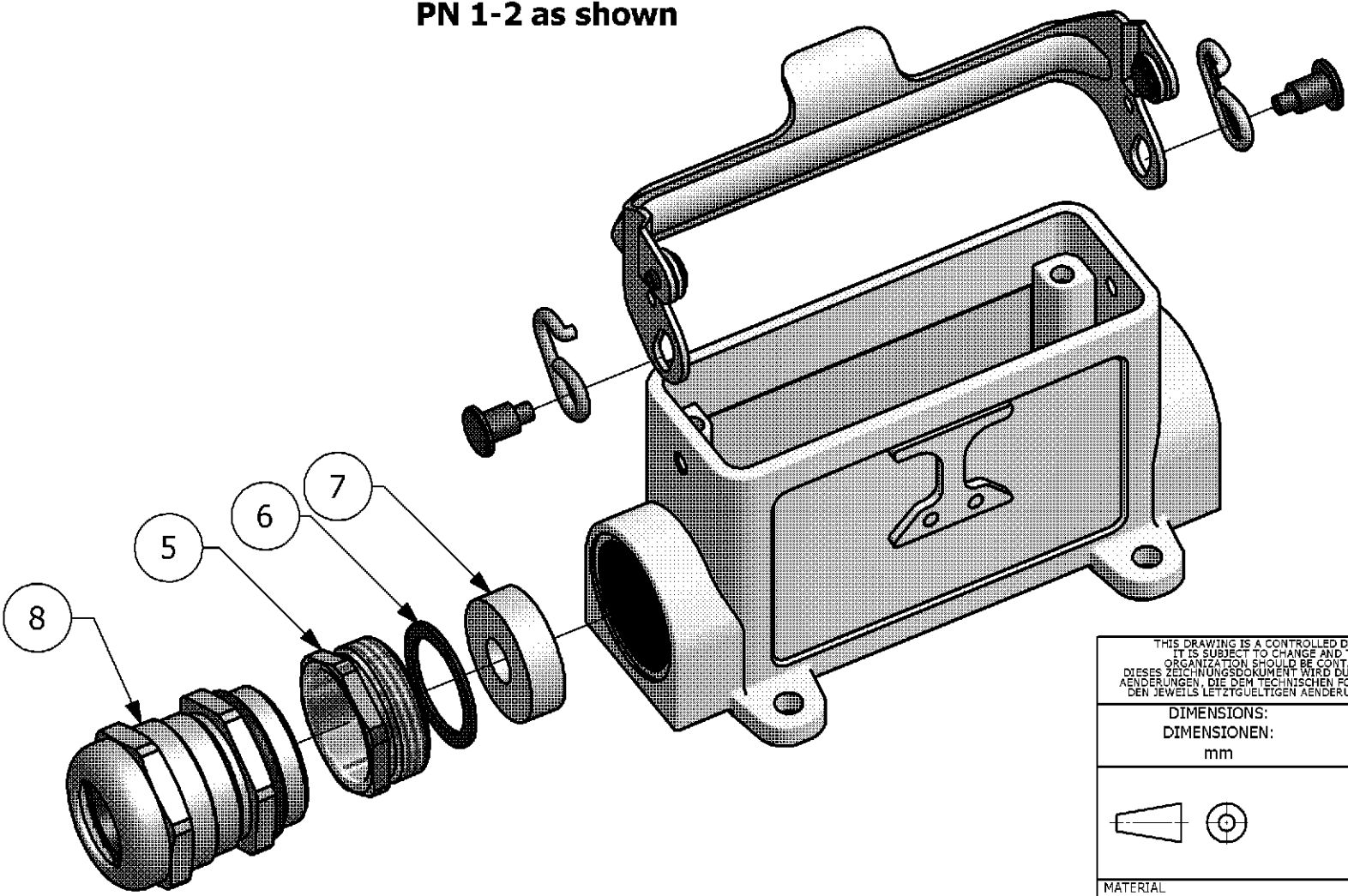
PN 1-2 as shown

PN 2-2

PN 1-2

Ordering Text
HA-K.16.SG-LB.2.16

Ordering Text
HA.16.SG-LB.2.16



1-2	1-2	DESCRIPTION	MATERIAL	SURFACE	COLOR	ITEM	REMARKS
1	-	Cable Fitting	Brass	Nickel Plated	Blue	8	-
-	1	Pressing Ring	Neoprene	-	Black	7	-
-	1	Close Ring	Steel	Zinc Plated	Blue	6	-
-	1	Pressing Screw	Brass	Nickel Plated	Blue	5	-
1	-	Side Clip	V2A/ Steel	Zinc Plated	Blue	4	-
-	1	Side Clip	Steel	-	-	3	-
1	-	Surface Mounted Housing HA.16	Aluminium	Aluminium Oxide	Grey	2	-
-	1	Surface Mounted Housing HA.16	Aluminium	-	Grey	1	-

DIMENSIONS: DIMENSIONEN: mm		TOLERANCES UNLESS OTHERWISE SPECIFIED: ALLGEMEINTOLERANZEN	
		n. ISO 8015 - mH-E n. ISO 2768 - 140 n. DIN 16901-	
MATERIAL		FINISH / OBERFLÄECHE / FARBE	
2		3	

DWN	P.BENNUR	3/10/2006		Tyco / Electronics AMP GmbH D - 53819 Neunkirchen
CHK	R.SRINIVAS	3/10/2006		
APVD	T.SCHNURPFEL	3/10/2006	NAME SURFACE MOUNTED HOUSING HA.16.SG-LB.1.16	
PRODUCT SPEC. PRODUKTSPEZ.	-			
APPLICATION SPEC. VERARBEITUNGSSPEZ.	-			
WEIGHT GEWICHT	A3	00779	DRAWING NO. ZEICHNUNGS-NR. 1102142	RESTRICTED TO NUR FUER
CUSTOMER DRAWING / KUNDENZEICHNUNG			SCALE MASSSTAB 1:1	SHEET BLATT 1 OF VON 1 REV. A1

H:\HTS\EGGMA05416\1014_HA_16_SG-LB.16_Assembly.dwg (1102142)_C_A1.dwg