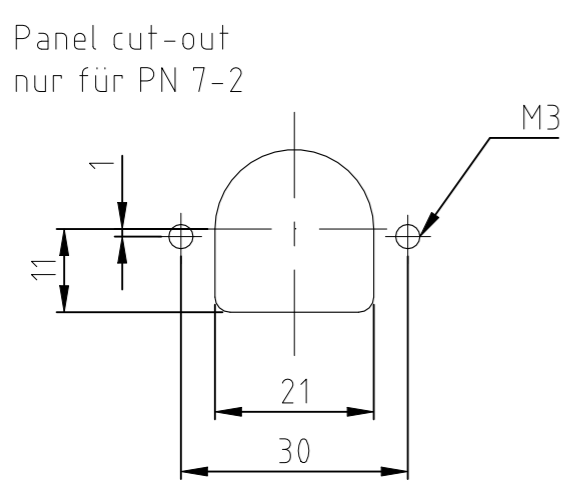
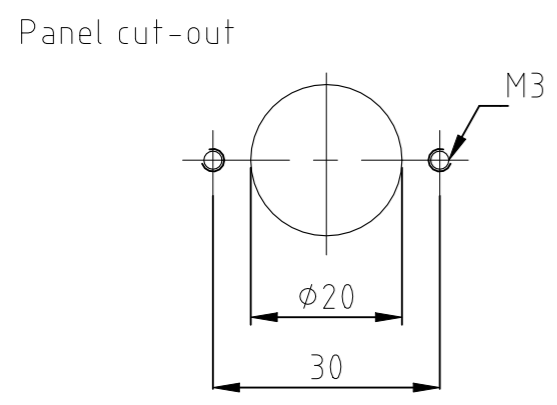
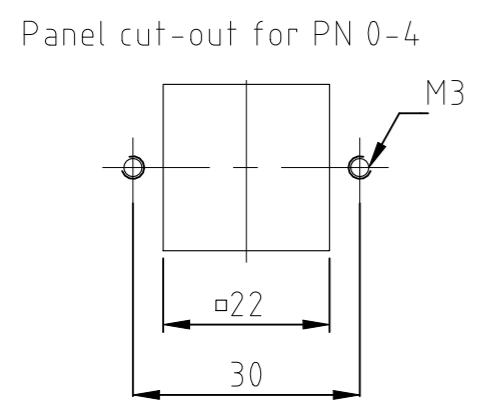
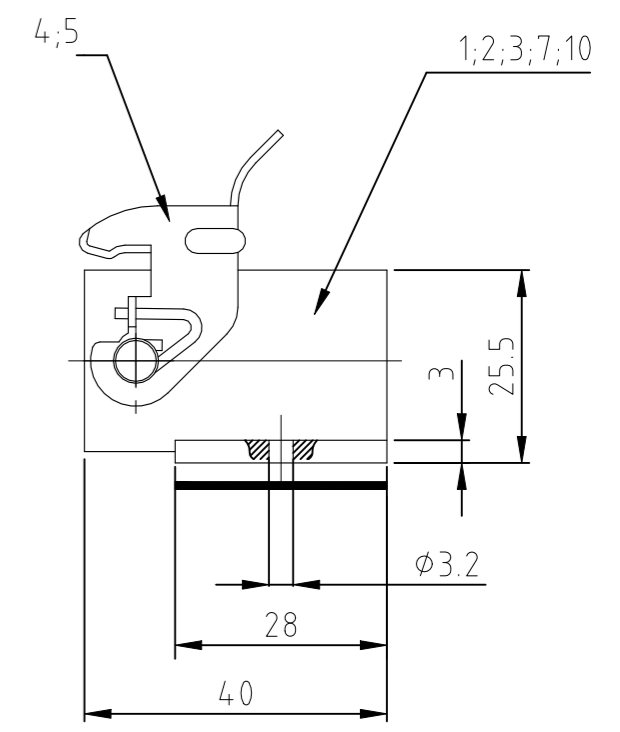
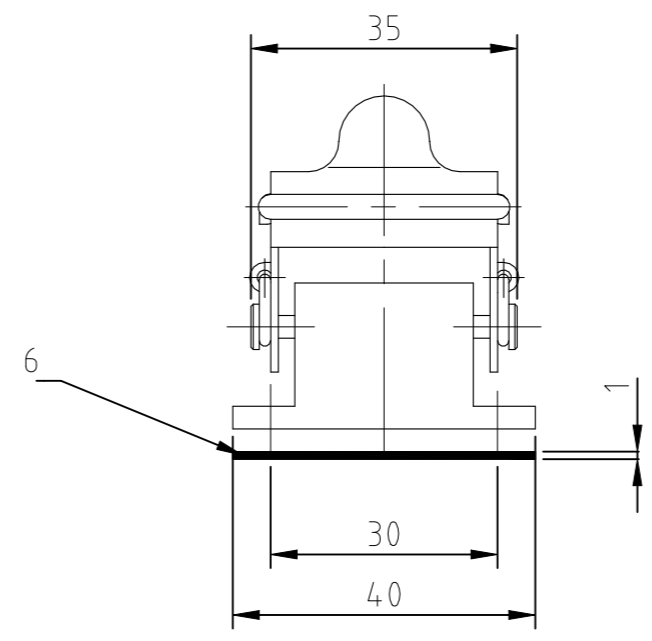
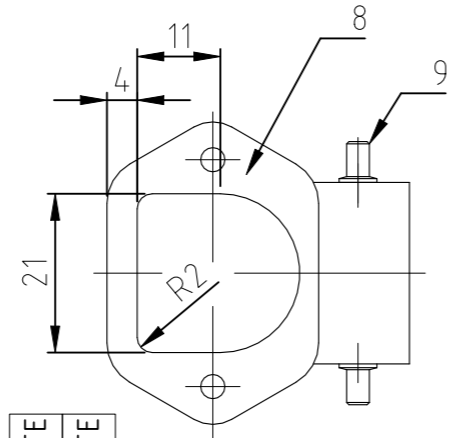
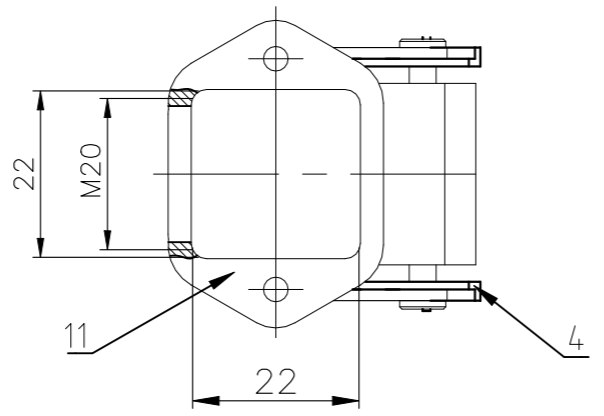


TE Connectivity All Rights Reserved.

FREI FUER VEROEFFENTLICHUNG
ALLE RECHTE VORBEHALTEN

REVISIONS ÄNDERUNGEN		DESCRIPTION BESCHREIBUNG	DATE	DWN	APVD
P	LTR				
	A11	REVISED PER ECR-24-201443	23APR2024	RK	WR

- NOTES:
- 1 Material: zink diecast
Seals: NEOPRENE
 - 2 SURFACE: HAMMER SCALES VARNISH
OR POWDER COATED
CORROSION PROTECTION
 - 3 PACKAGING:
PACKAGING QUANTITY: 5 PIECES
 - 4 SPECIAL PACKAGING: Krauss-Maffei
PACKAGING UNIT: 100 PIECES IN Krauss-Maffei-Box



ITEM NO. POS.	NOTES	COLOR	SURFACE	MATERIAL	DESCRIPTION	1	2	3	4	5	6	7	8	9	10	11
11		grey		zinc diecast	surface mounted housing side and bottom entry											
10		without varnish	blue passivation	zinc diecast	surface mounted housing bottom entry		1									
9		blue		steel	Bügelbolzen/clip bolt			2								
8		grey		zinc diecast	surface mounted housing bottom entry		1									
7		alufarbig		zinc diecast	surface mounted housing bottom entry			1								
6		black		Neoprene	Flanschdichtung/flanged seal	1	1	1	1	1	1	1	1	1	1	1
5			blank	stainless steel	side clip					1						
4		blue	zinc plated	steel	side clip						1			1		
3		without varnish			surface mounted housing bottom entry							1				
2		black			surface mounted housing bottom entry									1		
1		grey		zinc diecast	surface mounted housing bottom entry											1

ORDERING TEXT / BESTELLTEXT HA.3.AGW-LB.22x22.1.M20.B HA.3.AGW-LB.KM HA-EMV-K.3.AGW-LB HA.3.AGW-LB-SO HA.3.AGW-SO HA-K.3.AGW-LB-SO HA.3.AGW-LB-SO HA-K.3.AGW-LB HA.3.AGW-LB	THIS DRAWING IS A CONTROLLED DOCUMENT. DIESE ZEICHNUNG IST EIN KONTROLLIERTES DOKUMENT.	DWN Schneider 03.11.1999 CHK M Schweiger 03.11.1999	TE Connectivity SURFACE MOUNTED HOUSING BOTTOM ENTRY ANBAUGEHAEUSE HA.3.AGW-LB	
	DIMENSIONS: MASSE/NHEITEN: mm 	TOLERANCES UNLESS OTHERWISE SPECIFIED: ALL GEMEINTOLERANZEN 0 PLC ± - 1 PLC ± - 2 PLC ± - 3 PLC ± - 4 PLC ± - ANGLES / WINKEL ± - FINISH / OBERFLAECHE / FARBE -		PRODUCT SPEC PRODUKTSPEZ. 108-74000 APPLICATION SPEC VERARBEITUNGSSPEZ. 114-74002 WEIGHT GEWICHT -
CUSTOMER DRAWING / KUNDENZEICHNUNG		SCALE MASSTAB 1:1	SHEET BLATT 1 von 1	REV A11