

4

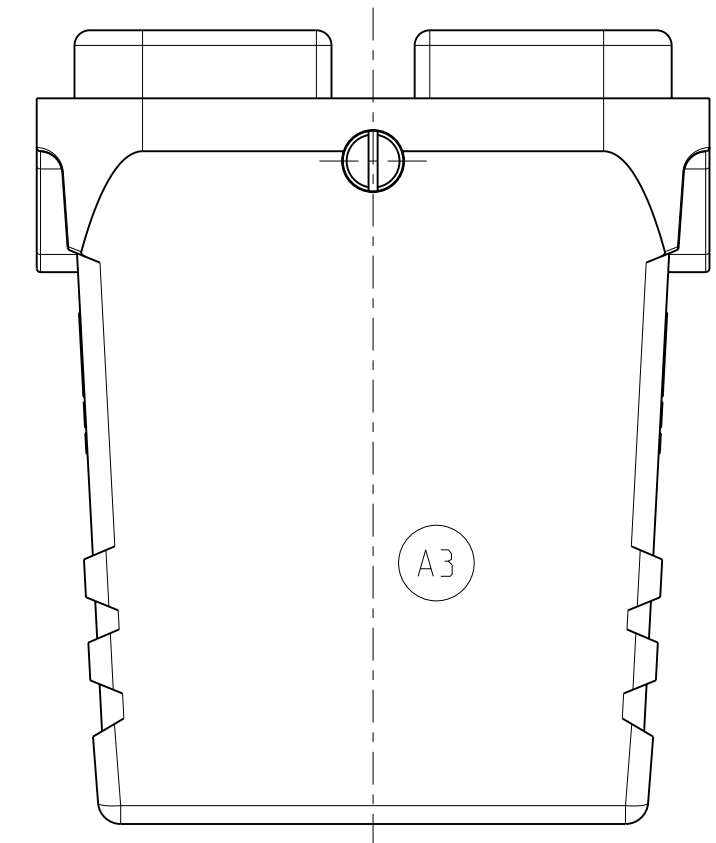
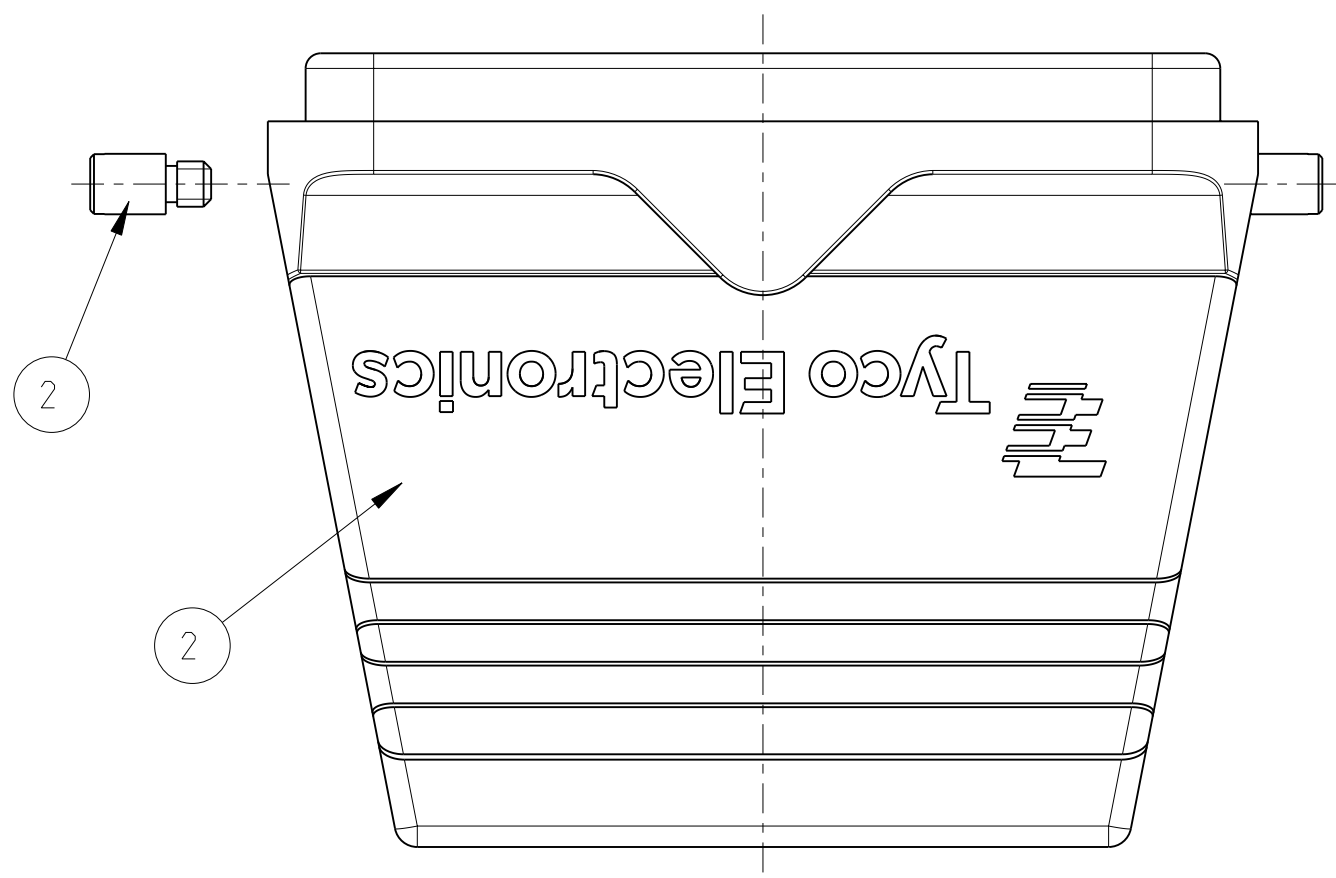
3

2

1

THIS DRAWING IS UNPUBLISHED. RELEASED FOR PUBLICATION 2006
 © COPYRIGHT 2006 BY TYCO ELECTRONICS CORPORATION. ALL RIGHTS RESERVED.

LOC	DIST	REVISIONS					
		P	LTR	DESCRIPTION	DATE	DWN	APVD
A1	-		A3	ECR-10-023396	12NOV2010	SR	TV



NOTES

- 1 PART SHALL BE FREE AND CLEAN OF BURRS AND OTHER FOREIGN MATERIAL
- 2 PACKAGING: QUANTITY 3 PIECES
- 3 VARNISHING INSIDE HOUSING NOT REQUIRED

2	CLIP BOLT	V2A		BLANK	2
1	HOOD HB 48	ALUMINIUM/ALU	ALUMINIUM OXID	BLACK	1
0-1	DESCRIPTION	MATERIAL	SURFACE	COLOR	ITEM
HB-K.48.ST-GR					

<small>THIS DRAWING IS A CONTROLLED DOCUMENT FOR TYCO ELECTRONICS CORPORATION IT IS SUBJECT TO CHANGE AND THE CONTROLLING ENGINEERING ORGANIZATION SHOULD BE CONTACTED FOR THE LATEST REVISION.</small>		DWN R.SCHNEIDER 06AUG2007 CHK SCHNURPFEL 06AUG2007 APVD - PRODUCT SPEC - APPLICATION SPEC - WEIGHT -	Tyco Electronics tyco Electronics AMP GmbH 53819 Neunkirchen (Germany)
DIMENSIONS: mm 	TOLERANCES UNLESS OTHERWISE SPECIFIED: 0 PLC ± 1 PLC ± 2 PLC ± 3 PLC ± 4 PLC ± ANGLES ±1° FINISH -	NAME HOOD HB.48.AGD-LB SIZE A3 CAGE CODE 00779 DRAWING NO ©=1102035	RESTRICTED TO - SCALE SHEET 1 OF 1 REV A3
MATERIAL -		CUSTOMER DRAWING	