

4

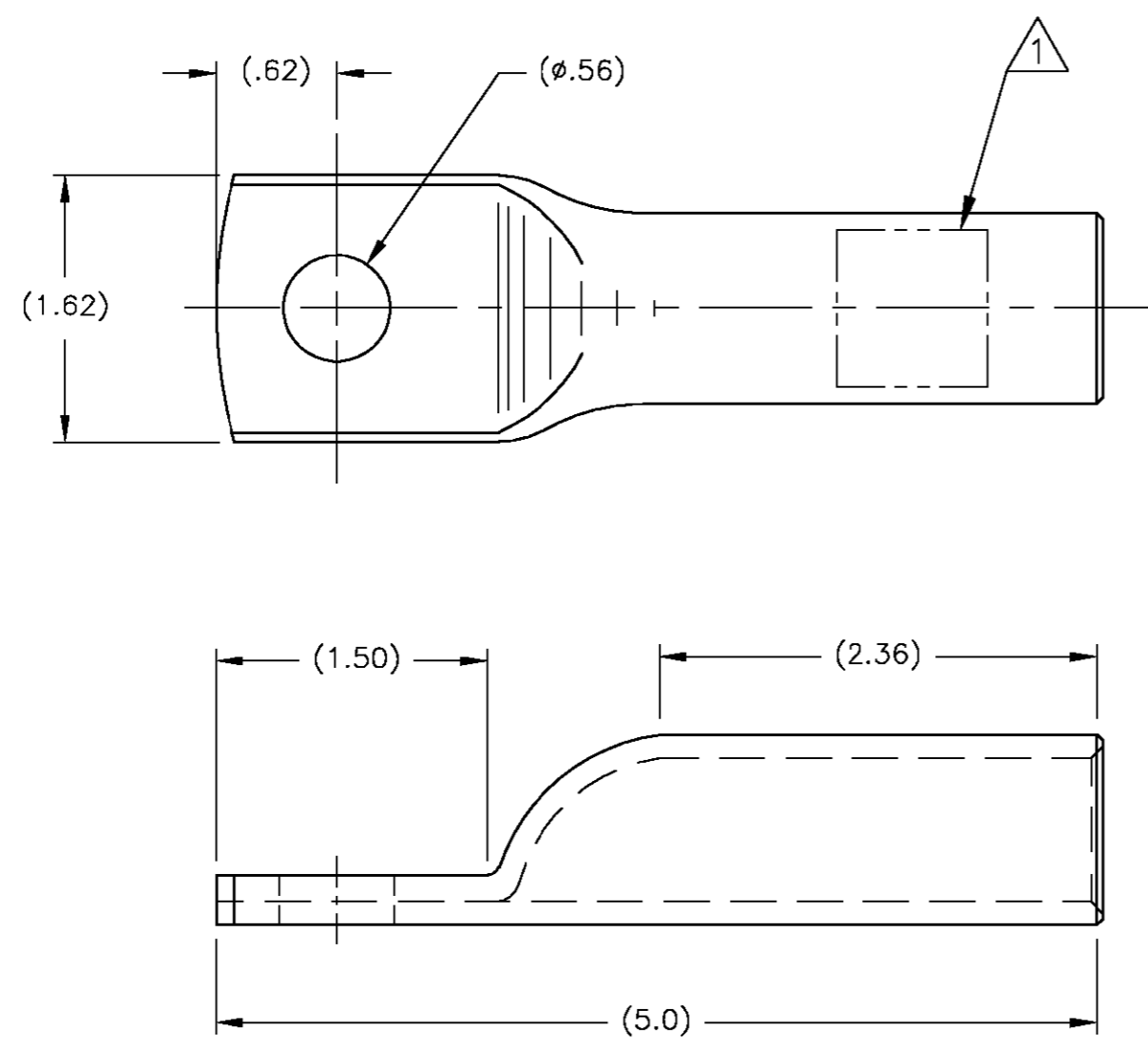
3

2

1

THIS DRAWING IS UNPUBLISHED. RELEASED FOR PUBLICATION
 © COPYRIGHT BY TYCO ELECTRONICS CORPORATION. ALL RIGHTS RESERVED.

LOC	DIST	REVISIONS				
P	LTR	DESCRIPTION	DATE	DWN	APVD	
GA	1	B	PER LC20-0030-07 / ECO-07-001970	30JAN07	DM	BJ



1 MARKINGS:
 TYCO 1099894-1
 CKLL050NTN
 500 MCM
 CSA 28 CU [D/C]
 2. HARDNESS: SOFT TEMPERED

CSA 28 CU	500 MCM (.813 OD) CU CABLE	L877	10400	CKLL050NTN	1099894-1
DIE SIZE	ACCOMMODATES	O.H. SPEC.	H.O. NO.	CAT P/N	TYCO P/N
THIS DRAWING IS A CONTROLLED DOCUMENT.		DWN D ROBITAILLE 12 MAR 03	Tyco Electronics Corporation Markham, ON, L3R 1E1		
DIMENSIONS: INCHES		CHK D LADIN 13 MAR 03			
		APVD B JOHNSON 17 MAR 03	NAME LUG, COPPER, 500 MCM CU CABLE		
TOLERANCES UNLESS OTHERWISE SPECIFIED: 0 PLC ± 1 PLC ± 2 PLC ± 3 PLC ± 4 PLC ± ANGLES ±		PRODUCT SPEC	RESTRICTED TO		
MATERIAL COPPER C11000		FINISH TIN PLATED	APPLICATION SPEC	SIZE A3	CAGE CODE 00779
CUSTOMER DRAWING			DRAWING NO C-1099894	SCALE NTS	SHEET 1 OF 1
			WEIGHT	REV B	