


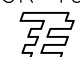
THIS DRAWING IS UNPUBLISHED. RELEASED FOR PUBLICATION
 © COPYRIGHT BY TYCO ELECTRONICS CORPORATION. ALL RIGHTS RESERVED.

| | | | | | | | |
|-----|------|-----------|-----|----------------------------------|-----------|-----|------|
| LOC | DIST | REVISIONS | | | | | |
| GA | 1 | P | LTR | DESCRIPTION | DATE | DWN | APVD |
| | | | C | PER LC20-0159-08 / ECO-08-015314 | 20JUN2008 | DM | BJ |

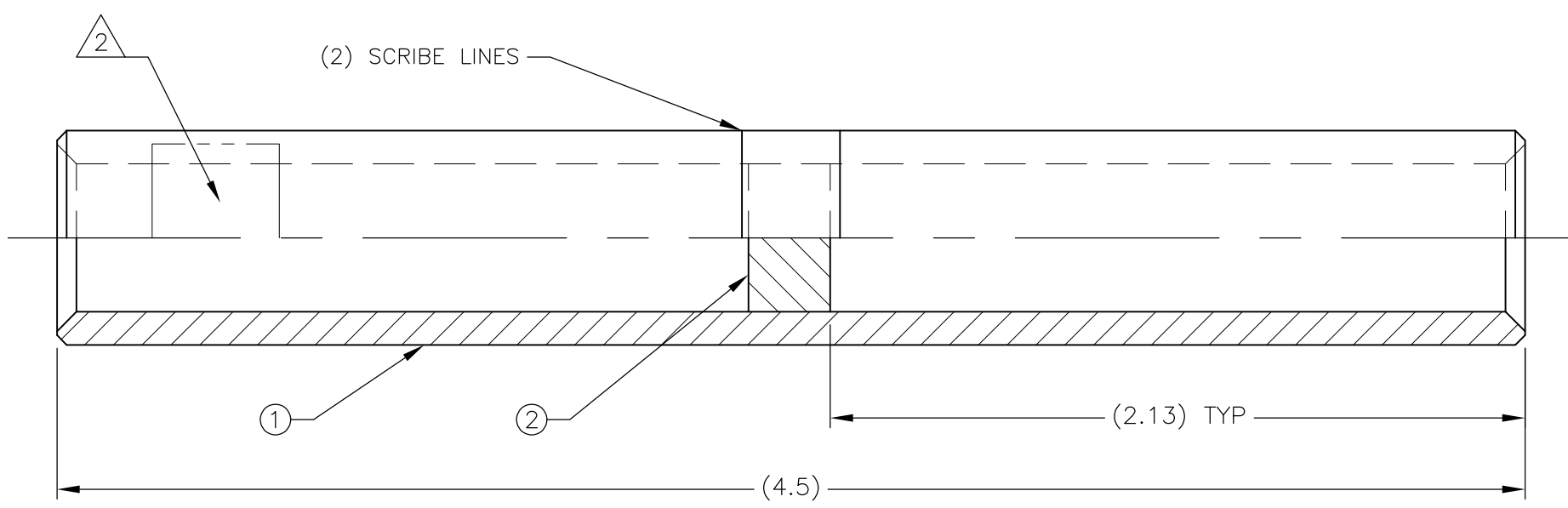
- ACCOMMODATES:
 2/0 AWG SOL (ϕ .385) CU CONDUCTORS.
 2/0 19 STR (ϕ .418) CU CONDUCTORS.

2 MARKING:

FOR 1099800-1;

 CKSN20P
 2/0 SOL, STR
 CSA 22 CU [D/C]

FOR 1099800-2;

 CKSN20PTN
 2/0 SOL, STR
 CSA 22 CU [D/C]

- HARDNESS: SOFT TEMPERED
- FINISH:
 FOR 1099800-1: NONE.
 FOR 1099800-2: ELECTRO TIN PLATED.



| | |
|-----------|-----------|
| CKSN20PTN | 1099800-2 |
| CKSN20P | 1099800-1 |
| CAT. P/N | PART NO. |

| QTY PER ASSY | QTY PER ASSY | DESCRIPTION | ITEM NO. |
|--------------|--------------|--|----------|
| 1 | 1 | BUTTON, COPPER | 2 |
| 1 | - | COMPRESSION SPLICE, COPPER, TIN PLATED | 1 |
| - | 1 | COMPRESSION SPLICE, COPPER, UNPLATED | |
| -2 | -1 | DESCRIPTION | ITEM NO. |

| | | | | | |
|--|--|------------------|-----------|---|-----------|
| THIS DRAWING IS A CONTROLLED DOCUMENT. | | DWN | 14 MAY 03 | Tyco Electronics Corporation | |
| DIMENSIONS: INCHES | | CHK | 15 MAY 03 | Markham, ON L3R 1E1 | |
| TOLERANCES UNLESS OTHERWISE SPECIFIED: | | APVD | 16 MAY 03 | NAME | |
| 0 PLC ± | | A BULZA | | COMPRESSION SPLICE ASSY, COPPER, 2/0 AWG 19 STR COPPER CONDUCTORS | |
| 1 PLC ± | | B JOHNSON | | PRODUCT SPEC | |
| 2 PLC ± | | PRODUCT SPEC | | APPLICATION SPEC | |
| 3 PLC ± | | WEIGHT | | SIZE | CAGE CODE |
| 4 PLC ± | | CUSTOMER DRAWING | | A3 | 00779 |
| ANGLES ± | | SCALE | | DRAWING NO | |
| FINISH | | RESTRICTED TO | | G-1099800 | |
| SEE TABLE | | NONE | | SCALE | SHEET |
| | | CUSTOMER DRAWING | | NTS | 1 OF 1 |
| | | | | REV | C |