

4

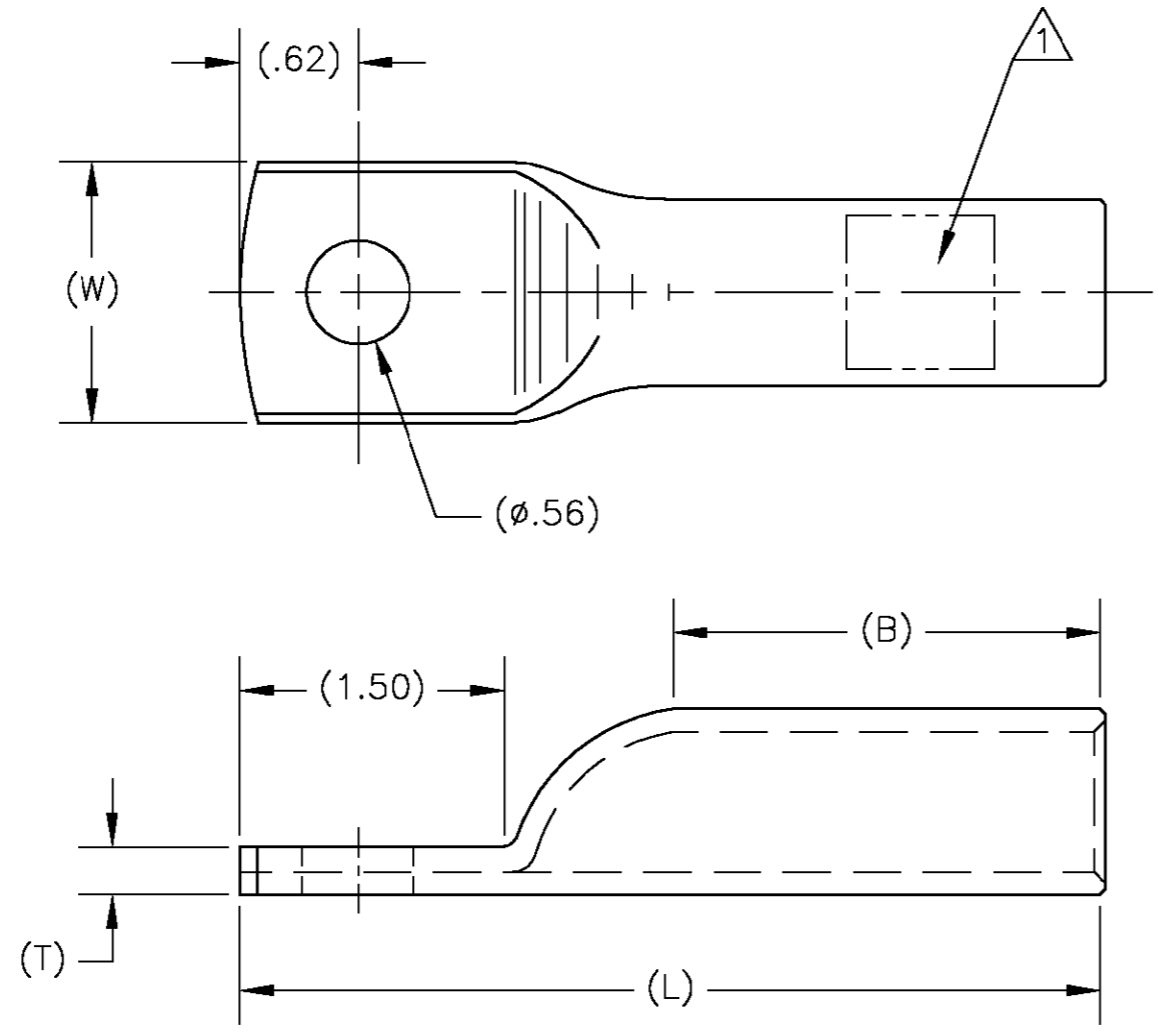
3

2

1

THIS DRAWING IS UNPUBLISHED. RELEASED FOR PUBLICATION
 © COPYRIGHT BY TYCO ELECTRONICS CORPORATION. ALL RIGHTS RESERVED.

LDC	DIST	REVISIONS				
P	LTR	DESCRIPTION	DATE	DWN	APVD	
GA	1	A	INTEGRATION: LC20-0158-05	14 SEP 05	DR	BJ



- 1 MARKINGS:
 TYCO 1099620-1
 CKLL025NTN
 250 KCM CU
 CSA 24 [D/C]
2. ACCOMMODATES:
 250MCM (ø.575) COPPER CONDUCTOR
3. ALL DIMENSIONS ARE FOR REFERENCE ONLY

CSA 24 CU	2.36	0.27	1.14	4.68	CKLL025NTN	1099620-1
DIE SIZE	B	T	W	L	CAT NO	TYCO PART NO

THIS DRAWING IS A CONTROLLED DOCUMENT.		DWN D ROBITAILLE 14 SEP 05	Tyco Electronics Corporation Markham, ON L3R 1E1			
DIMENSIONS: INCHES		CHK A BULZA 14 SEP 05				
		APVD B JOHNSON 15 SEP 05	NAME LUG, COPPER, 250 KCM CU CABLE TO ONE HOLE PAD			
TOLERANCES UNLESS OTHERWISE SPECIFIED:		PRODUCT SPEC	SIZE A3			
0 PLC ± 1 PLC ± 2 PLC ± 3 PLC ± 4 PLC ± ANGLES ±		APPLICATION SPEC	CAGE CODE 00779	DRAWING NO C-1099620	RESTRICTED TO	
MATERIAL ETP COPPER		FINISH TIN PLATED	WEIGHT		SCALE NTS	
CUSTOMER DRAWING			SHEET 1 OF 1		REV A	