

4

3

2

1

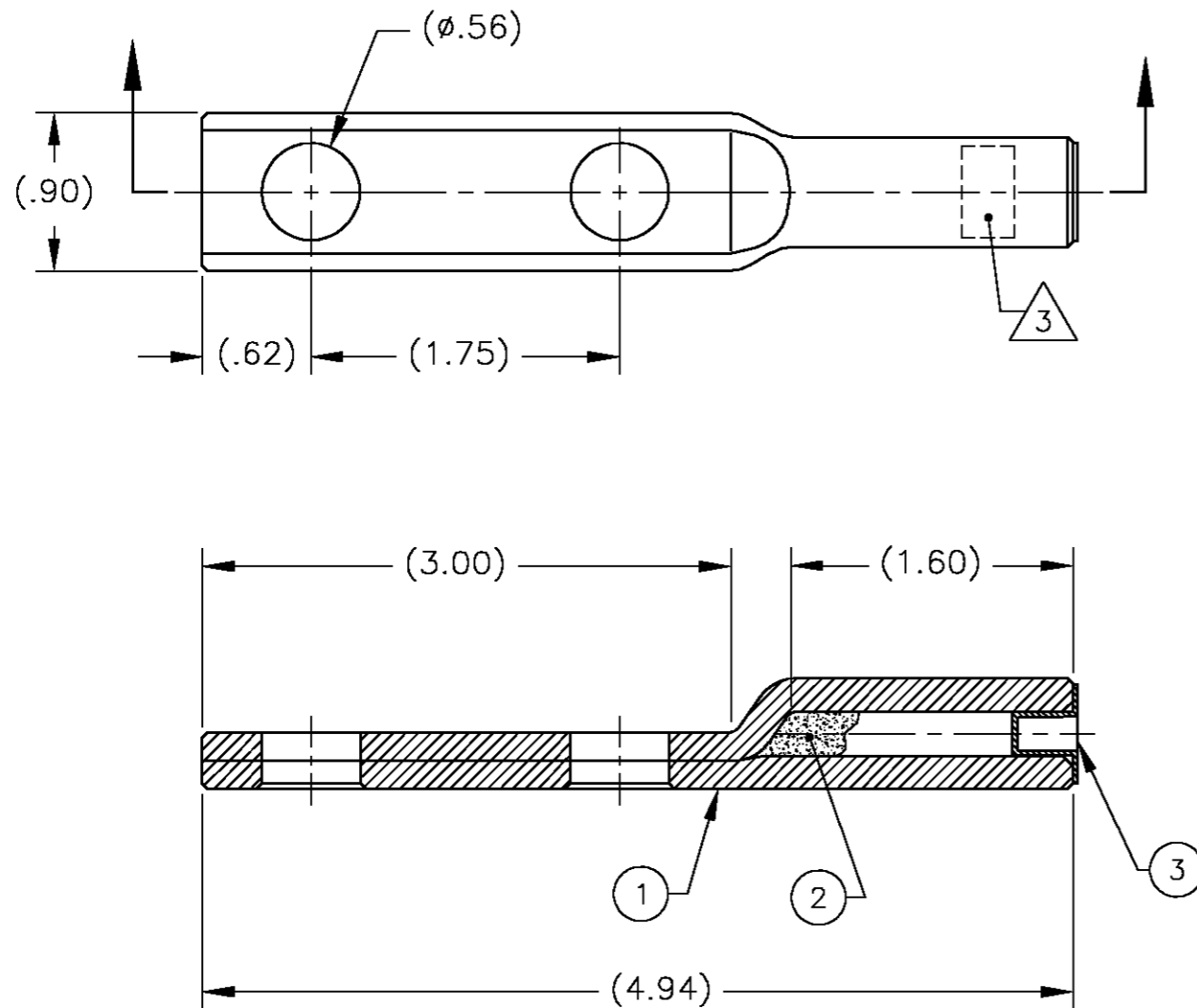
THIS DRAWING IS UNPUBLISHED.

RELEASED FOR PUBLICATION

---

© COPYRIGHT BY TYCO ELECTRONICS CORPORATION. ALL RIGHTS RESERVED.

LOC	DIST	REVISIONS			
P	LTR	DESCRIPTION	DATE	DWN	APVD
GA	1	A	INITIAL REL. PER LC20-0220-06	17OCT2006	DM BJ



- 1 MATERIAL:  
ALUMINUM ALLOY.
- 2. ACCOMMODATES:  
#6 AWG STD STR TO COMPT (.184"-.169 DIA) AL/CU CONDUCTORS.
- 3 MARKING:  
TYCO 1099533-1  
KL62NTN  
6 STD STR-CPT  
CSA 22  
[D/C]
- 4 FINISH:  
ELECTRO-TIN PLATE.
- 5. GENERAL REQUIREMENTS:  
CONNECTOR CONTAINS INHIBITOR AND IS CAPPED.
- 6. ALL DIMENSIONS ARE FOR REFERENCE ONLY.

KL62NTN	1099533-1
CAT. P/N	TYCO P/N

QTY PER ASSY	DESCRIPTION	ITEM NO
1	PLASTIC CAP	3
A/R	INHIBITOR, CUAL-AID	2
1	COMPRESSION TERMINAL BODY	1
-1	DESCRIPTION	ITEM NO
PARTS LIST		

THIS DRAWING IS A CONTROLLED DOCUMENT.		DWN D. MURUGIAH 17OCT2006	<b>tyco</b> Tyco Electronics Corporation Markham, ON L3R-1E1													
DIMENSIONS: INCHES		CHK A. BULZA 18OCT2006	NAME ALUMINUM COMPRESSION TERMINAL, 2 HOLE PAD, TIN PLATED, #6 AWG STD STR TO COMPACT CONDUCTORS													
TOLERANCES UNLESS OTHERWISE SPECIFIED:		APVD B. JOHNSON 18OCT2006	PRODUCT SPEC -													
<table border="0"> <tr><td>0 PLC</td><td>±</td></tr> <tr><td>1 PLC</td><td>±</td></tr> <tr><td>2 PLC</td><td>±</td></tr> <tr><td>3 PLC</td><td>±</td></tr> <tr><td>4 PLC</td><td>±</td></tr> <tr><td>ANGLES</td><td>±</td></tr> </table>		0 PLC	±	1 PLC	±	2 PLC	±	3 PLC	±	4 PLC	±	ANGLES	±	APPLICATION SPEC -	SIZE A3	CAGE CODE 00779
0 PLC	±															
1 PLC	±															
2 PLC	±															
3 PLC	±															
4 PLC	±															
ANGLES	±															
MATERIAL 	FINISH 	WEIGHT -	DRAWING NO C=1099533													
CUSTOMER DRAWING			SCALE NTS	SHEET 1 OF 1												
			REV A													