

4

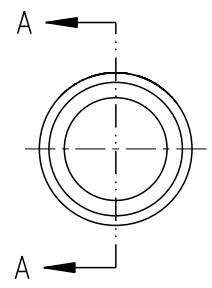
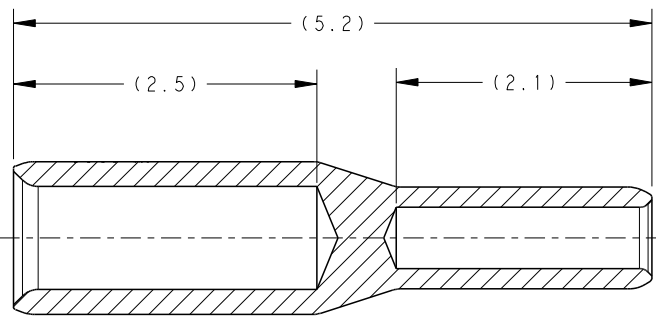
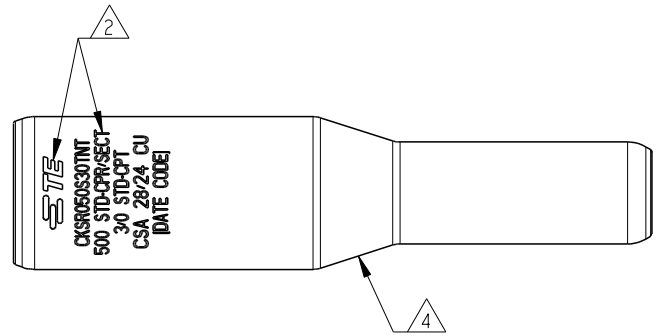
SCRIBE LINE

2

1

THIS DRAWING IS UNPUBLISHED. RELEASED FOR PUBLICATION 20
 © COPYRIGHT 20 BY - ALL RIGHTS RESERVED.

LOC	DIST	REVISIONS					
GA	1	P	LTR	DESCRIPTION	DATE	DWN	APVD
		D		LC20-0137-09 / ECO-09-025786	29OCT2009	DM	BJ
		E		LC20-0032-12 / ECO-12-006946	28MAR2012	DM	BJ



SECTION A-A

- ACCOMMODATES:
 500 KCMIL STD-CPR (.813-.736 DIA) COPPER CONDUCTORS.
 500 KCMIL SECTORAL COPPER CONDUCTOR
 3/0 AWG STD-CPT (.470-.423 DIA) COPPER CONDUCTORS.

MARKING:
STE
 [CATALOG NO]
 [CONDUCTOR SIZE]
 [DIE SIZE]
 [DATE CODE]

- (REFER TO TABLE FOR CATALOG NO, CONDUCTOR SIZE & DIE SIZE)
- HARDNESS:
SOFT TEMPERED.
- DO NOT CRIMP BETWEEN TAPERED AREA.
- ALL DIMENSIONS ARE FOR REFERENCE ONLY.

ELECTRO-TIN PLATED	CSA 28/24 CU	500 STD-CPR/SECT 3/0 STD-CPT	CKSR050S30TNT	1099446-1
NONE			CKSR050S30T	1099446-2
FINISH	DIE SIZE	CONDUCTOR SIZE	CATALOG NO.	PART NO.

THIS DRAWING IS A CONTROLLED DOCUMENT.		DWN D. MURUGIAH 10APR2007	STE TE Connectivity	
DIMENSIONS: INCHES		CHK A. BULZA 16APR2007		
TOLERANCES UNLESS OTHERWISE SPECIFIED:		APVD D. LADIN 17APR2007	NAME COPPER COMPRESSION REDUCING SLEEVE, 500KCMIL STD-CPR/SECT TO 3/0AWG STD-CPT COPPER CONDUCTORS	
		PRODUCT SPEC -	SIZE A3	
MATERIAL ETP CU		APPLICATION SPEC -	CAGE CODE 00779	DRAWING NO 1099446
FINISH SEE TABLE		WEIGHT -	RESTRICTED TO -	
CUSTOMER DRAWING			SCALE NTS	SHEET 1 OF 1 REV E