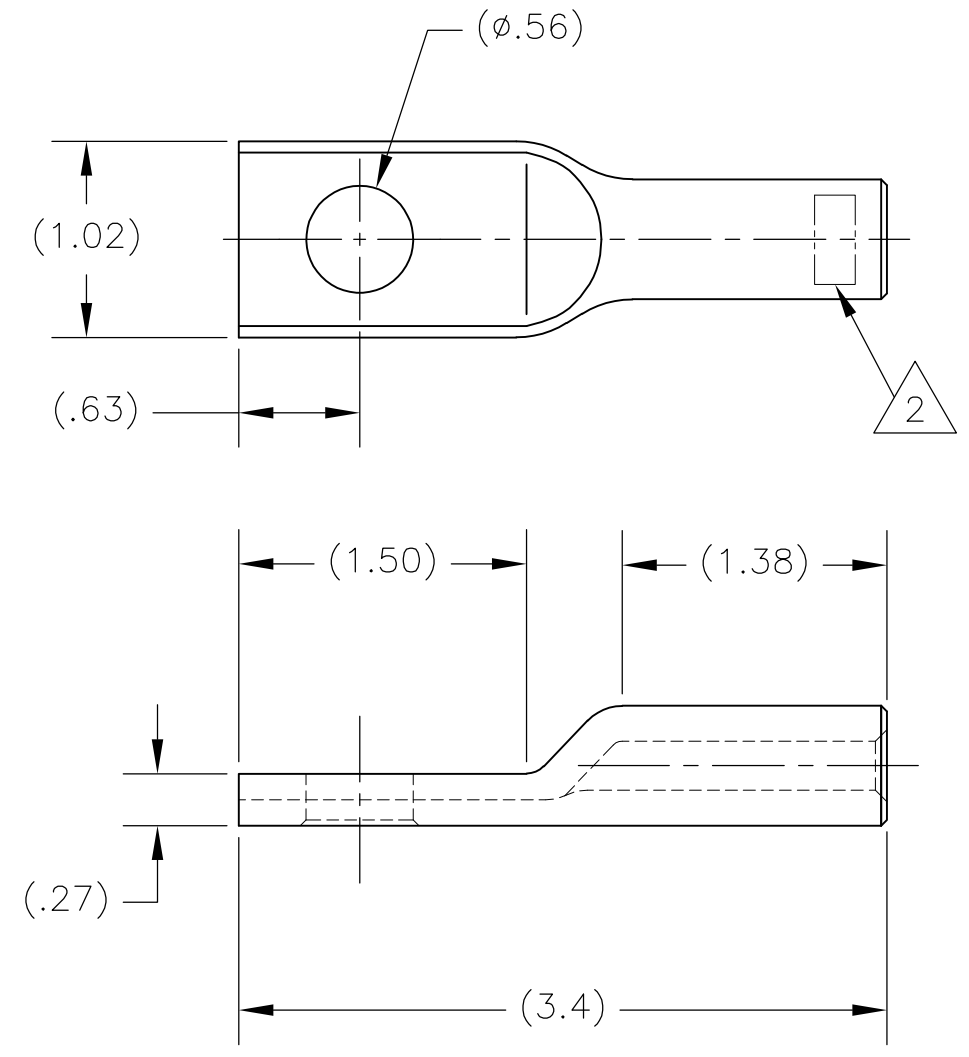



THIS DRAWING IS UNPUBLISHED. RELEASED FOR PUBLICATION
 © COPYRIGHT BY TYCO ELECTRONICS CORPORATION. ALL RIGHTS RESERVED.

LOC	DIST	REVISIONS			
P	LTR	DESCRIPTION	DATE	DWN	APVD
GA	1	A	INITIAL REL. PER LC20-0268-08	20NOV2008	DM BJ



1. ACCOMMODATES:
#4 AWG STD STR (.232 DIA.) CU CONDUCTOR.
2. MARKING:
STAMPED AS BELOW;

CKLL4N
4 AWG
CSA 22 CU
[DATE CODE]
3. HARDNESS:
SOFT TEMPERED.
4. ALL DIMENSIONS ARE FOR REFERENCE ONLY.

L877	CKLL4N	1098099-1
OH SPEC.	CATALOG NO.	PART NO.

THIS DRAWING IS A CONTROLLED DOCUMENT.		DWN D. MURUGIAH 19NOV2008	Tyco Electronics Corporation Markham, ON L3R-1E1													
DIMENSIONS: INCHES		CHK A. BULZA 21NOV2008	NAME													
TOLERANCES UNLESS OTHERWISE SPECIFIED:		APVD B. JOHNSON 21NOV2008	COPPER COMPRESSION LUG, #4 AWG STD STR COPPER CONDUCTOR TO ONE HOLE NEMA PAD													
MATERIAL ETP COPPER		FINISH NONE	PRODUCT SPEC -	APPLICATION SPEC -												
<table border="1"> <tr> <td>0 PLC</td><td>±</td></tr> <tr> <td>1 PLC</td><td>±</td></tr> <tr> <td>2 PLC</td><td>±</td></tr> <tr> <td>3 PLC</td><td>±</td></tr> <tr> <td>4 PLC</td><td>±</td></tr> <tr> <td>ANGLES</td><td>±</td></tr> </table>		0 PLC	±	1 PLC	±	2 PLC	±	3 PLC	±	4 PLC	±	ANGLES	±	WEIGHT -	SIZE A3	CAGE CODE 00779
0 PLC	±															
1 PLC	±															
2 PLC	±															
3 PLC	±															
4 PLC	±															
ANGLES	±															
CUSTOMER DRAWING			DRAWING NO C-1098099	RESTRICTED TO -												
SCALE NTS			SHEET 1 OF 1	REV A												