

THIS DRAWING IS UNPUBLISHED.

RELEASED FOR PUBLICATION

,19

© COPYRIGHT 19

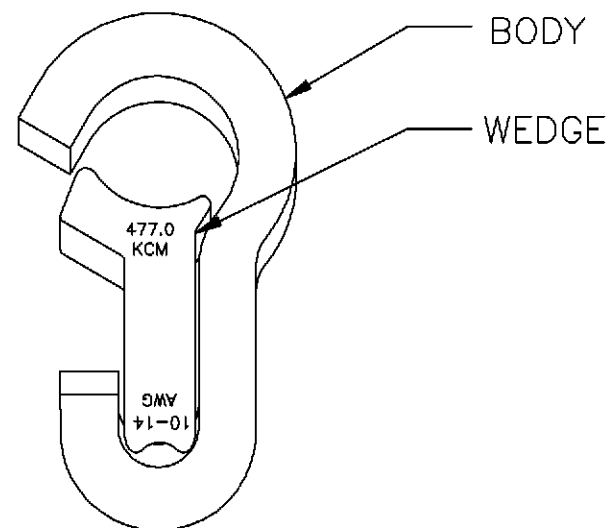
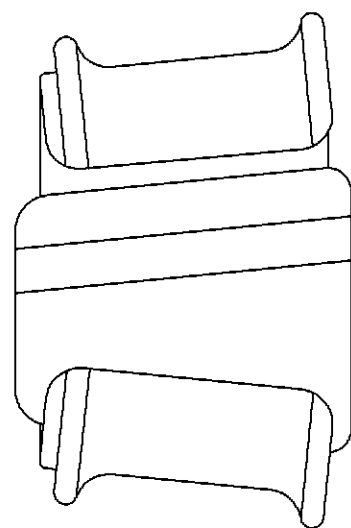
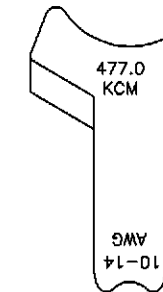
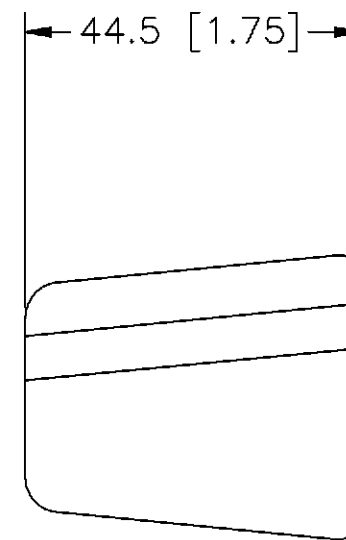
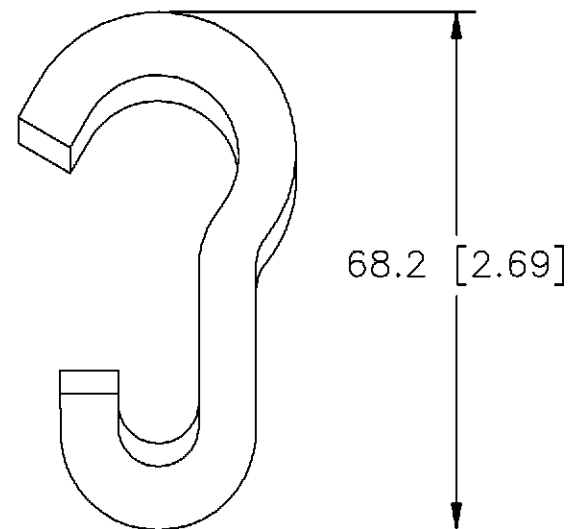
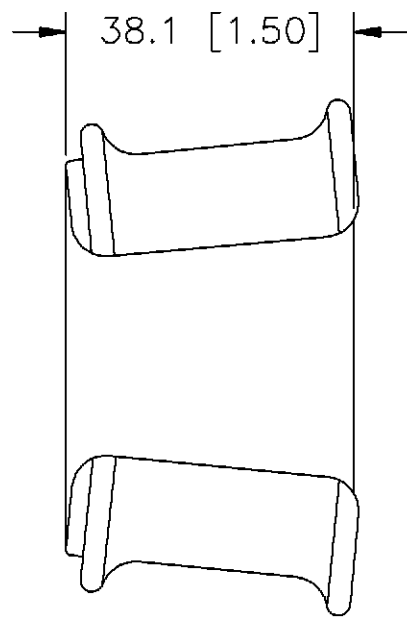
BY AMP INCORPORATED. ALL RIGHTS RESERVED.

LOC
BG

DIST
1

REVISIONS

P	LTR	DESCRIPTION	DATE	DWN	APVD
	01	REVISED, REDRAWN PER EC LC00-0010-98	25JUN98	MC	JH



1. DIMENSIONS ARE FOR REFERENCE ONLY.
2. INHIBITOR IS APPLIED AT FACTORY TO GROOVES OF BODY AND WEDGE.
3. USE RED CARTRIDGE PART NO. 69338-2.

ALUM. ALLOY	ALUM. ALLOY	109343
WEDGE QTY: 1	'C' BODY QTY: 1	PART NO.

<small>THIS DRAWING IS A CONTROLLED DOCUMENT FOR AMP INCORPORATED. IT IS SUBJECT TO CHANGE AND THE CONTROLLING ENGINEERING ORGANIZATION SHOULD BE CONTACTED FOR THE LATEST REVISION.</small>		DRAWN BY: 25JUN98 M CHOW	AMP AMP of Canada Ltd Markham, Ontario
DIMENSIONS: mm [INCHES]		CHECKED BY: 29JUN98 J HANNA	
<small>TOLERANCES UNLESS OTHERWISE SPECIFIED:</small>		APPROVED BY: 30JUN98 B JOHNSON	NAME CONNECTOR, STREET LIGHT 477.0 AAC TO #10-#14 RED CODED, AMPACT
		PRODUCT SPEC -	
MATERIAL SEE CHART		APPLICATION SPEC -	SIZE A3
FINISH -		WEIGHT .08 KG	CAGE CODE 00779
		CUSTOMER DRAWING	DRAWING NO 109343
			RESTRICTED TO -
			SCALE 1:1 SHEET 1 OF 1 REV 01