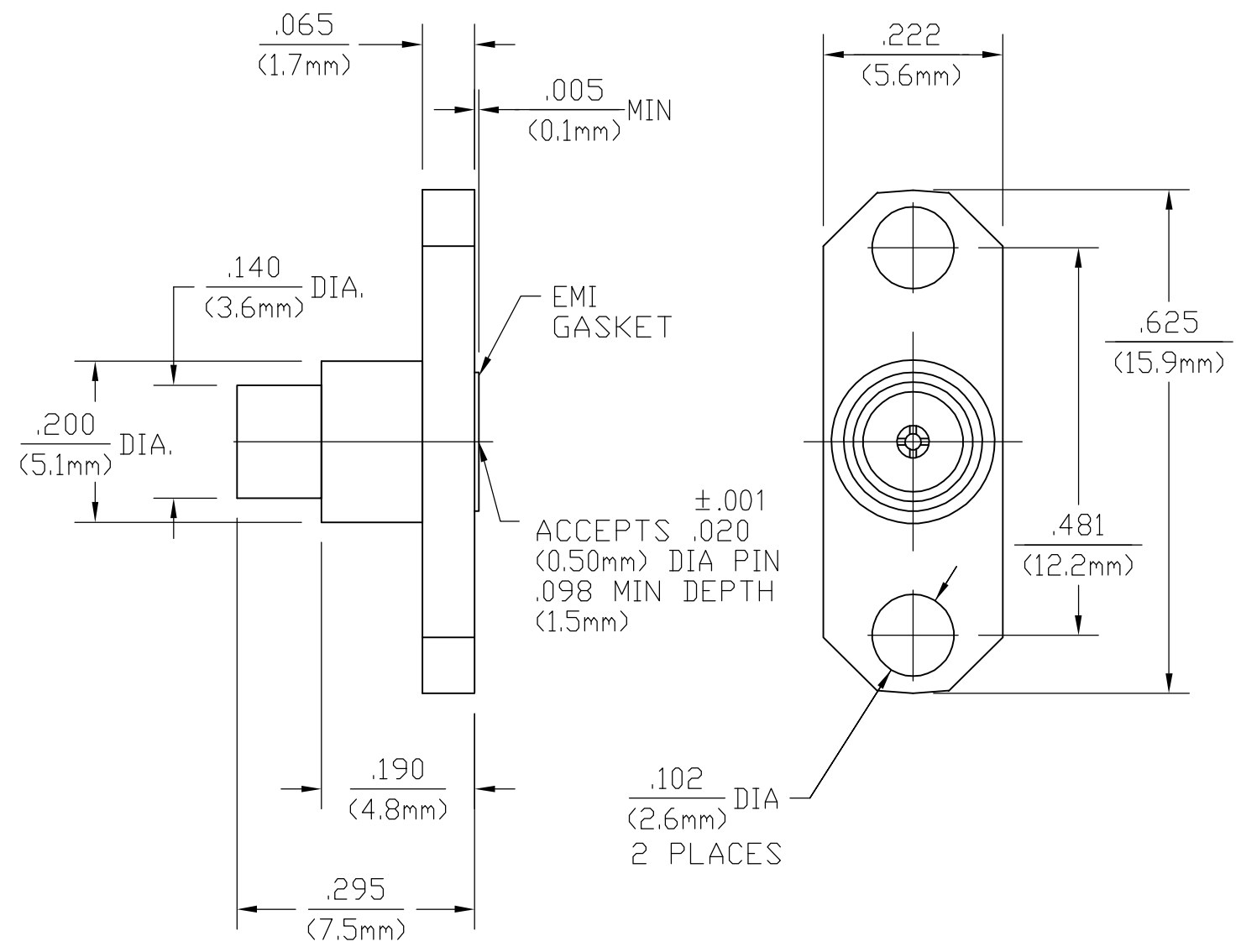


THIS DRAWING IS UNPUBLISHED. RELEASED FOR PUBLICATION
 © COPYRIGHT - BY TYCO ELECTRONICS CORPORATION. ALL RIGHTS RESERVED.

LOC	DIST	REVISIONS					
AJ	17	P	LTR	DESCRIPTION	DATE	DWN	APVD
		C		REVISED PER EC OS14-0178-05	07JUN05	BM	KW

1. CAPTURED CENTER CONTACT
2. DESIGNED FOR USE WITH .085 SEMI-RIGID CABLE



CABLE ENTRY DIAMETERS MINIMUM	
HOUSING	.089
CONTACT	.021

COMPONENT	MATERIAL	FINISH
HOUSING	STAINLESS STEEL PER ASTM-A484 AND ASTM-A582, TYPE 303	GOLD PLATE PER MIL-G-45204 OVER NICKEL PLATE PER QQ-N-290
DIELECTRIC	TFE FLUOROCARBON ASTM-D-1457	N/A
CENTER CONTACT	BERYLLIUM COPPER PER ASTM B 196, ALLOY C17300, CONDITION H	GOLD PLATE PER MIL-G-45204 OVER NICKEL PLATE PER QQ-N-290
GASKET	CONDUCTIVE ELASTOMERS PER MIL-G-83528	N/A

THIS DRAWING IS A CONTROLLED DOCUMENT.		DWN G.D.D. 9/21/92	Tyco Electronics Corporation Harrisburg, Pa 17105-3608	
DIMENSIONS: INCHES		CHK -	NAME	
		APVD G.D.D. 9/21/92	FIELD REPLACEABLE 2 HOLE FLANGE MOUNT CABLE JACK RECEPTACLE DIRECT SOLDER ATTACHMENT	
TOLERANCES UNLESS OTHERWISE SPECIFIED:		PRODUCT SPEC -	SIZE	RESTRICTED TO
0 PLC ± -	1 PLC ± -	APPLICATION SPEC -	CAGE CODE	
2 PLC ± -	3 PLC ± .005	WEIGHT -	DRAWING NO	
4 PLC ± -	ANGLES ± 1'		A300779	C-1063681
MATERIAL -	FINISH -	CUSTOMER DRAWING		SCALE 5:1 SHEET 1 OF 1 REV C