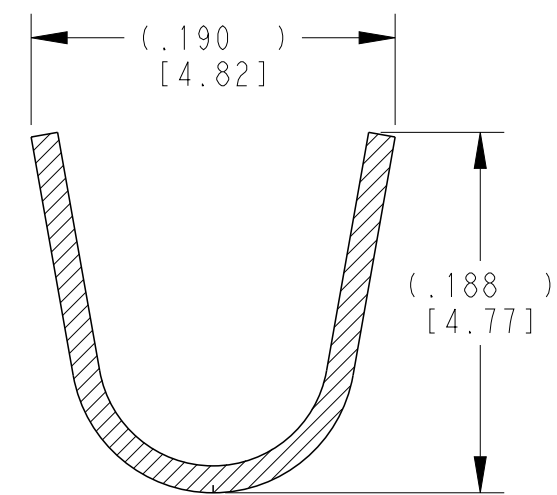
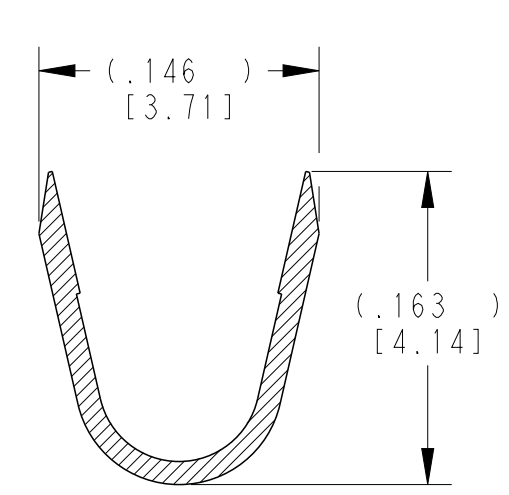
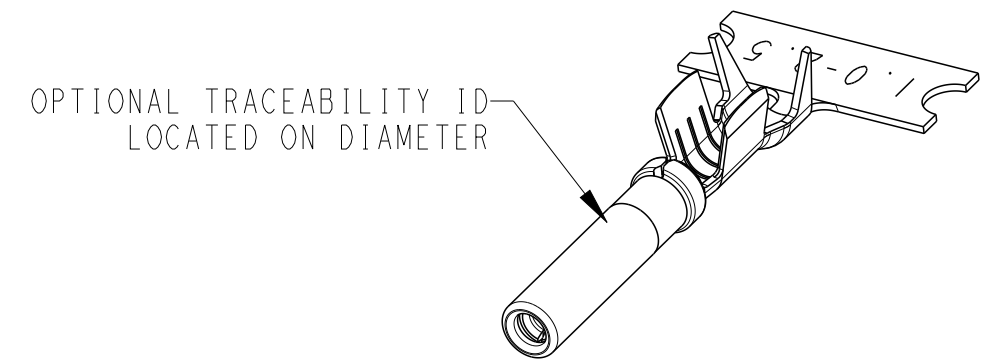
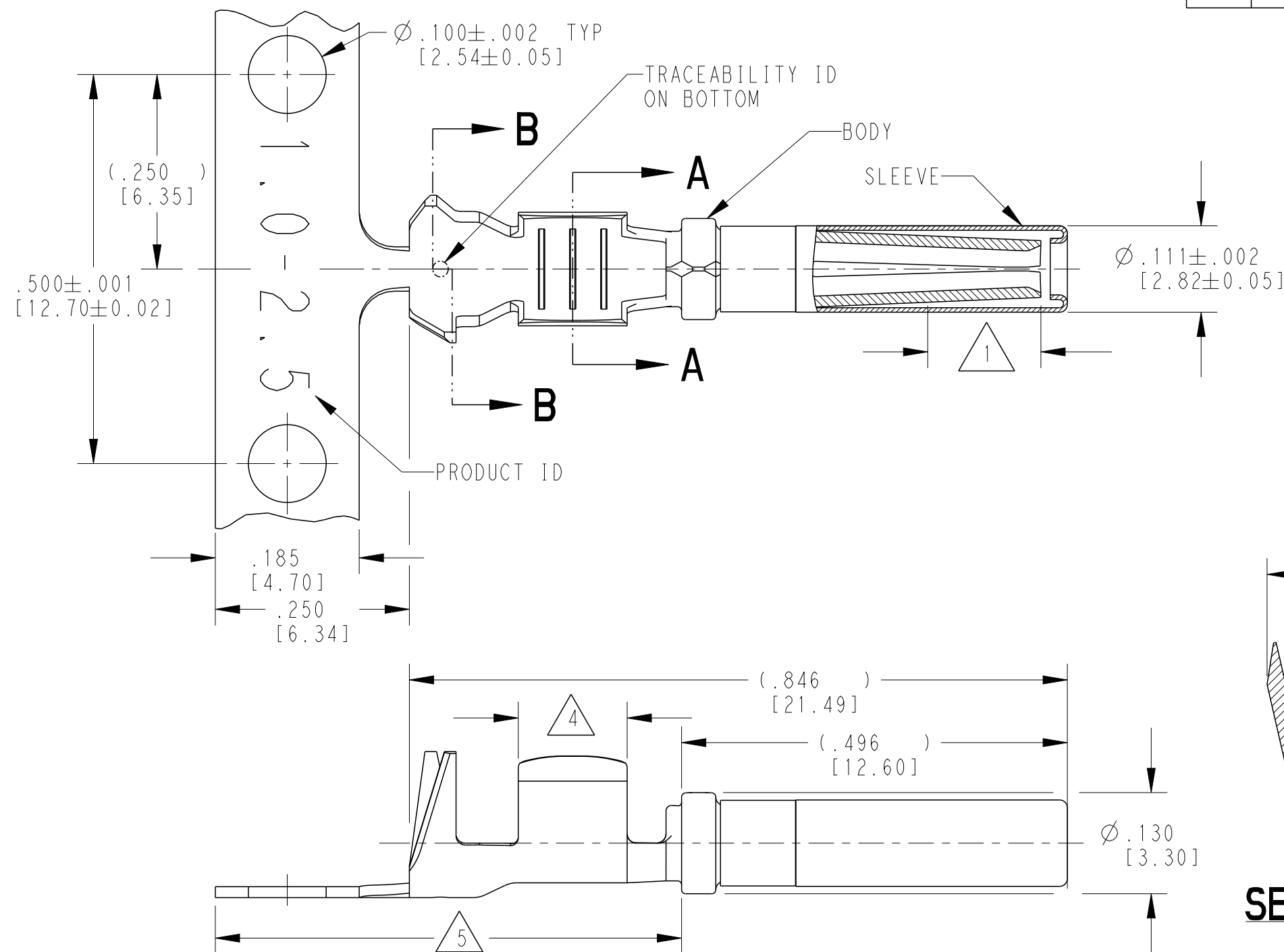


LOC	DIST	REVISIONS			
P	LTR	DESCRIPTION	DATE	DWN	APVD
	C	REVISED PER ECO-15-007761	28MAY2015	RL	DM
	D	REVISED PER PCN E-20-008101	12JUN2020	DM	DM
	D1	REVISED PER PCN-22-157823	12OCT2022	SP	DM



- 5 TIN MAY BE IN THIS REGION.
- 4 TIN PLATED REGION.
- 3 MATERIAL:  
BODY: .014 [0.36] THICK COPPER ALLOY  
SLEEVE: STAINLESS STEEL
- 2. WIRE RANGE: 16 AWG TO 12 AWG [1.0-2.5 mm<sup>2</sup>]  
INSULATION RANGE: Ø.075-.140 [Ø1.91-3.56]
- 1 GOLD PLATED REGION.

NOTES: UNLESS OTHERWISE SPECIFIED

TE INTERNAL PN	DEUTSCH PN	PLATING
1062-16-1222	1062-16-1222	Ni/Cu overall, Sn/Ni/Cu Wire Barrel
1062-16-1244	1062-16-1244	Selective Au, Ni/Cu overall, Sn/Ni/Cu Wire Barrel
1062-16-1277	1062-16-1277	Sn/Ni/Cu overall

THIS DRAWING IS A CONTROLLED DOCUMENT.		DWN 28 JUN 2000 VLADIMIR TOMSA	<b>TE</b> TE Connectivity		
DIMENSIONS: mm [INCHES]		CHK 14 MAR 2002 BRICE BYFORD			
TOLERANCES UNLESS OTHERWISE SPECIFIED:		APVD 14 MAR 2000 ROBIN REED	NAME SOCKET, STAMPED AND FORMED SIZE 16 12-16AWG		
0 PLC ± 1 PLC ± 2 PLC ± 3 PLC ±.025 [0.64] 4 PLC ± ANGLES ±		PRODUCT SPEC 108-151000	SIZE A3	CAGE CODE 4AFU8	DRAWING NO C=1062-16-12XX
MATERIAL 3		FINISH SEE TABLE	WEIGHT 0.50 g	RESTRICTED TO -	SCALE 6:1
Customer Drawing			SHEET 1 OF 1	REV D1	