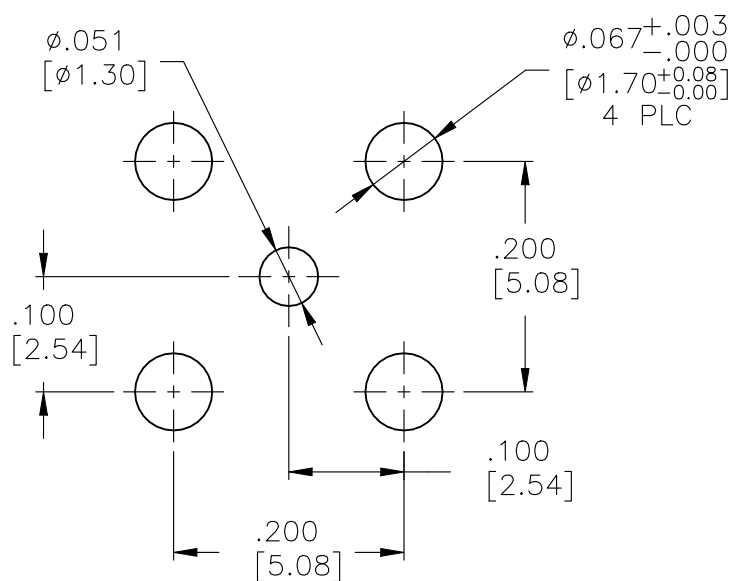
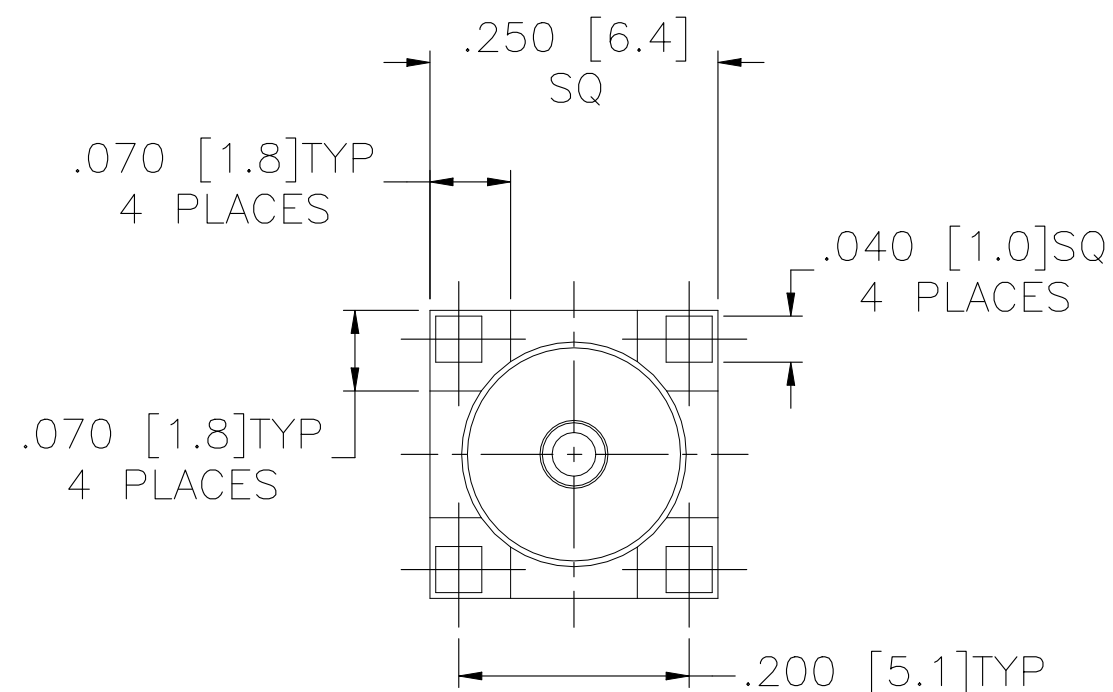
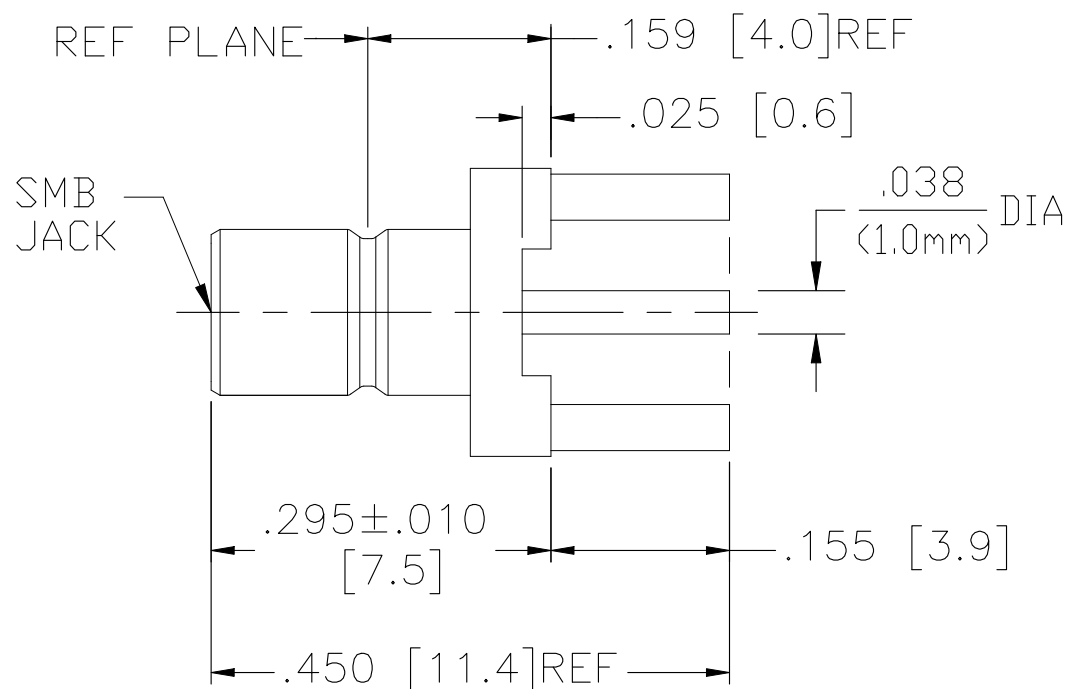


REVISIONS				
P	LTR	DESCRIPTION	DATE	APVD
	C1	REVEISED PER ECR-21-118469	25OCT2021	RZ WK

1. CAPTURED CENTER CONTACT.

2. Au 30u" MIN;

3. Au 2u" MIN;



RECOMMENDED PCB LAYOUT

1406675-3	3	1406924-1	1406069-3	3	1060455-3
1406675-2	2	1406924-1	1406069-2	2	1060455-1
3	CONTACT QTY=1	2	DIELECTRIC QTY=1	1	HOUSING QTY=1
					PART NUMBER

THIS DRAWING IS A CONTROLLED DOCUMENT.		DWN J. HAVENER 25JUL2002	STE TE Connectivity		
		CHK J. HAVENER 25JUL2002			
DIMENSIONS: INCHES		APVD K. WEIDNER 25JUL2002	NAME [mm]		
TOLERANCES UNLESS OTHERWISE SPECIFIED:		PRODUCT SPEC	SMB SNAP-ON PCB STRAIGHT JACK RECEPTACLE TERMINAL		
0 PLC ± -		APPLICATION SPEC	SIZE	CAGE CODE	DRAWING NO
1 PLC ± -			A300779		C=1060455
2 PLC ± -		WEIGHT	0		RESTRICTED TO
3 PLC ± .005[0.13]		CUSTOMER DRAWING			
4 PLC ± -		SCALE		SHEET 1 OF 1	
ANGLES ± 1°		REV		C1	
MATERIAL -		FINISH -			